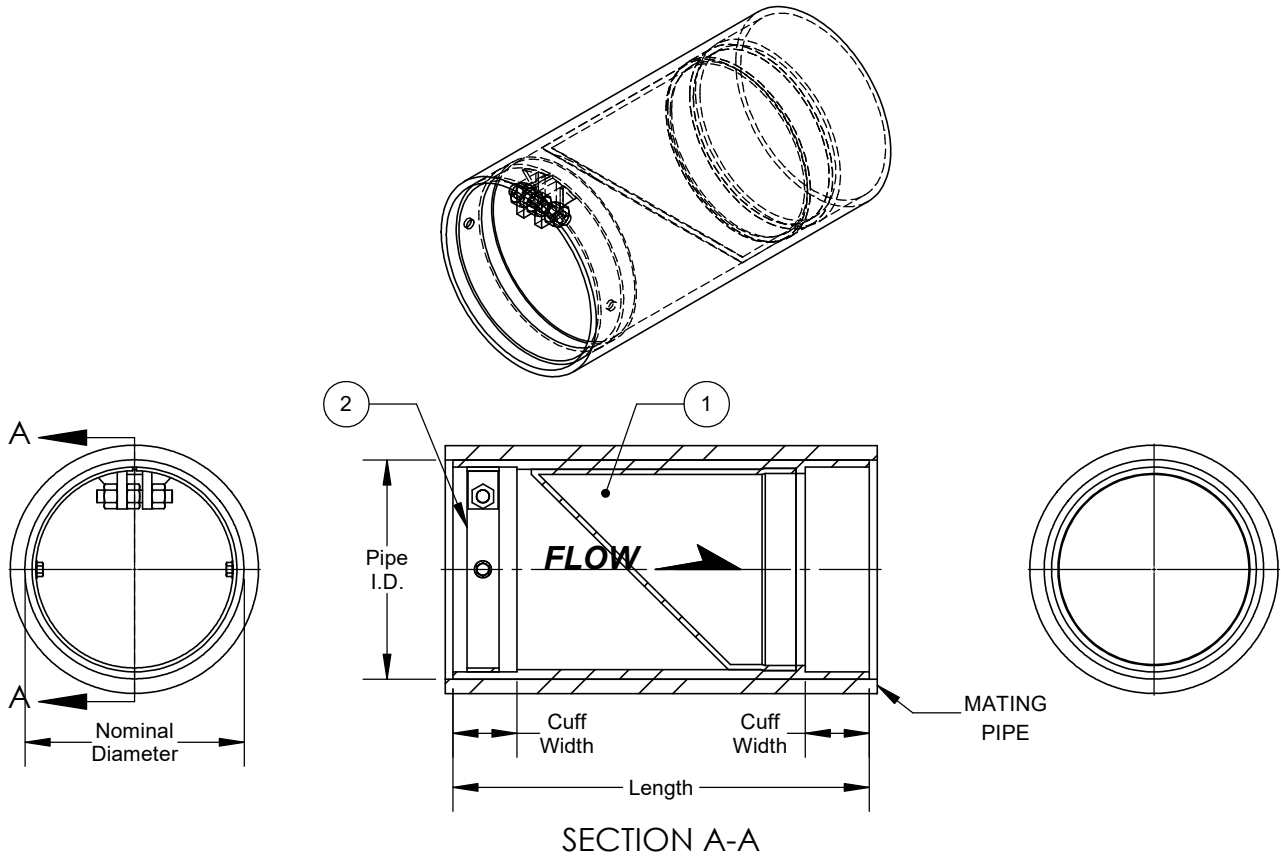


1

6



Notes:

- 1. Dimensions are approximate and may change due to pipe dimension, inlet pressure, back pressure and flow rates.
- 2. Installation, Operation & Maintenance Manuals contact measurit: info@measurit.com

Bill of Materials

Item No.	Description	Material
1	CheckFlex CF-IL-G5: In-Line Check Valve	DDB (EE, NN, NSF, PP, NR, VV)
2	Internal Expandable Clamp	DDB (304 SS, 316 SS)

Nominal Diameter	Qty.	Pipe I.D.	Clamp Installation Position	Standard Valve Dimensions		Flow Data				Approx. Weight
				Cuff Width	Length	Flow Media	Max. Flow Rate	Max. Flow Velocity	Line Pressure	
in. (mm)				in. (mm)	in. (mm)					lbs (kgs)
16.0 (400)				3.94 (100)	29.0 (737)					115 (52.17)

Elastomer Material Code	Cover Elastomer	Tube Elastomer	Maximum Operating Temperature
			°F (°C)
EE	EPDM	EPDM	250 (121)
NN	NEOPRENE	NEOPRENE	225 (107)
NN-NSF61	ANSI/NSF 61 NEOPRENE	ANSI/NSF 61 NEOPRENE	225 (107)
PP	NITRILE	NITRILE	225 (107)
NR	NEOPRENE	NATURAL RUBBER	180 (82)
VV	VITON	VITON	250 (121)

400mm Check-Flex Inline Valve Gen5

CF-IL-G5-S0400-NN-316-IDP

PROJECT NOTES:

PROJECT NAME:

CUSTOMER:

SIZE A	SCALE NTS	DRAWING No.	SHEET 1 OF 1
-----------	--------------	-------------	-----------------

EMAIL: info@measurit.com
 PHONE: (IRL) 01 484 7832, (UK) 020 3946 3242
 WWW.MEASURIT.COM

CF-IL-G5-S0400-NN-316-IDP

C

F

I

L

G

5