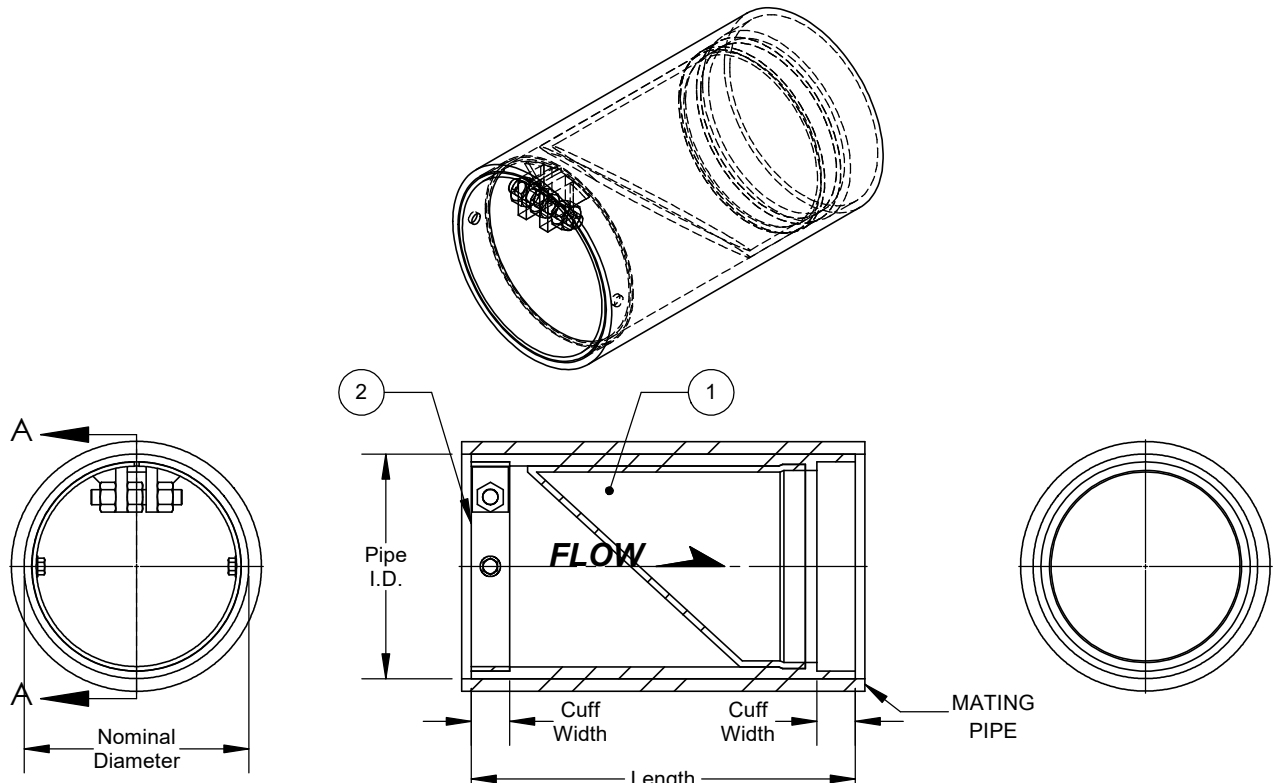


1

2



SECTION A-A


Notes:
 1. Dimensions are approximate and may change due to pipe dimension, inlet pressure, back pressure and flow rates.
 2. Installation, Operation & Maintenance Manuals contact measurit: info@measurit.com

| Bill of Materials | | |
|-------------------|---|-------------------------------|
| Item No. | Description | Material |
| 1 | CheckFlex CF-IL-G5: In-Line Check Valve | DDB (EE, NN, NSF, PP, NR, VV) |
| 2 | Internal Expandable Clamp | DDB (304 SS, 316 SS) |

| Nominal Diameter | Qty. | Pipe I.D. | Clamp Installation Position | Standard Valve Dimensions | | Flow Data | | | | Approx. Weight |
|------------------|------|-----------|-----------------------------|---------------------------|------------|------------|----------------|--------------------|---------------|----------------|
| | | | | Cuff Width | Length | Flow Media | Max. Flow Rate | Max. Flow Velocity | Line Pressure | |
| in. (mm) | | | | in. (mm) | in. (mm) | | | | | lbs (kgs) |
| 12.0 (300) | | | | 1.97 (50) | 20.0 (508) | | | | | 35 (15.88) |

| Elastomer Material Code | Cover Elastomer | Tube Elastomer | Maximum Operating Temperature |
|-------------------------|----------------------|----------------------|-------------------------------|
| | | | °F (°C) |
| EE | EPDM | EPDM | 250 (121) |
| NN | NEOPRENE | NEOPRENE | 225 (107) |
| NN-NSF61 | ANSI/NSF 61 NEOPRENE | ANSI/NSF 61 NEOPRENE | 225 (107) |
| PP | NITRILE | NITRILE | 225 (107) |
| NR | NEOPRENE | NATURAL RUBBER | 180 (82) |
| VV | VITON | VITON | 250 (121) |

300mm Check-Flex Inline Valve Gen5

 **Measurit**

CF-IL-G5-S0300-NN-316-IDP

PROJECT NOTES:

PROJECT NAME:

CUSTOMER:

| | | | |
|-----------|--------------|-------------|-----------------|
| SIZE A | SCALE NTS | DRAWING No. | SHEET 1 OF 1 |
|-----------|--------------|-------------|-----------------|

EMAIL: info@measurit.com
 PHONE: (IRL) 01 484 7832, (UK) 020 3946 3242
 WWW.MEASURIT.COM

CF-IL-G5-S0300-NN-316-IDP

C

F

I

L

G

5