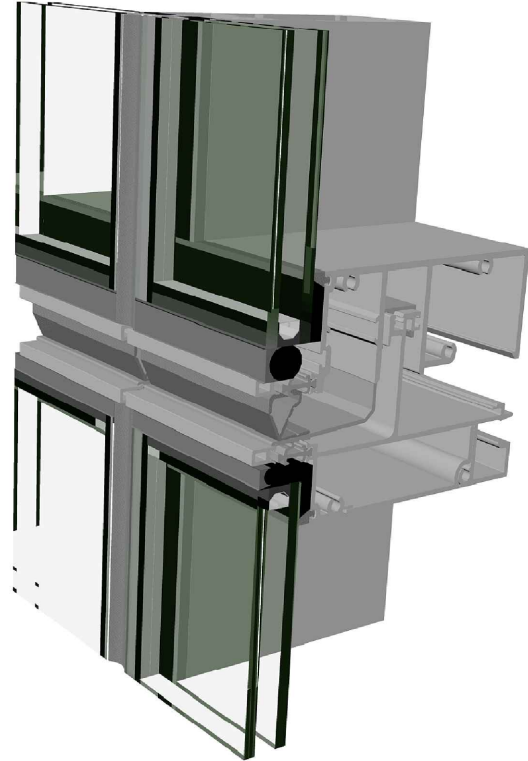


# 6500 Series Unitized Arctic Curtain Wall System

The 6500 Arctic Curtain Wall from Oldcastle BuildingEnvelope® is developed as a fully unitizable system meeting the demands for more stringent thermal performance criteria. This unitized system is a factory assembled, sealed and glazed product offered both Captured and Structural Silicone Glazed options with various infill flexibility. The framing design features two lines of defense, or rain screen approach, for superior air and water resistance. One of the outstanding benefits is the assembly and glazing of the unit frames under factory controlled conditions, reducing field labor and minimal reliance on site applied seals. This system is also designed to be installed from inside the building, which facilitates frame installation and eliminates the need for staging equipment.

This system is able to meet the design conditions of the American Society of Heating, Refrigerating and Air-Conditioning Engineers (ASHRAE) climate zones 1-8.

Contact your Oldcastle BuildingEnvelope® representative for available system depths and glazing thicknesses. This system accommodates our high-performance thermal door system as well as operable vents.



6500 SERIES UNITIZED ARCTIC CURTAIN WALL UNIT SYSTEM

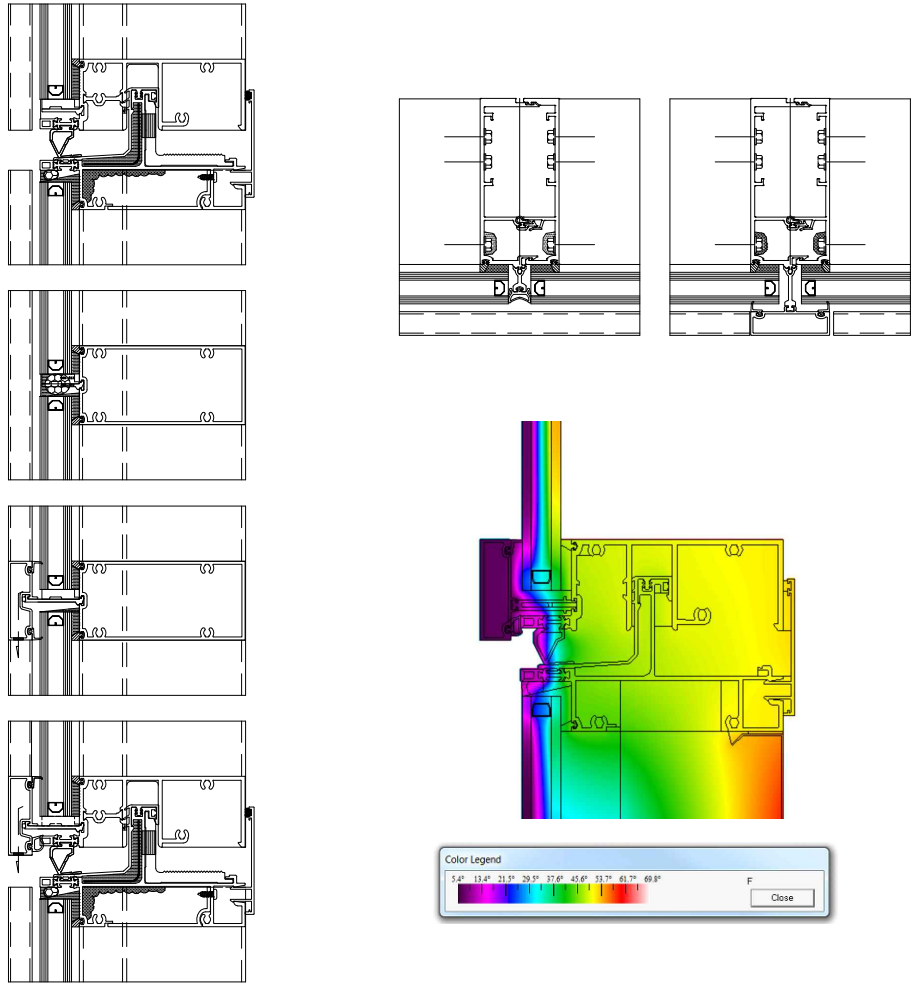
## Features

- Overall system dimensions:  
2-1/2" x 5-1/4" for 1" glazing
- Captured and SSG mullions
- ± 3/4" total allowable vertical movement per floor
- Installed from floor slab; staging not required
- Glass, metal panel and stone spandrel infill flexibility
- Shadow box spandrel panel option
- Full rain screen design
- Superior thermal separation
- Enhanced acoustical properties
- Accommodates 2020 and 2000 series operable windows
- Accommodates thermal door system for superior thermal performance over the entire building envelope
- Factory assembled, sealed and glazed
- Reduced shop and field labor
- Standardized detailing and components
- Dual finish capability
- Accepts steel reinforcing for various structural requirements



**Oldcastle** BuildingEnvelope®

Details



Standard Details

Performance

- Air Infiltration: <math><0.15 \text{ L/sec/m}^2 \text{ @ } 300 \text{ Pa}</math> (0.03 CFM/sqft @ 6.24 PSF) per ASTM E283
- Static Water: 720 Pa (15 PSF) per ASTM E331
- Dynamic Water: 720 Pa (15 PSF) per AAMA 501.1
- Deflection Load: 3.0 KPa (62.4 PSF) per ASTM E330
- Structural Load: 4.5 KPa (93.6) PSF per ASTM E330
- Seismic: Three levels of deflection per AAMA 501.4
- Horizontal Inter-Story Drift: 19 mm (3/4") movement per AAMA 501.4
- Vertical Inter-Story Drift: 19 mm (3/4") movement per AAMA 501.7
- Overload Horizontal Inter-Story Drift: 38 mm (1 1/2") movement per AAMA 501.4
- Thermal Performance Characteristics per AAMA 507