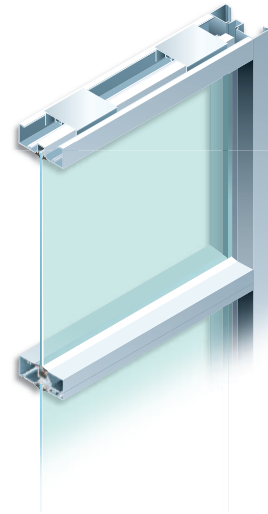


Standard Flush Glaze Storefront Systems— a wide range of storefront framing systems for efficient installation

Oldcastle BuildingEnvelope™ offers a complete line of storefront framing systems to **meet just about any storefront application and condition**. The Series 1000 is 1-3/4" x 4", and the Series 2000 is 1-3/4" x 4-1/2". Both are designed for 1/4" glazing but are **easily adapted to 5/16" or 3/8" infills**. The Series 3000 (2" x 4-1/2") is designed for 1" glazing and is adaptable to many different infills ranging from 1/4" to 1-1/8".



St. Benedict's Medical Arts Building, Ogden, UT
Architect: Babcock Design Group

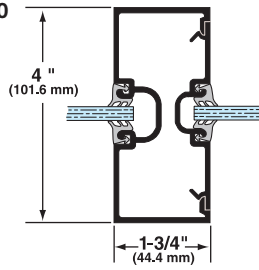
Features

- Three different assembly methods: Screw Spline, Shear Block and Stacking
- Tested by independent laboratories:
 - Air Infiltration: <.06 allowable at 6.24 PSF
 - Water Resistance: 10 PSF
- Door framing components
- Sidelite bases to match door bottom rails
- Multiple corner post configurations
- Adjustable and 135° mullion
- Anodized or painted finishes

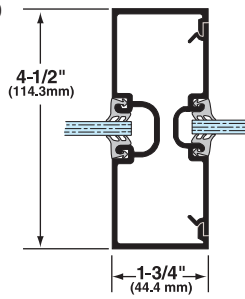


Details

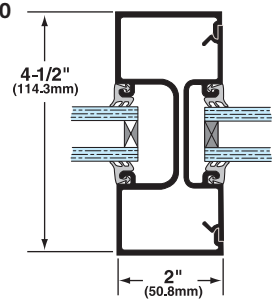
FG-1000



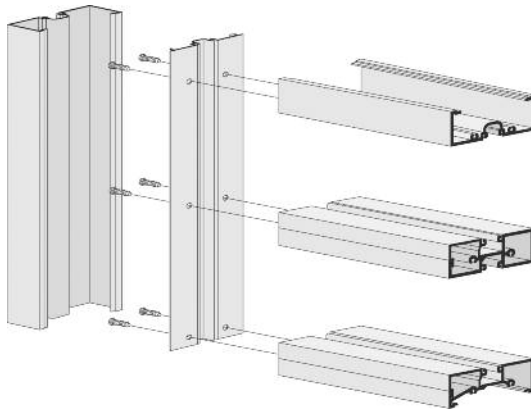
FG-2000



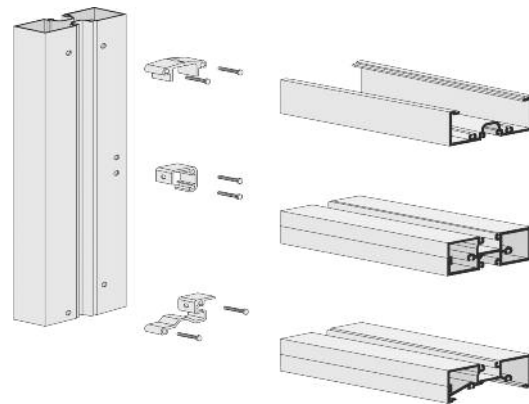
FG-3000



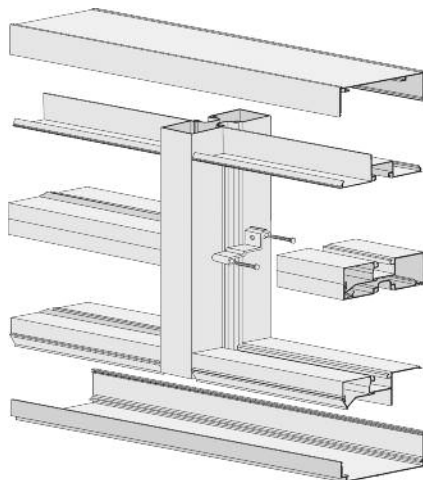
Screw Spline Assembly



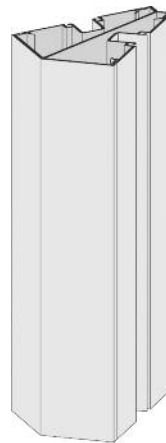
Shear Block Assembly



Stack Assembly



135° Corner



Adjustable Mullion

