



# **RELIANCE™ CASSETTE 4-SIDED STRUCTURALLY GLAZED CURTAIN WALL**

## *INSTALLATION AND GLAZING MANUAL*

## TABLE OF CONTENTS

<b>General Information</b> .....	<b>Pages 3-5</b>
Product Use .....	Page 3
Protection and Storage .....	Page 3
Check Material .....	Page 4
Field Conditions .....	Page 4
Cleaning Materials .....	Page 4
Expansion Joints .....	Page 4
Suggestions for Improving System Thermal Performance.....	Page 5
3M and Silicone Supplier Instructions.....	Page 5
<b>System Configurations</b> .....	<b>Page 6</b>
<b>Installation Types</b> .....	<b>Page 7</b>
<b>General Sealant Instructions - Barrier Seal</b> .....	<b>Page 8</b>
<b>General Sealant Instructions - Dual Seal w/ Spandrel Backpans</b> .....	<b>Page 9</b>
<b>Section 1: Frame Fabrication</b> .....	<b>Pages 10-11</b>
Measuring Opening.....	Page 10
Cutting Material.....	Page 10
Typical Glass Bites.....	Page 11
<b>Section 2: VHB Cassette Assembly, Glazing &amp; Installation</b> .....	<b>Pages 12-30</b>
VHB Cassette Fabrication .....	Page 13
VHB Cassette Assembly .....	Page 14
VHB Cassette Cleaning and Priming .....	Page 15
VHB Tape Application .....	Pages 15-16
VHB Cassette Glazing.....	Pages 17-19
VHB Cassette Unit Installation .....	Pages 20-21
VHB Cassette Expansion Horizontal Fabrication .....	Pages 22-23
VHB Cassette Expansion Horizontal Assembly .....	Pages 24-25
VHB Cassette Expansion Horizontal Unit Installation .....	Page 26
VHB Cassette 90° Outside Corner Detail .....	Pages 27-28
VHB Cassette 90° Inside Corner Detail .....	Pages 29-30
<b>Section 3: SSG Cassette Assembly, Glazing &amp; Installation</b> .....	<b>Pages 31-47</b>
SSG Cassette Fabrication .....	Page 32
SSG Cassette Assembly .....	Page 33
SSG Cassette Cleaning and Priming .....	Page 34
SSG Spacer Tape Application .....	Page 34
SSG Cassette Glazing.....	Page 35
SSG Cassette Unit Installation .....	Pages 36-38
SSG Cassette Expansion Horizontal Fabrication .....	Pages 39-40
SSG Cassette Expansion Horizontal Assembly .....	Pages 41-42
SSG Cassette Expansion Horizontal Unit Installation .....	Page 43
SSG Cassette 90° Outside Corner Detail .....	Pages 44-45
SSG Cassette 90° Inside Corner Detail .....	Pages 46-47
<b>Section 4: Perimeter Closure Installation &amp; Captured Installation</b> .....	<b>Pages 48-55</b>
Perimeter Closure Installation .....	Page 49
Perimeter Closure Sealing .....	Page 50
Captured Perimeter Installation .....	Page 51
Captured Perimeter Sealing .....	Page 52
Captured Perimeter Pressure Plate & Face Cap Installation .....	Page 53
Captured Intermediate Glazing & Installation .....	Pages 54-55
<b>Section 5: Cassette Transition Installation</b> .....	<b>Pages 56-58</b>
<b>Section 6: Entrance Installation</b> .....	<b>Page 59</b>
<b>Section 7: Parts List</b> .....	<b>Pages 60-63</b>

## GENERAL INFORMATION

### PRODUCT USE

The **Reliance™ Cassette** curtain wall system is intended for installation by glazing professionals with appropriate experience. Subcontractors without experience should employ a qualified person to provide field instruction and project management.

Oldcastle BuildingEnvelope® does not control the application or selection of its product configurations, sealant or glazing material and assumes no responsibility thereof. It is the responsibility of the owner, architect and installer to make these selections in strict compliance with applicable laws and building codes.

**Consult sealant manufacturer for review and recommendation of sealant application. Follow sealant manufacturer's recommendations and literature for proper installation.**

The air and water performance of the **Reliance™ Cassette** curtain wall system is directly related to the completeness and integrity of the installation process. To ensure top performance for this system, particular attention should be given the following procedures:

1. Surfaces to be sealed should be cleaned with isopropyl alcohol or solvent and dried as recommended by sealant manufacturer to remove all dirt and cutting oils. Sealant at shear blocks should be a minimum 3/16" diameter nominal placed completely around the top, face and bottom of the shear block without gaps in the sealant. Exposed surfaces should be cleaned after installing the horizontal. Inspect joint for complete sealant contact, especially where the horizontal meets the face of the vertical member. Repair joint as required.
2. The interior glazing gasket should be installed so as to avoid stretching, buckles or tears. Corners must be cut square, sealed and butted together. To avoid damage to gasket and corner joints during glazing, glass should be level and straight during installation.
3. Vertical movement of mullion at intermediate floors requires special expansion joints and glazing materials. See pages 24 & 25 (VHB Cassette) or pages 41 & 42 (SSG Cassette) for details which permit 1/4" movement. For designs and applications that may require greater movement or special considerations, please contact your local Oldcastle BuildingEnvelope® facility.

Variations on the details shown are inevitable and are not the responsibility of Oldcastle BuildingEnvelope® when drawn by others. Oldcastle BuildingEnvelope® strongly encourages its customers to utilize Oldcastle BuildingEnvelope® supplied calculations and shop drawings.

For Structural Silicone Glazing applications, the stress on the silicone should not exceed 20 PSI. Consult sealant manufacturer for specific applications to ensure proper loading on silicone joint. Alternate spacer gaskets are available to accommodate larger sealant contact widths. Consult your nearest Oldcastle BuildingEnvelope® facility for assistance.

Consult glass manufacturer for correct setting block location and length for glass sizes in excess of 40 sq. ft.

### PROTECTION AND STORAGE

Handle all material carefully. Do not drop from truck. Stack with adequate separation so the material will not rub together. Store materials off the ground, protecting against the elements and other construction hazards by using a well ventilated covering. Remove material from package if wet or located in a damp area. For further guidelines, consult AAMA publication CW-10, *"Care and Handling of Architectural Aluminum from Shop to Site."*

# RELIANCE™ CASSETTE INSTALLATION MANUAL

## CHECK MATERIAL

Check glass dimensions for overall size as well as thickness. Oldcastle BuildingEnvelope® cannot be held responsible for gaskets that are not water tight due to extreme glass tolerances.

Check all material upon arrival at job site for quality and to determine any shipping damage.

Using the contract documents, completely check the surrounding conditions that will receive your materials. Notify the general contractor by letter of any discrepancies before proceeding with the work. Failure to do so constitutes acceptance of work by other trades.

Check shop drawings, installation instructions, architectural drawings and shipping lists to become familiar with the project. The shop drawings take precedence and include specific details for the project. The installation instructions are of a general nature and cover the most common conditions. Due to varying job conditions, all sealant used must be approved by the sealant manufacturer to ensure it will perform per the conditions shown on the instructions and shop drawings. The sealant must be compatible with all surfaces to which adhesion is required, including other sealant surfaces. Use primers where directed by sealant manufacturer. Properly store sealant at the recommended temperatures and check sealant for remainder of shelf life before using.

## FIELD CONDITIONS

All material to be installed must be plumb, level and true. Aluminum to be placed in direct contact with masonry or incompatible material should be isolated with a heavy coat of zinc chromate, bituminous paint, or non-metallic material.

After sealant is set and a representative amount of the wall has been glazed (250 square feet or more), run a water hose test in accordance with AAMA 501.2 specifications to check installation. On large projects the hose test should be repeated during the glazing operation.

## CLEANING MATERIALS

Cement, plaster terrazzo, alkaline and acid based materials used to clean masonry are very harmful to finishes. Any residue should be removed with water and mild soap immediately or permanent staining may occur. A spot test is recommended before any cleaning agent is used.

## EXPANSION JOINTS

Expansion joints and perimeter joints shown in these instructions and in the shop drawings are shown at nominal size. Actual dimensions may vary due to perimeter conditions and/or differences in metal temperature between the time of fabrication and the time of installation. For example, a 12 foot unrestrained length of aluminum can expand or contract 3/32" over a temperature change of 50° F. Any movement potential should be accounted for at the time of the installation.

# RELIANCE™ CASSETTE INSTALLATION MANUAL

## SUGGESTIONS FOR IMPROVING SYSTEM THERMAL PERFORMANCE

To maintain or improve your wall installation, the following items should be considered:

- A. Blinds or drapes prevent warm air from adequately flowing over the window surface.
- B. Warm air ventilators too far from the window will not adequately wash the window with air to prevent condensation.
- C. In extreme conditions, the fan of the heating system should not cycle on and off, but should run continuously.
- D. Some heating systems have a water injection feature that can raise humidity levels. The higher the humidity levels, the more likely condensation or frost will form. Raising the temperature and reducing humidity will usually solve the problem.
- E. On rare occasions, an extremely cold storm may cause frost to appear on the glass framing. A space heater and electric fan blowing along the plane of the window or wall can reduce or eliminate this temporary condition.

## 3M VHB SGT AND SILICONE MANUFACTURER GUIDELINES

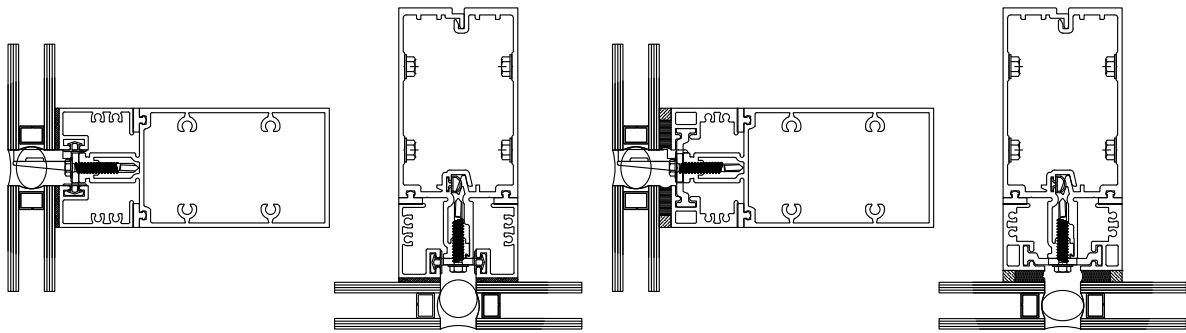
When using any 4-sided cassette product, it is critical to involve 3M or the silicone supplier at the earliest stage of the project as possible. Building loads and glass sizes may be restricted based on structural capabilities of tape or silicone used on project. Supplier must review shop drawings and make recommendations prior to ordering of materials.

When using 3M VHB structural glazing tape, you must involve 3M's technical services to obtain approval, have SOP written for project-specific materials, order materials and schedule training prior to assembling any cassette or window frames.

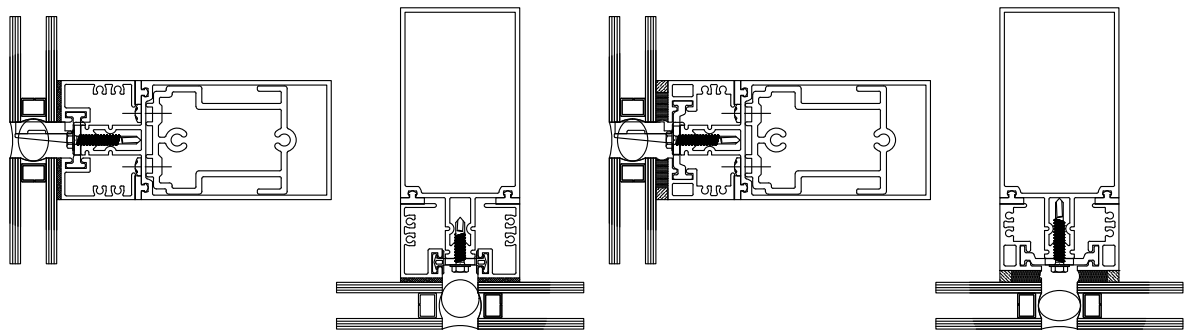
# RELIANCE™ CASSETTE INSTALLATION MANUAL

## SYSTEM CONFIGURATIONS

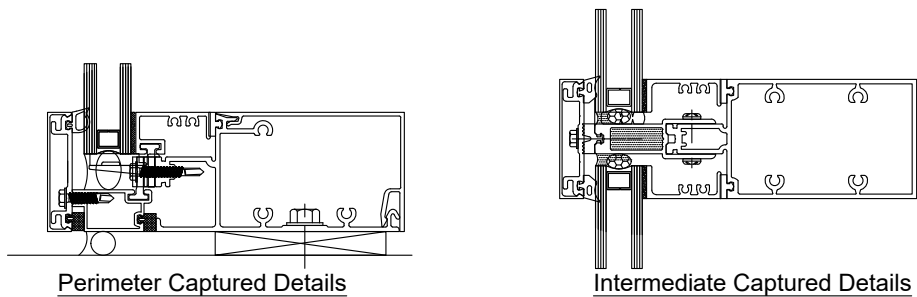
Reliance™ Cassette may be installed on all Reliance exterior glazed curtain wall products. Cassettes may be attached to glass using VHB tape or Silicone. See details below for system details.



Reliance Cassette  
Installed on Reliance-SS



Reliance Cassette  
Installed on Reliance



Perimeter Captured Details

Intermediate Captured Details

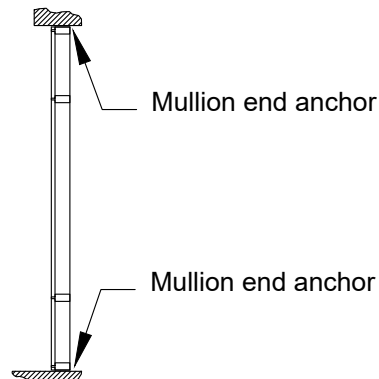
Details in this manual show extrusions for the Reliance™-SS, 6" system. Alternate products and depths are also available. See our website: [www.oldcastle.com/products/curtain-wall/pressure-wall/reliance-cassette](http://www.oldcastle.com/products/curtain-wall/pressure-wall/reliance-cassette) for additional information.

\*Reference Oldcastle BuildingEnvelope® Installation Manuals for information regarding fabrication and installation of the chosen curtain wall system for more additional information.

# RELIANCE™ CASSETTE INSTALLATION MANUAL

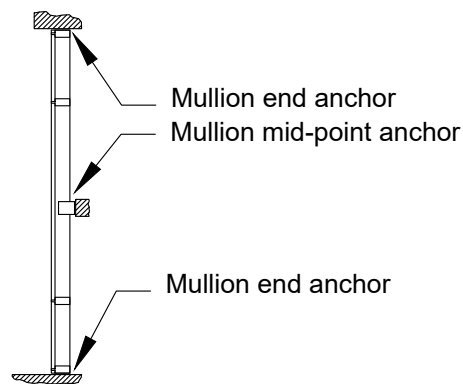
## INSTALLATION TYPES

The following wall sections represent common types of installations for this product. Refer to approved shop drawings for specifics regarding splicing and anchoring of frame.



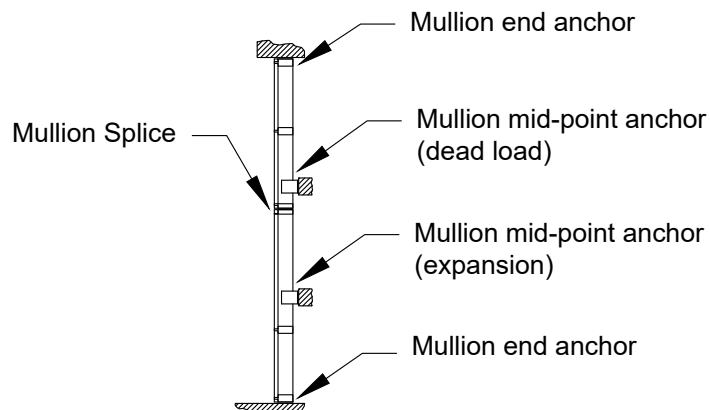
### SINGLE SPAN

Refer to steps 2.1.1 through 2.1.3



### TWIN SPAN

Refer to steps 2.1.4 through 2.1.8



### MULTI-SPAN

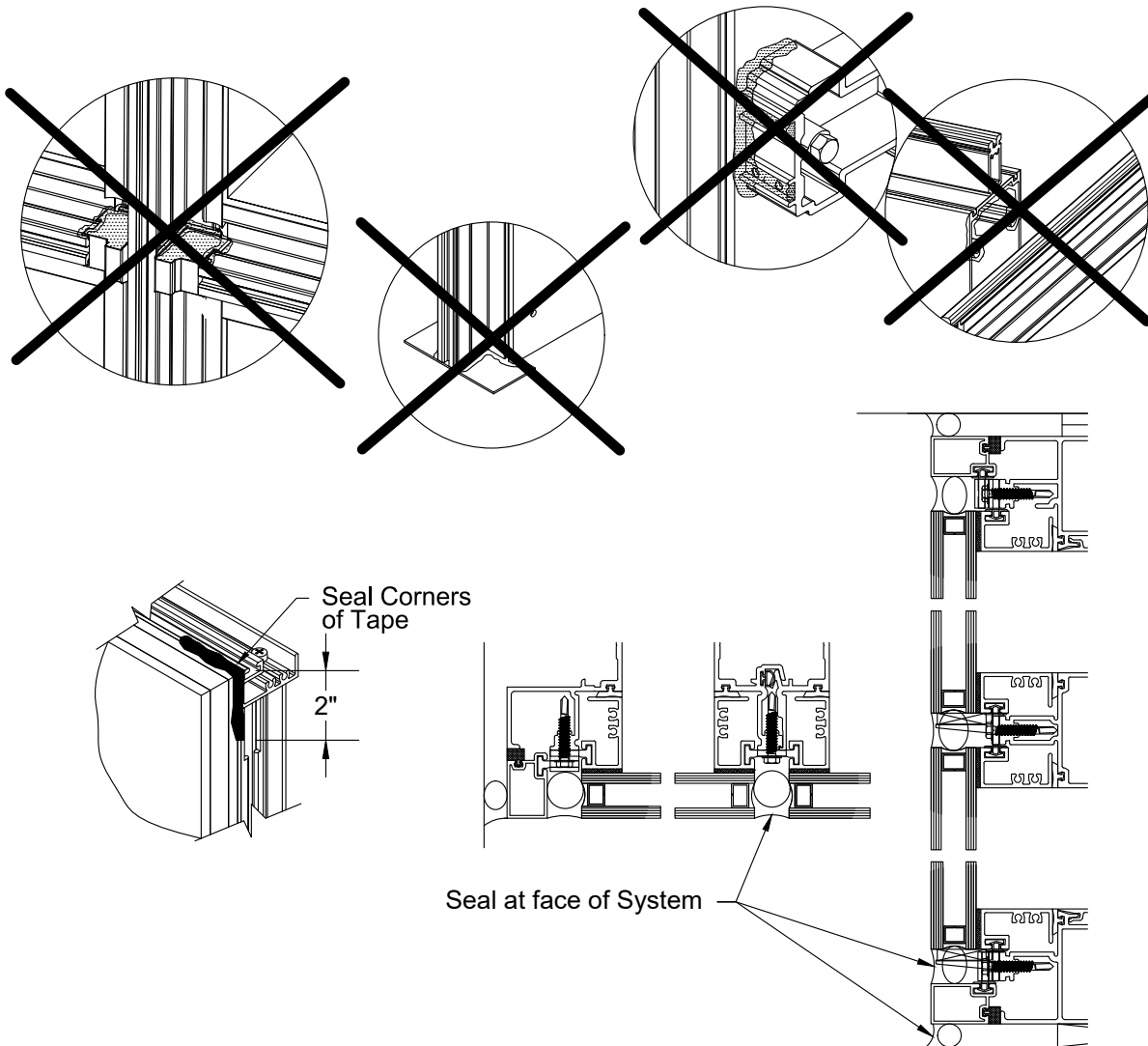
Refer to steps 2.1.9 through 2.1.16

# RELIANCE™ CASSETTE INSTALLATION MANUAL

## GENERAL SEALANT INSTRUCTIONS BARRIER SEAL

The standard installation of Reliance™ Cassette is for a "Barrier Sealed" installation. In this installation the only seals within the curtain wall or cassette wall are to the exterior face of the system. This seal therefore is critical as the single barrier to prevent water infiltration and should be performed by a competent installer. A few of the key points are listed below along with exceptions to the normal installation of the Reliance™ or Reliance™ -SS curtain walls.

- 1.1 Curtain wall will not require any joinery be sealed. It is not required to install mull caps at ends of vertical mullions, zone plugs, cap seal of fasteners or seals between horizontals and verticals.
- 1.2 The cassette frames will not be sealed between the verticals to horizontal connections. The VHB tape will require a seal around each corner.
- 1.3 The exterior seals will be a minimum 3/4 " wide between all lites of glass and between ends of perimeter closures. These seals will marry directly into the perimeter seal of the framing.



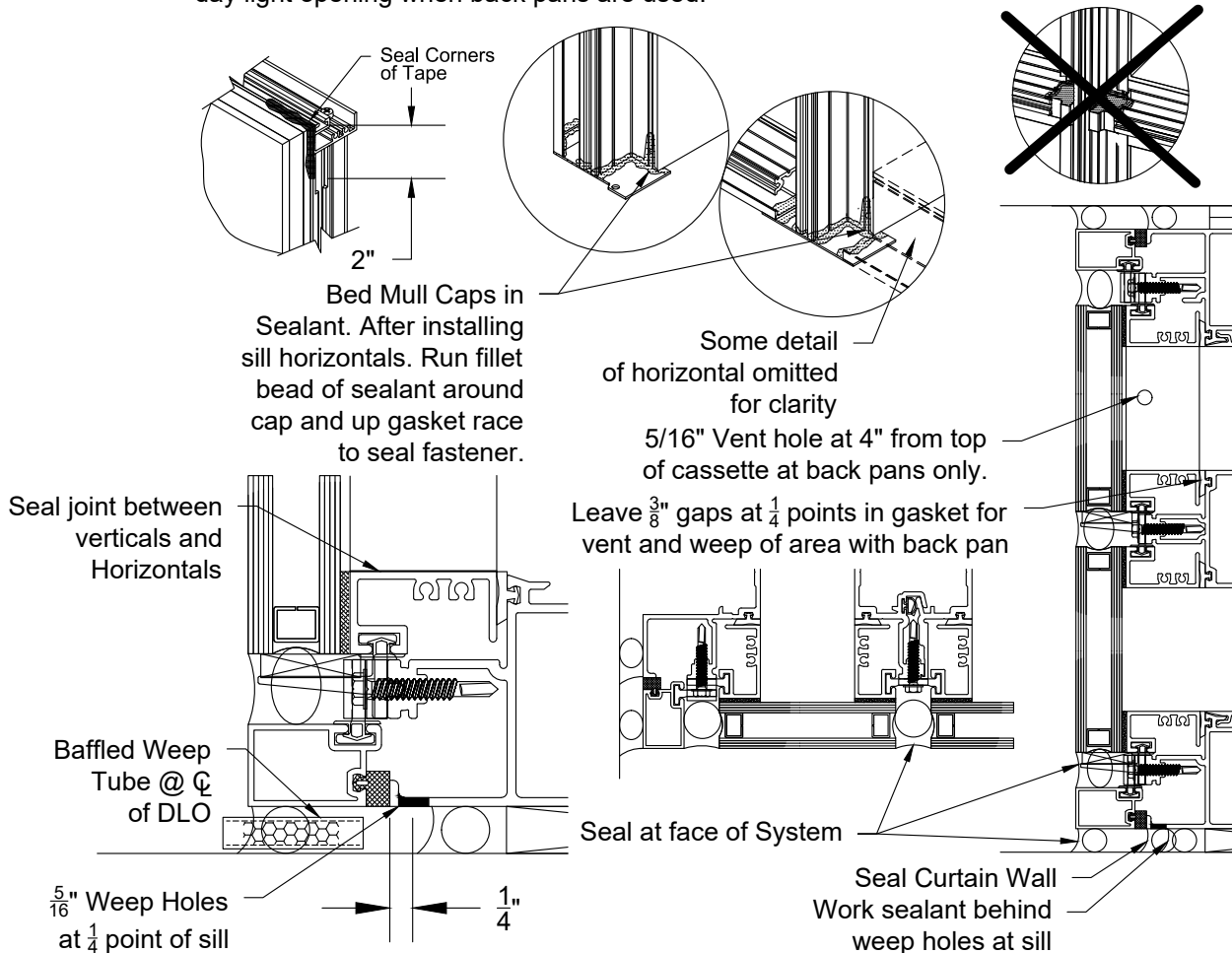


# RELIANCE™ CASSETTE INSTALLATION MANUAL

## GENERAL SEALANT INSTRUCTIONS DUAL SEAL W/ BACK PANS

Reliance™ Cassette may be installed using back pans at spandrel areas and a "Dual Seal" installation. In this installation all seals typically shown in the Reliance™ and Reliance™ -SS manuals will be ran prior to installing the cassette system, excluding the zone plugs. The Reliance™ Cassette is not a zone glazed system since the exterior seal will always be the primary seal of the system. Back pan areas also require venting of the cavity so special fabrication and installation steps must be taken to handle any condensation. When using the dual seal method and not installing back pans the weep hole at the sill is optional. See key points below.

- 1.4 Curtain wall will require sealing of horizontal to vertical connections, shear block seals, cap sealing of fasteners and mull caps per the Reliance™ or Reliance™ -SS manuals. Omit all zone plugs. Perimeter of curtain wall will be sealed prior to installing cassette system as well. The perimeter leg of the sill member must also be weeped and perimeter seal below worked around this hole to allow any condensation to drain.
- 1.5 The cassette frames will be sealed between the verticals to horizontal connections per detail below. The VHB tape will also require a seal around each corner.
- 1.6 The spandrel areas requiring back pans will require a vent hole be drilled into the upper portion of each vertical cassette. The gasket at the sill of the lite will be cut to allow a 3/8" wide vent / weep gap at 1/4 points of the day lite opening. This step omitted where back pans not required.
- 1.7 The exterior seals will be a minimum 3/4" wide between all lites of glass and between ends of perimeter closures. These seals will marry directly into the perimeter seal of the framing. The perimeter at the sill will also require installation of baffled weep tubes at center line of day light opening when back pans are used.



# RELIANCE™ CASSETTE INSTALLATION MANUAL

## FRAME FABRICATION

Unless otherwise noted, the details shown in these instructions reflect the 6 3/4" system for 1" glazing. Instructions for other back member depths are similar. Reference Reliance™ -SS or Reliance manuals for fabrication for the curtain wall system. Reliance™ Cassette will be applied to the face of the curtain wall system. Fabrication below is for cassettes and perimeter members for this product only. When using Reliance™ -SS curtain wall it will be necessary to add fasteners at mull stem at centerline of horizontals to set mullions in position. SEE FIGURE 1. .

- 1.8 Measure ROUGH OPENING to determine FRAME WIDTH and FRAME HEIGHT dimensions. Allow 1/2" minimum clearance for shimming and caulking around perimeter of frame.
- 1.9 Cut material to size. SEE FIGURE 2, page 11 for guide. Glass bites and cut sizes are different for intermediate captured areas and typical 4-sided silicone glazed areas. Close attention to the layout for these areas is critical. SEE FIGURE 3, page 11.

Vertical Cassette (RCS-100 & RCS-208)	Daylight Opening (D.L.O.)
Horizontal Cassette (RCS-100,RCS-107, RCS-208 & RCS-207)	D.L.O. plus 1-3/4"
Captured Vertical Cassette (RCS-101 & RCS-201)	D.L.O
Captured Horizontal Cassette (RCS-101 & RCS-201)	D.L.O. plus 1-3/8"
Horizontal Perimeter Closure (RCS-104)	Frame Height (Rough Opening - top & bottom joints)
Vertical Perimeter Closure (RCS-104)	Frame Height minus 3-1/4"
Captured Horizontal Perimeter (RCS-112)	Frame Height (Rough Opening - top & bottom joints)
Captured Vertical Perimeter (RCS-112)	Frame Height minus 3-1/4"

### Accessories

Vertical gaskets	D.L.O. plus 1-3/4"
Horizontal gaskets	D.L.O.

\*Glazing gaskets should be cut 1/4" longer per foot. Set aside and lay flat until ready to glaze.

### Quick Reference Guide:

1. Torque RCS-102-01 (RCS-209-01) cassette clips to 40 in/lbs.
2. Cassette Clips will be located at 12" o.c. typical. Project requirements may vary per engineer's review.
3. Perimeter Closure Clips will be located at 18" o.c.
4. Pressure Plate fasteners to be located at 9" o.c. Torque fasteners to 90 in/lbs.

### Glass Sizing:

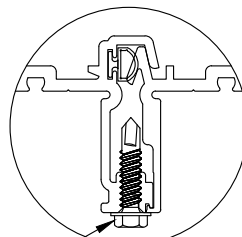
4-Sided System: D.L.O. plus 1-3/4" for width and height.

Captured system: DLO plus 1-3/8" for width and height

Glass sizes on lites with captured on a single side must be adjusted to accommodate the different glass bite.

4-Sided bite =  $\frac{7}{8}$ " Captured glass bite =  $\frac{11}{16}$ " SEE FIGURE 2, page 11

Glass bite for expansion horizontal; Lower lite bite = 2" Upper lite =  $\frac{7}{8}$ " SEE FIGURE 27, page 26

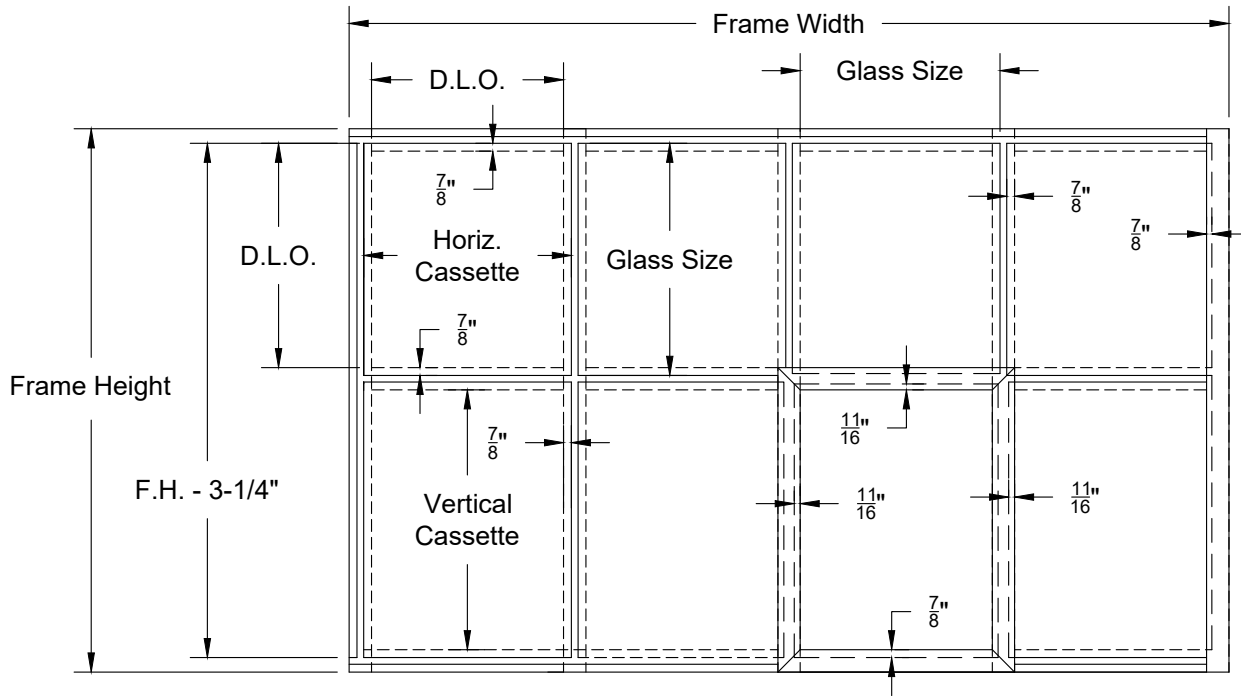


FS-322 (#12-14 X 1" HWH Drill Flex)  
Locate at (2) per DLO

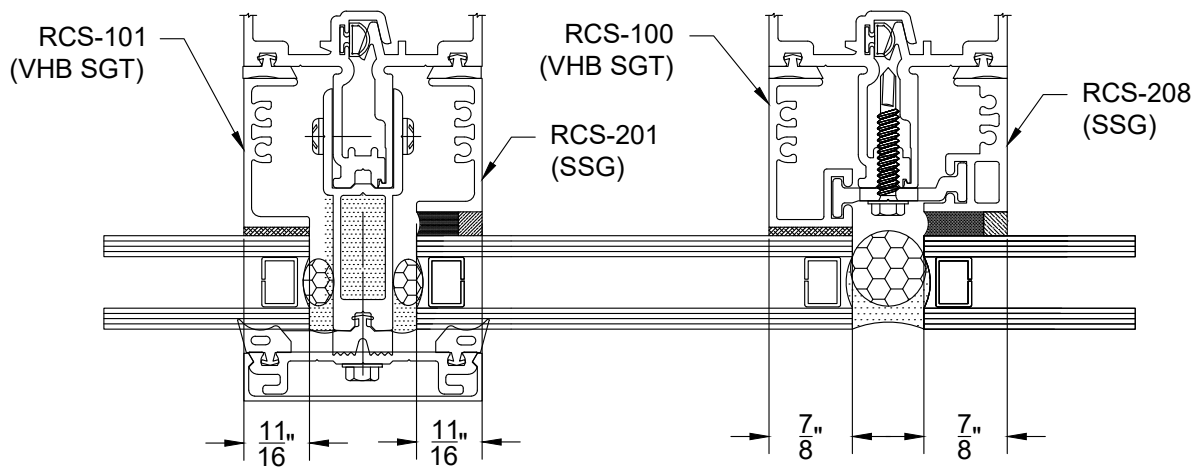
**FIGURE 1**  
**Reliance-SS Special**  
**Assembly**

# RELIANCE™ CASSETTE INSTALLATION MANUAL

## FRAME FABRICATION



**FIGURE 2**  
Material Fabrication Guide



**FIGURE 3**  
Typical Glass Bites



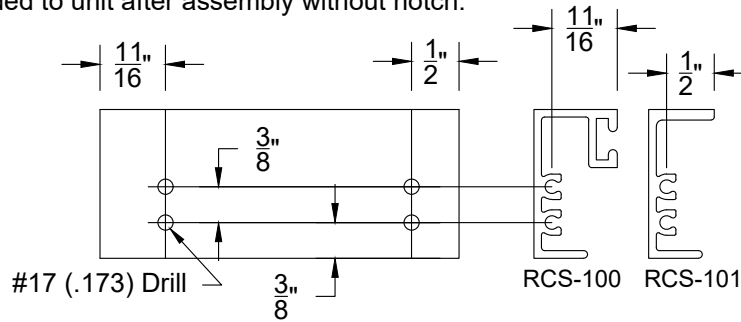
**Oldcastle** BuildingEnvelope®

***VHB STRUCTURAL TAPE GLAZED  
CASSETTE ASSEMBLY AND GLAZING***

# RELIANCE™ CASSETTE INSTALLATION MANUAL

## VHB CASSETTE FABRICATION

- 2.1 Fabricate horizontal cassettes with (2) #17 (.173Ø) holes on each end. SEE FIGURE 4
- 2.2 Fabricate vertical cassettes with slot milled at top end. Slot will be used to insert cassette clips in field. Care should be taken when notching not to damage surface where tape or structural sealant is to be applied. SEE FIGURE 5  
Note: Cassette frames may be assembled without this notch, but all clips must be installed prior to cassette frame assembly and glazing. Additional clips could not be added to unit after assembly without notch.



Note: 11/16" dimension for 4-sided applications and perimeter captured face, 1/2" dimension at intermediate captured conditions.

FIGURE 4  
Horizontal Cassette  
Fabrication

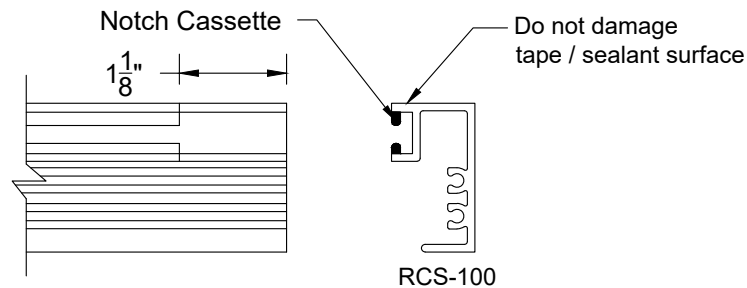
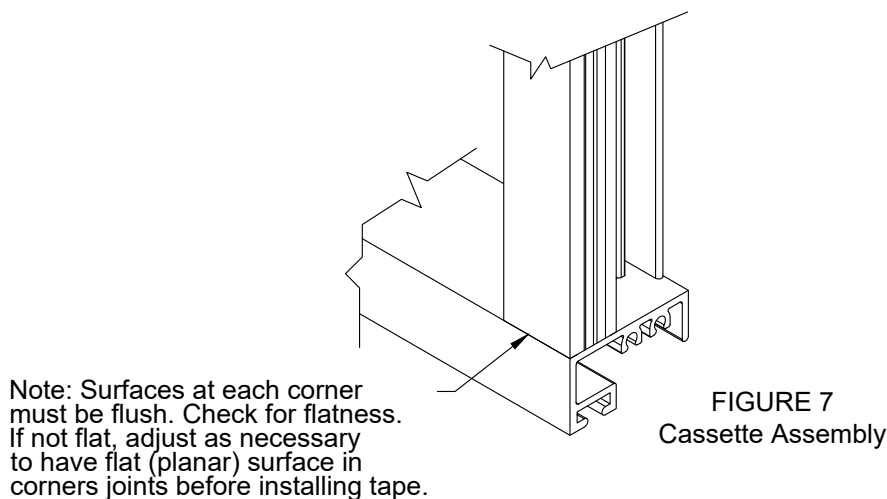
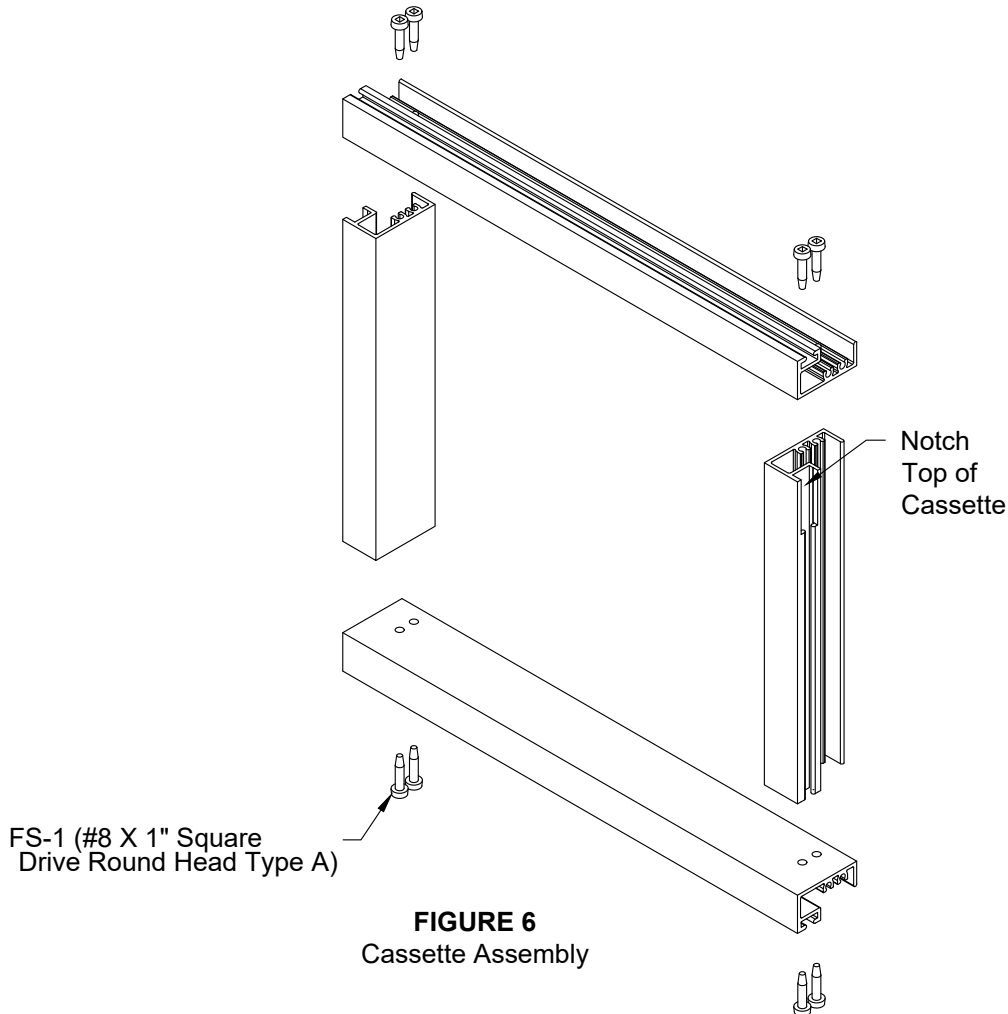


FIGURE 5  
Vertical Cassette  
Fabrication

# RELIANCE™ CASSETTE INSTALLATION MANUAL

## VHB CASSETTE ASSEMBLY

- 2.3 Cassettes will be assembled using (2) FS-1 (#8 x 1" Square Drive Round Head) at each corner. SEE FIGURE 6
- 2.4 Surface at each corner on tape side of cassette must be flush. Check for flatness. If not flat, adjust as necessary to have flat (planar) surface at corner joints before installing tape. SEE FIGURE 7

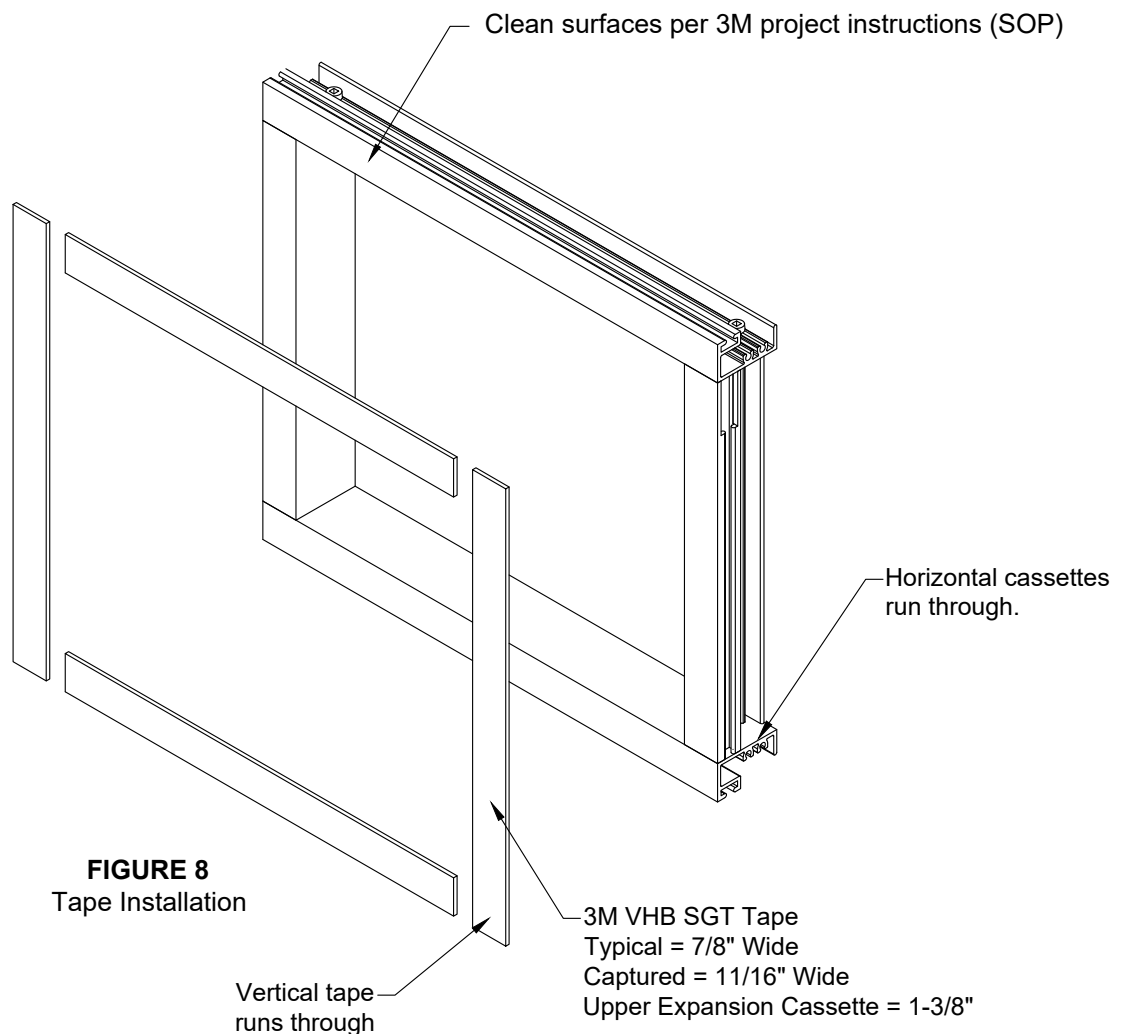


# RELIANCE™ CASSETTE INSTALLATION MANUAL

## VHB CASSETTE GLAZING PREP

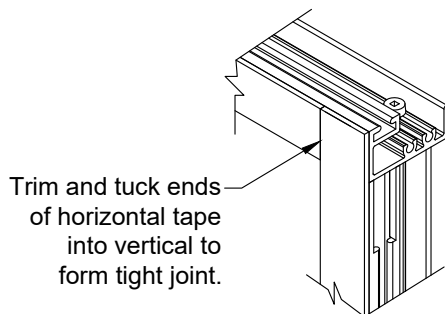
- 2.5 Surface of cassette and glass will be cleaned and primed per 3M project instructions(SOP). Metal from project must be sent to 3M for review and primer recommendations. 3M will provide project specific instructions and hands on instructions for each project. SEE FIGURE 8
- 2.6 Vertical tape is run through at corners. Tape will be tucked into the corner to form a tight joint. SEE FIGURE 9, page 14
- 2.7 Tape applied to cassette using 3M tape applicator SEE FIGURE 10, page 14
- 2.8 Tape is rolled onto cassette using 3M tape roller applying pressure of ~ 15 lbs. SEE FIGURE 11, PAGE 14

REFERENCE 3M VHB SGT TECHNICAL GUIDE, PAGES 20 & 21 FOR ADDITIONAL INFORMATION

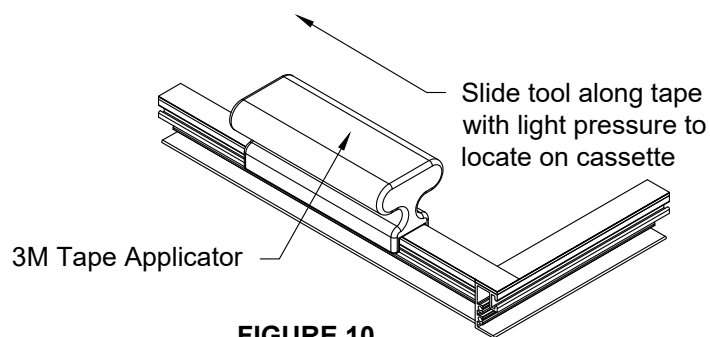


# RELIANCE™ CASSETTE INSTALLATION MANUAL

## VHB CASSETTE GLAZING PREP

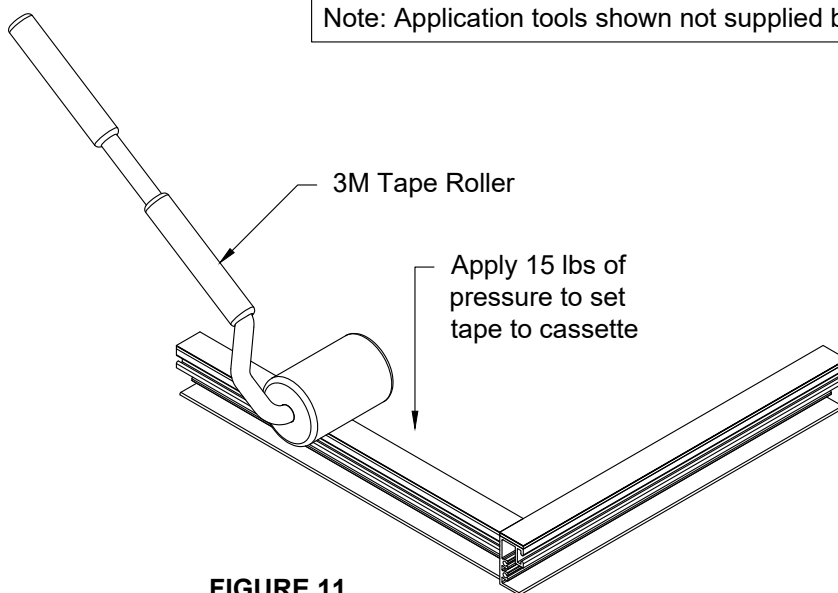


**FIGURE 9**  
Tape Installation



**FIGURE 10**  
Tape Installation

Note: Application tools shown not supplied by OBE



**FIGURE 11**  
Tape Installation



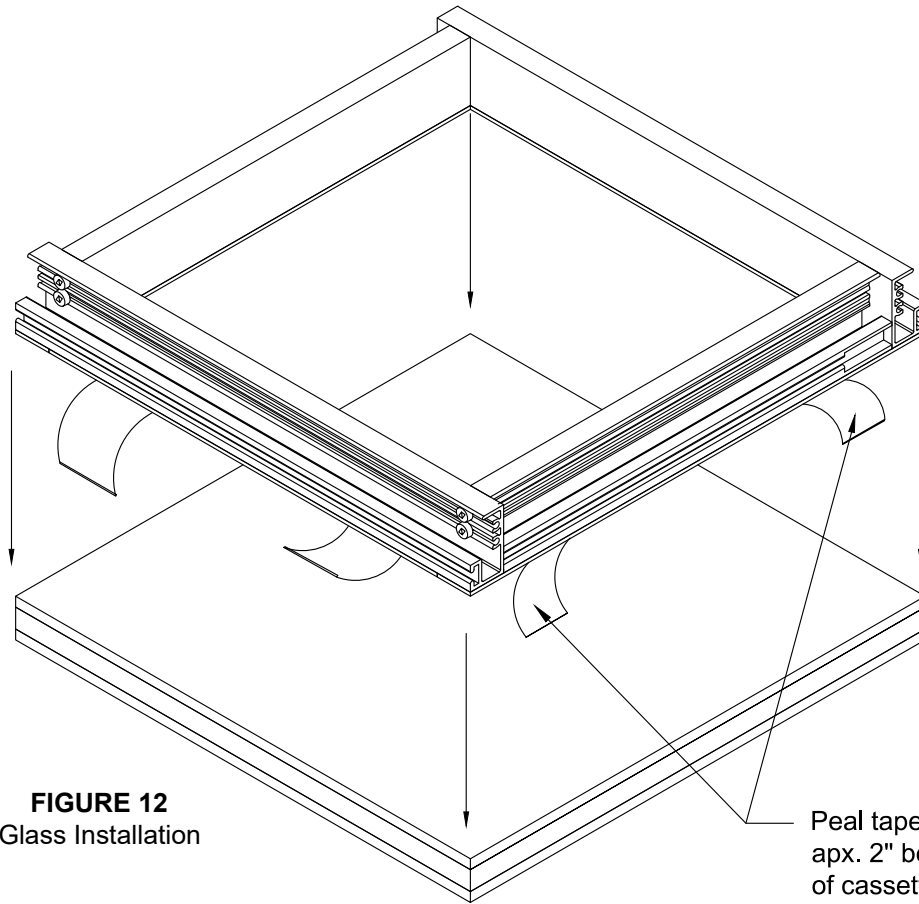
# RELIANCE™ CASSETTE INSTALLATION MANUAL

## VHB CASSETTE GLAZING

- 2.9 Dry Fit Test: Place cassette unit onto glass to ensure glass and unit align properly. Red protective liner is still in place at this point.
- 2.10 Remove cassette unit from glass. Clean and prime glass per 3M project instructions(SOP). Wipe dust/dirt from red protective liner.
- 2.11 Remove approximately 4" of protective liner at each corner from the cassette unit. Take care not to touch or contaminate the exposed adhesive. See Figure 12, page 18.
- 2.12 Carefully place cassette unit onto glass. Be sure not to apply pressure to the unit in the corners so they may be moved and aligned with glass.
- 2.13 Once properly aligned, gently press down on the corners of the cassette unit to lock in place. Then working from each end, remove remainder of red protective liner. This will require lifting of the cassette unit at the centers to aid in removal and prevent tearing.
- 2.14 Once all of the red protective liner is removed, press firmly down onto the cassette on all sides to provide initial adhesion of the VHB SGT to the glass. Follow this with final application of pressure with a rolling pressure applications tool (pneumatic, gas cylinder or spring force) applying ~90 lbs of force around the entire cassette unit frame. Apply slow rolling pressure in 2 passes. See Figure 15, page 19.
- 2.15 After final application of pressure. flip unit to inspect tape for adhesion (contact ) to the glass. There should be at least 90% total contact. If large area of non-contact is observed, reapply pressure to this area with rolling pressure application tool. A wood furniture clamp or quick clamp may be needed to adhere areas where the rolling pressure applicator does not produce full adhesion of tape. See Figure 16, page 19.
- 2.16 Apply cap bead of a 1-part neutral cure silicone sealant to the edge of the VHB SGT, between the glass and metal, in each corner. Sealant should be applied 2" in both directions around each corners. See Figure 13, page 18.
- 2.17 Units may be moved to storage area. Do not stack glazed units on top of each other. If stored or crated vertically on edge, be sure there is support for the weight of the glass; i.e. stand at angle on edge of glass and not on edge of frame. See Figure 14, page 18.

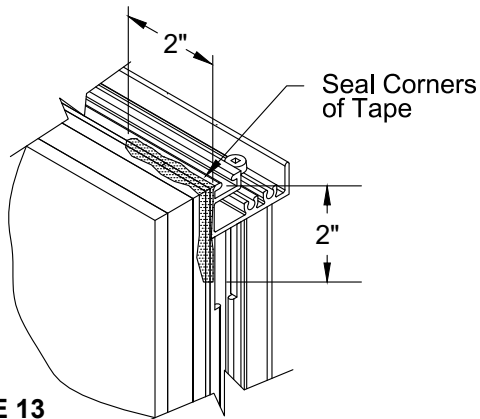
# RELIANCE™ CASSETTE INSTALLATION MANUAL

## VHB CASSETTE GLAZING

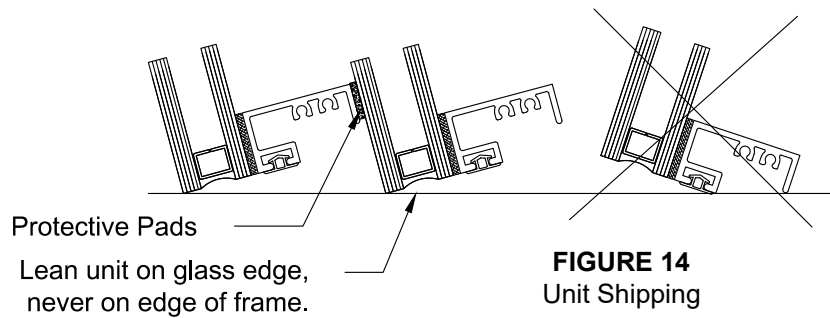


**FIGURE 12**  
Glass Installation

Peel tape at each corner  
apx. 2" before final placement  
of cassette unit on glass.



**FIGURE 13**  
Glass Installation



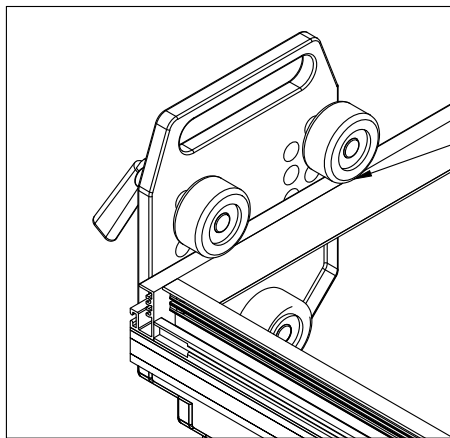
**FIGURE 14**  
Unit Shipping

# RELIANCE™ CASSETTE INSTALLATION MANUAL

## VHB CASSETTE GLAZING

Tape assembly tool.  
(Manual tool shown,  
pneumatic tool also available.)

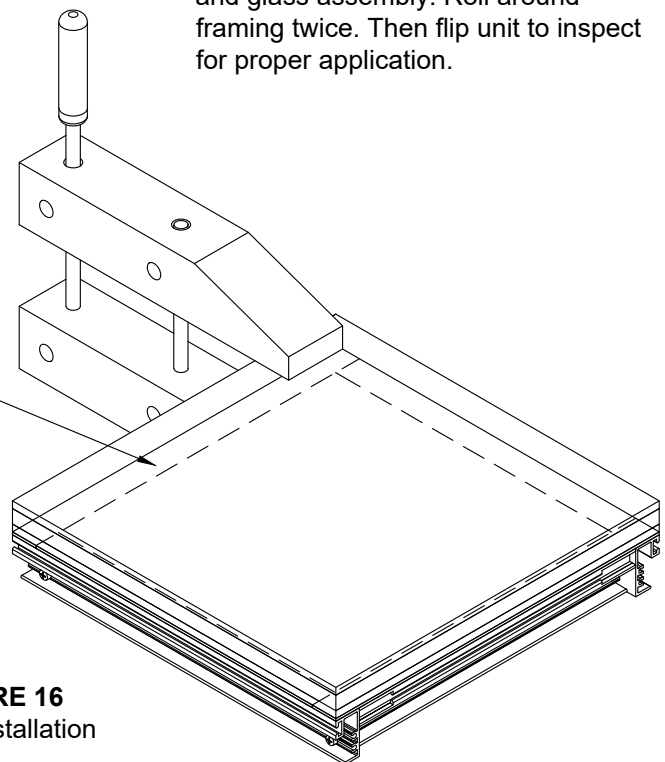
**FIGURE 15**  
Glass Installation



Final application of tape requires using pinching roller machine to apply 90 in. lbs of force to cassette and glass assembly. Roll around framing twice. Then flip unit to inspect for proper application.

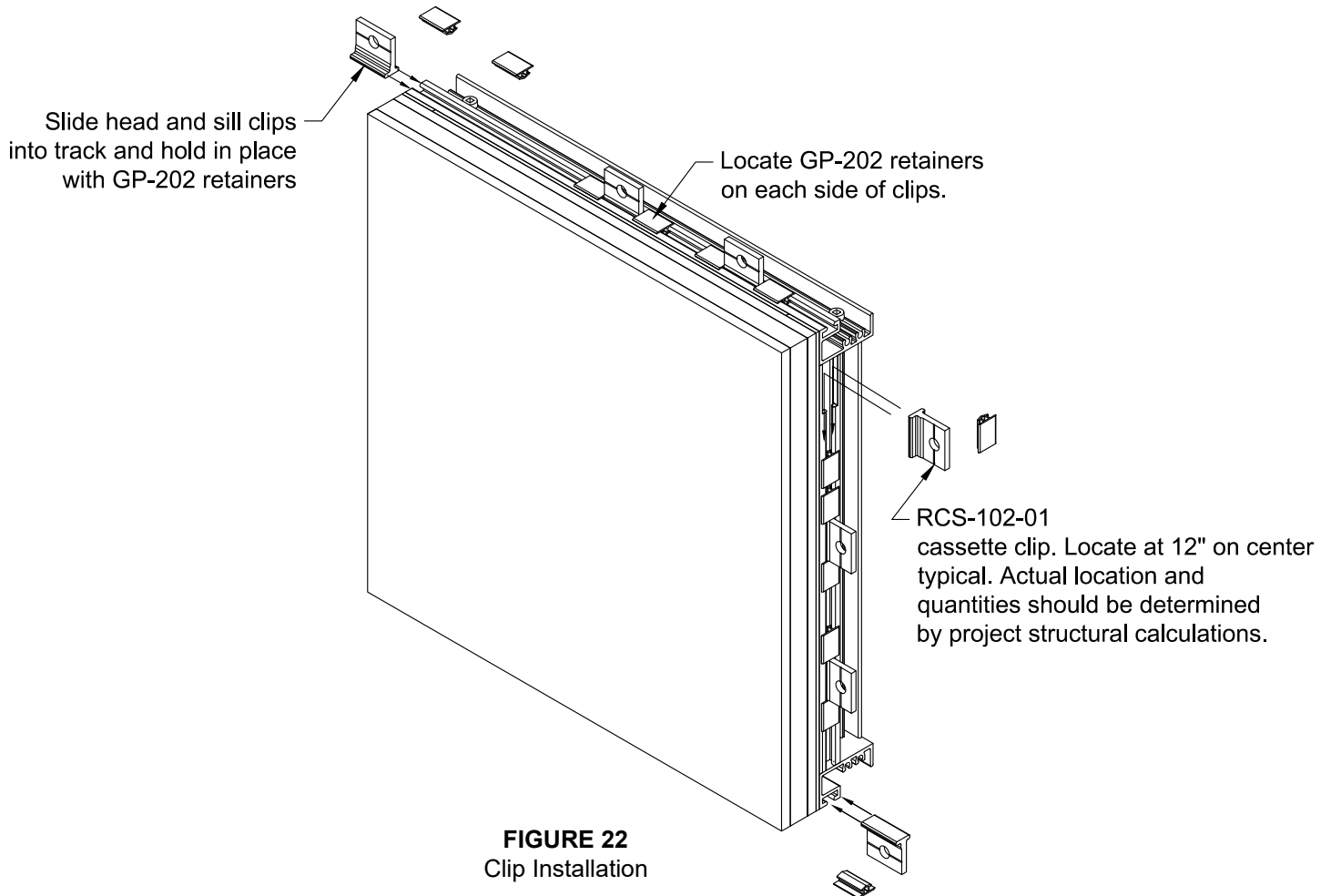
Inspect through glass to confirm proper compression of tape to glass. Light spots will need to be rolled again and may require use of wood screw furniture clamp to adhere small section in particular corner areas.

**FIGURE 16**  
Glass Installation



## VHB CASSETTE UNIT INSTALLATION

- 2.18 Slide horizontal clips into head and sill of unit. Hold clips in position using GP-202 retainers. See notes below for further instructions.
- 2.19 Install vertical cassette clips by inserting into slot of cassette from top of cassette. Retain clips with GP-202.
- 2.20 Note: Final clip locations will be adjusted on units during installation onto curtain wall.



Note: It is recommended to install cassette clips in field at the sill of each unit to avoid damage to clips and cassette frame. Clips at verticals and head may be installed either in shop or field.

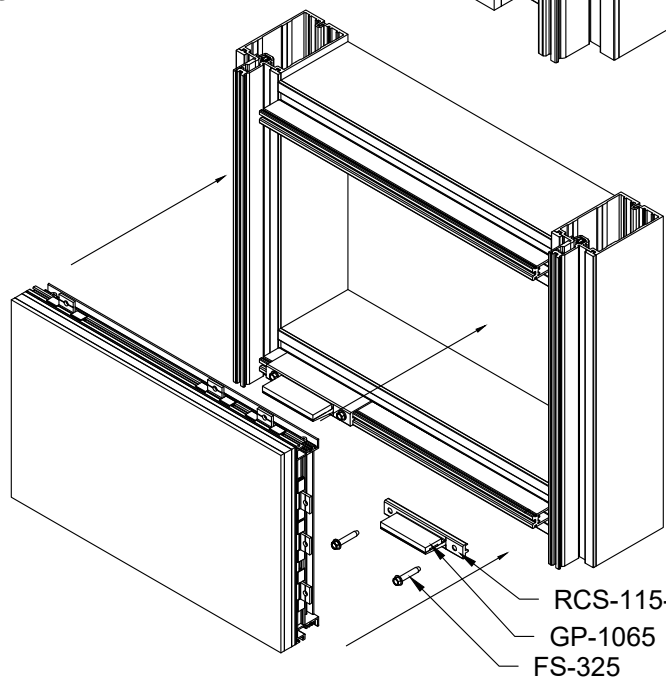
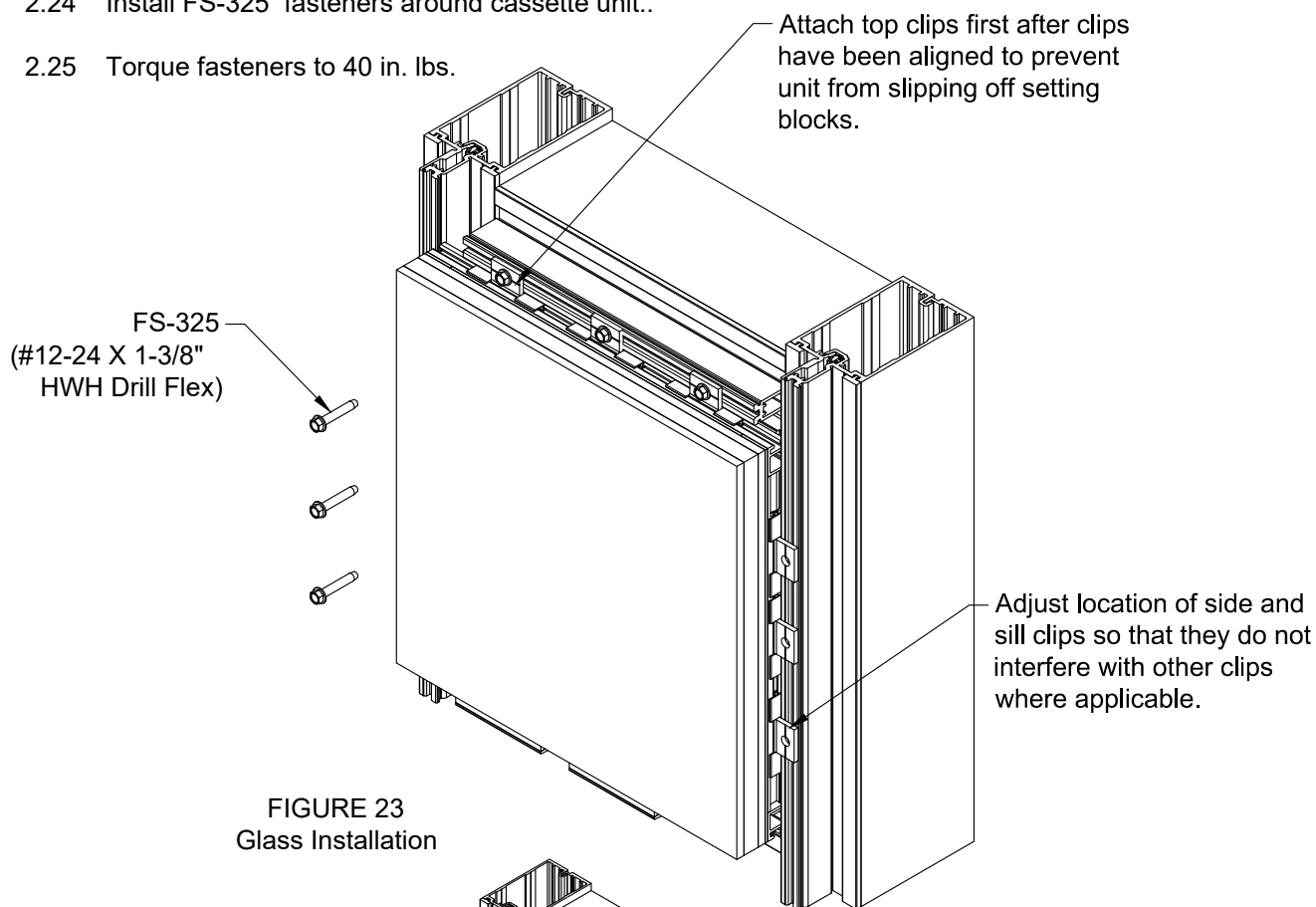
When RCS-101 are used at intermediate captured areas. They will not use cassette clips, but are held in place with WW-162 pressure plates which will be attached with FS-325 fasteners at 9" on center or at spacing as required by engineers calculations.

Perimeter captured areas will use the RCS-102-01 clip in combination with an RCS-112 perimeter closure, RCS-111 pressure plate and WW-110 face cap. The RCS-102-01 clips are attached through the RCS-108 molded isolator with FS-325 and located at 18" on center or minimum 3 per daylight opening. Use FS-322 to attach pressure plate to closure.

# RELIANCE™ CASSETTE INSTALLATION MANUAL

## VHB CASSETTE INSTALLATION

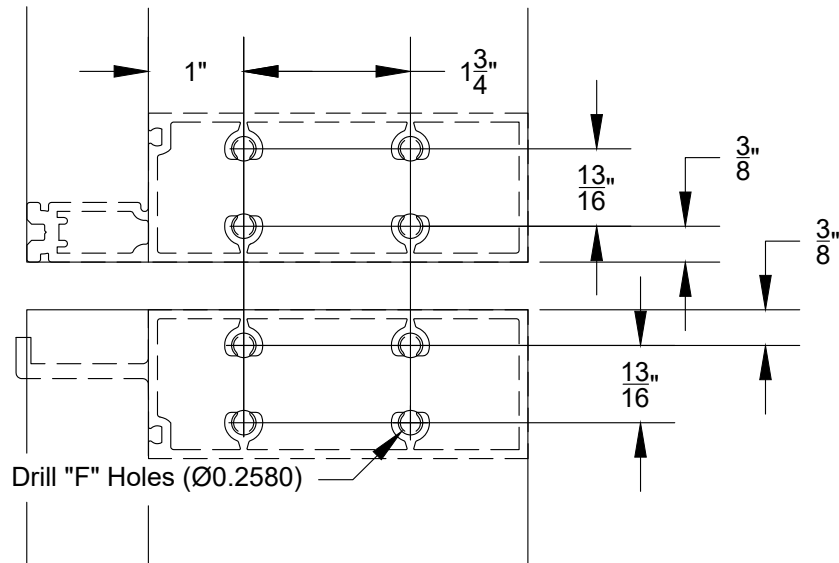
- 2.21 Install RCS-115-01 setting chair with GP-1065 setting block to horizontal. Attach setting chair w/(2)FS-325 (#12-14 x 1-3/8" HWH Drill Flex).
- 2.22 Locate cassette frame unit and glass in opening. Set unit on setting blocks and rotate into position, center in opening so clips align properly. Adjust location of clips on sides and sill so they do not interfere with other clips.
- 2.23 Attach clips at head of unit with FS-325 fasteners.
- 2.24 Install FS-325 fasteners around cassette unit..
- 2.25 Torque fasteners to 40 in. lbs.



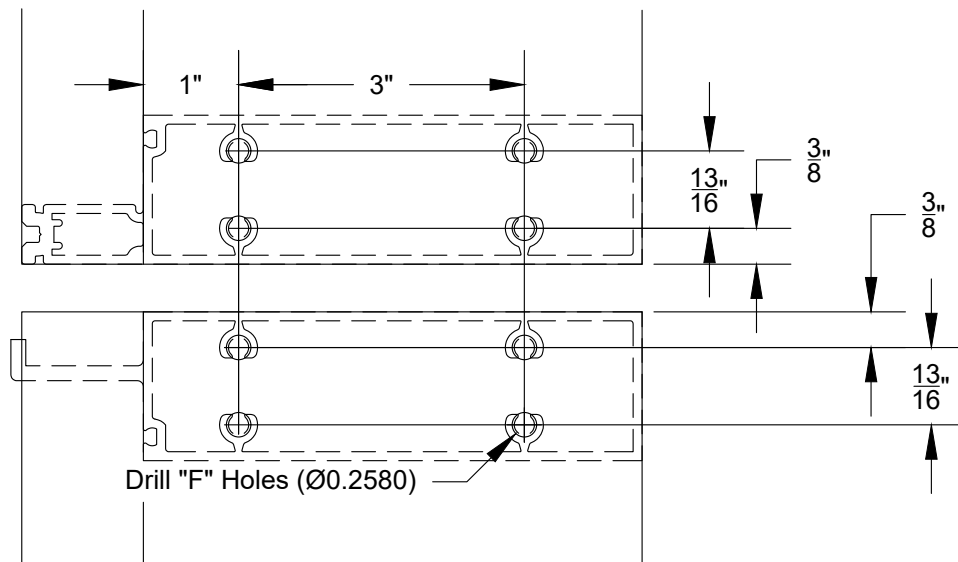
# RELIANCE™ CASSETTE INSTALLATION MANUAL

## VHB CASSETTE EXPANSION HORIZONTAL SCREW SPLINE FABRICATION

- 2.27 When using the WW-427 & WW-428, horizontals for the expansion horizontal connection fabricate top and bottom of mullion as shown in **FIGURE 17**. If using WW-527 & WW-528 fabricate per **FIGURE 18**.



**FIGURE 17**  
Fabrication for  
WW-427 & WW-428

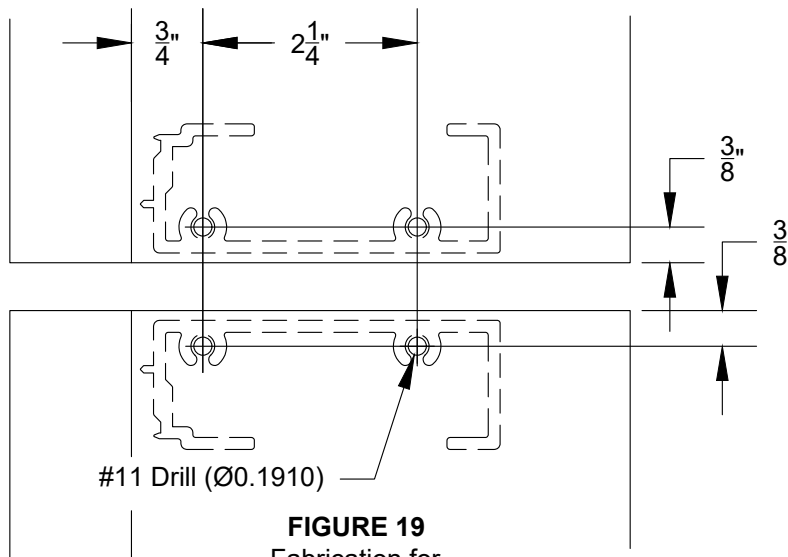


**FIGURE 18**  
Fabrication for  
WW-527 & WW-528

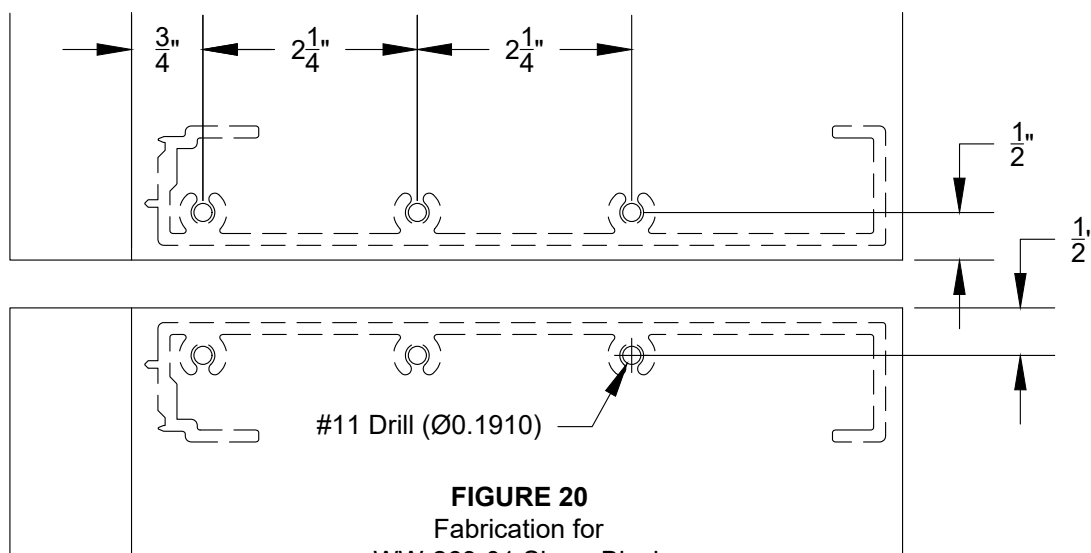
# RELIANCE™ CASSETTE INSTALLATION MANUAL

## VHB CASSETTE EXPANSION HORIZONTAL SHEAR BLOCK FABRICATION

- 2.28 When using the WW-436, WW-437, WW-536, WW-537 horizontals for the expansion horizontal connection fabricate top and bottom of mullion as shown in FIGURE 19. If using WW-836 & WW-837 fabricate per FIGURE 20. Note that the dimension from the end of mullions to hole center line is different in these two drawings.



**FIGURE 19**  
Fabrication for  
WW-268-01 Shear Block

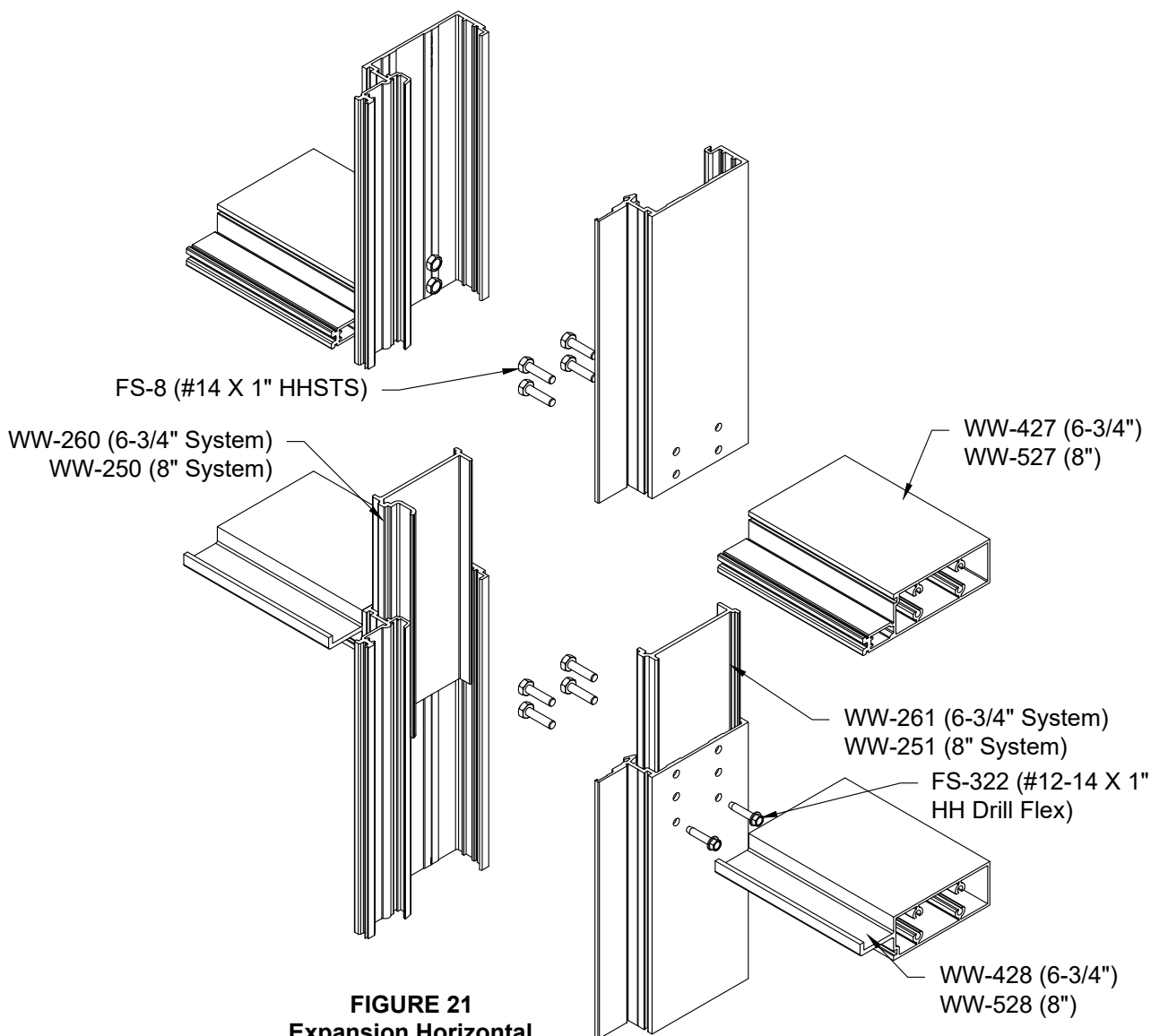


**FIGURE 20**  
Fabrication for  
WW-269-01 Shear Block

# RELIANCE™ CASSETTE INSTALLATION MANUAL

## VHB CASSETTE EXPANSION HORIZONTAL SCREW SPLINE ASSEMBLY

- 2.29 FIGURE 21 below shows the screw spline assembly for the dual horizontal expansion assembly. Use the Reliance™-SS Installation Manual for typical wall assembly.
- 2.30 Attach horizontals to vertical mullions using FS-8 (#14 x 1" HHSTS). Four (4) fasteners per connection will be required.
- 2.31 Once horizontal are installed. Slide splices into vertical mullion and attach using (2) two FS-322 (#12-24 x 1" HH Drill Flex). Splices may be installed in upper or lower mullion depending on project requirements.



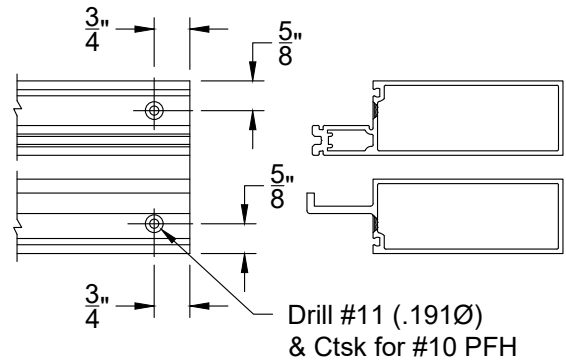
**FIGURE 21**  
**Expansion Horizontal**  
**Screw Spline Assembly**



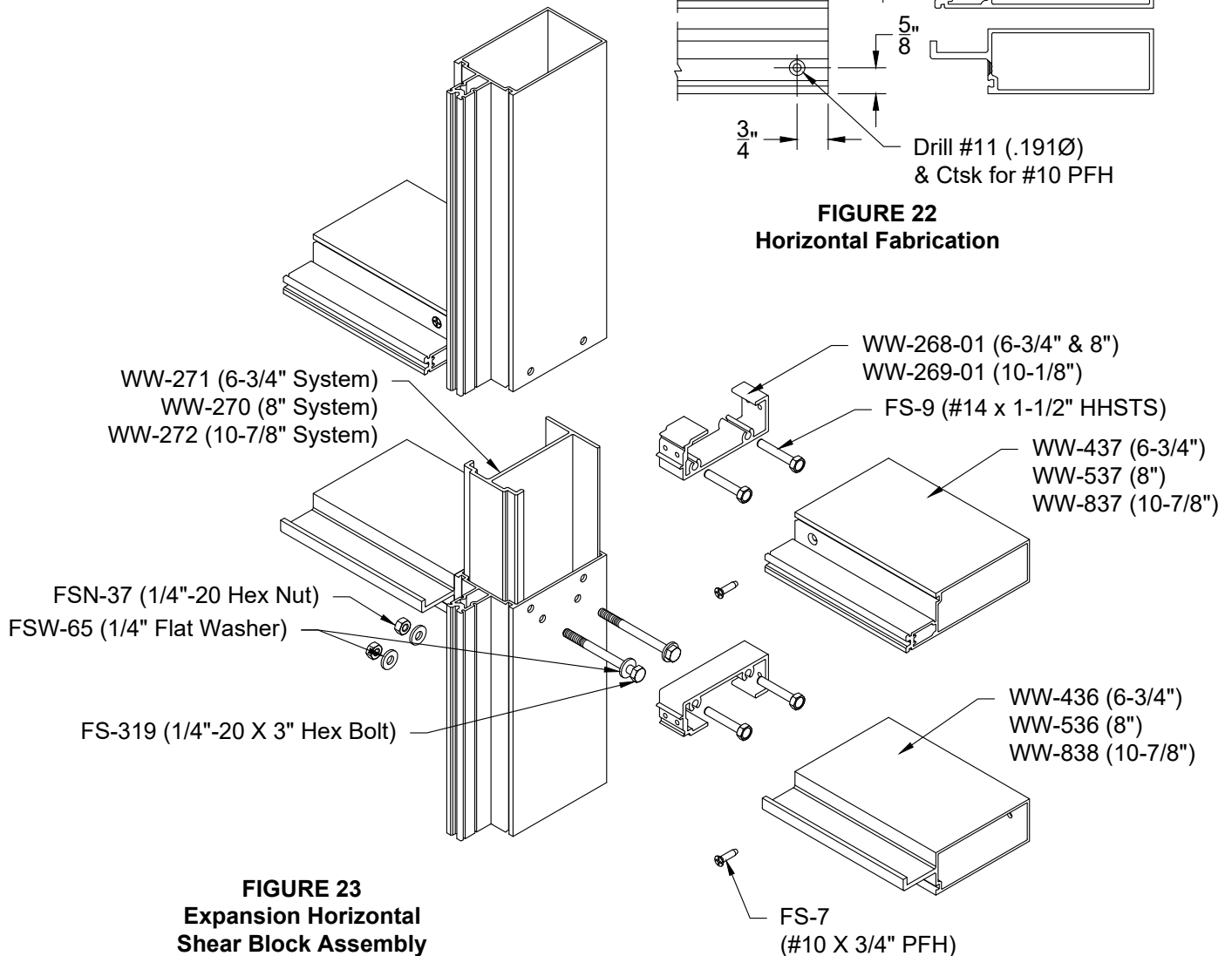
# RELIANCE™ CASSETTE INSTALLATION MANUAL

## VHB CASSETTE EXPANSION HORIZONTAL SHEAR BLOCK ASSEMBLY

- 2.32 FIGURE 23 below shows the shear block assembly for the dual horizontal expansion assembly. Use the Reliance Installation Manual for typical wall assembly.
- 2.33 Fabricate horizontals per FIGURE 22. Drill #11 (.191Ø) holes at each end for #10 Phillips Flat head fasteners.
- 2.34 Attach WW-268-01 (WW-269-01) shear blocks to mullion using (2) FS-9 (#14 x 1-1/2" PFH) fasteners. Horizontal will attach to shear block using (1) FS-7 (#10 x 3/4" PFH) at each end.
- 2.35 Once horizontal are installed. Slide splices into vertical mullion and attach using (2) FS-319 w/ FSN-37 nut and FSW-65 flat washers. Splices may be installed in upper or lower mullion depending on project requirements.



**FIGURE 22**  
**Horizontal Fabrication**

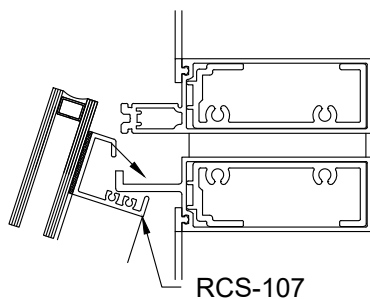


**FIGURE 23**  
**Expansion Horizontal  
Shear Block Assembly**

# RELIANCE™ CASSETTE INSTALLATION MANUAL

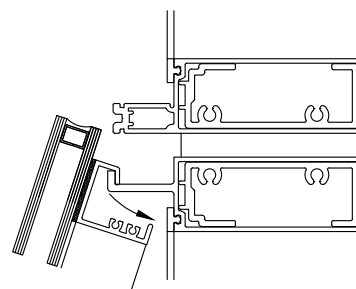
## VHB CASSETTE EXPANSION HORIZONTAL GLAZING

- 2.36 Glazing of screw spline and shear block systems will use same methods and sequence. Install lower lite first, leaving setting chair and block off of horizontal above will increase clearances for installation.
- 2.37 Install lower lite by dropping hook of RCS-107 over tongue of horizontal and rotating into position as shown in FIGURES 24 & 25. Once glass is in position secure in place using RCS-102-01 cassette clips using a FS-325 fastener. Locate clips at 12" on center at verticals and sill of lite.
- 2.38 Install RCS-115-01 setting chair on upper horizontal using (2) FS-325 fasteners. Install GP-1065 setting block onto chair. FIGURE 26
- 2.39 Glaze upper lite above and secure using RCS-102-01 cassette clips using FS-325 fasteners and locate at 12" on center. FIGURE 27



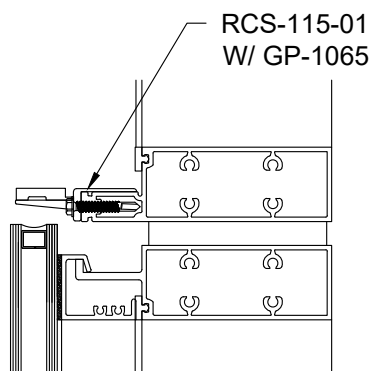
**FIGURE 24**

Set lower cassette over tongue of horizontal



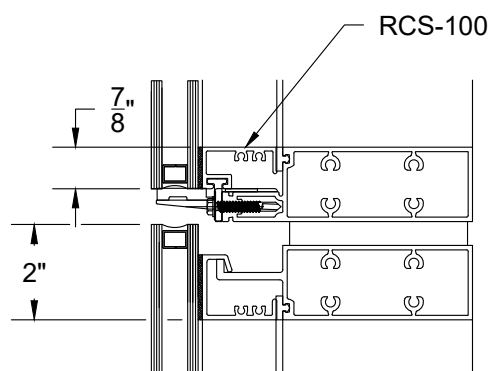
**FIGURE 25**

Rotate into opening and attach using cassette clips and FS-325



**FIGURE 26**

Install setting chair & setting block for lite above



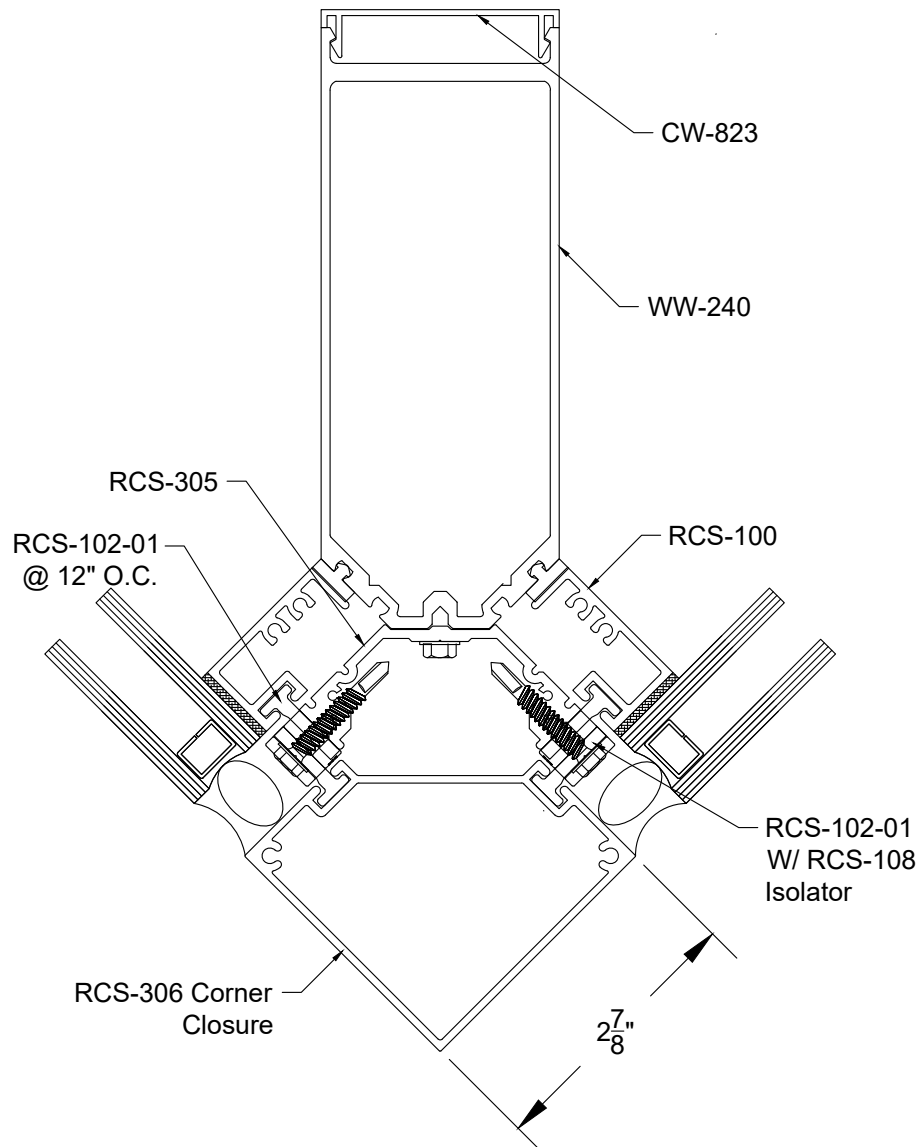
**FIGURE 27**

Install upper lite and secure in place using clips and FS-325

# RELIANCE™ CASSETTE INSTALLATION MANUAL

## 90° OUTSIDE CORNER INSTALLATION - VHB

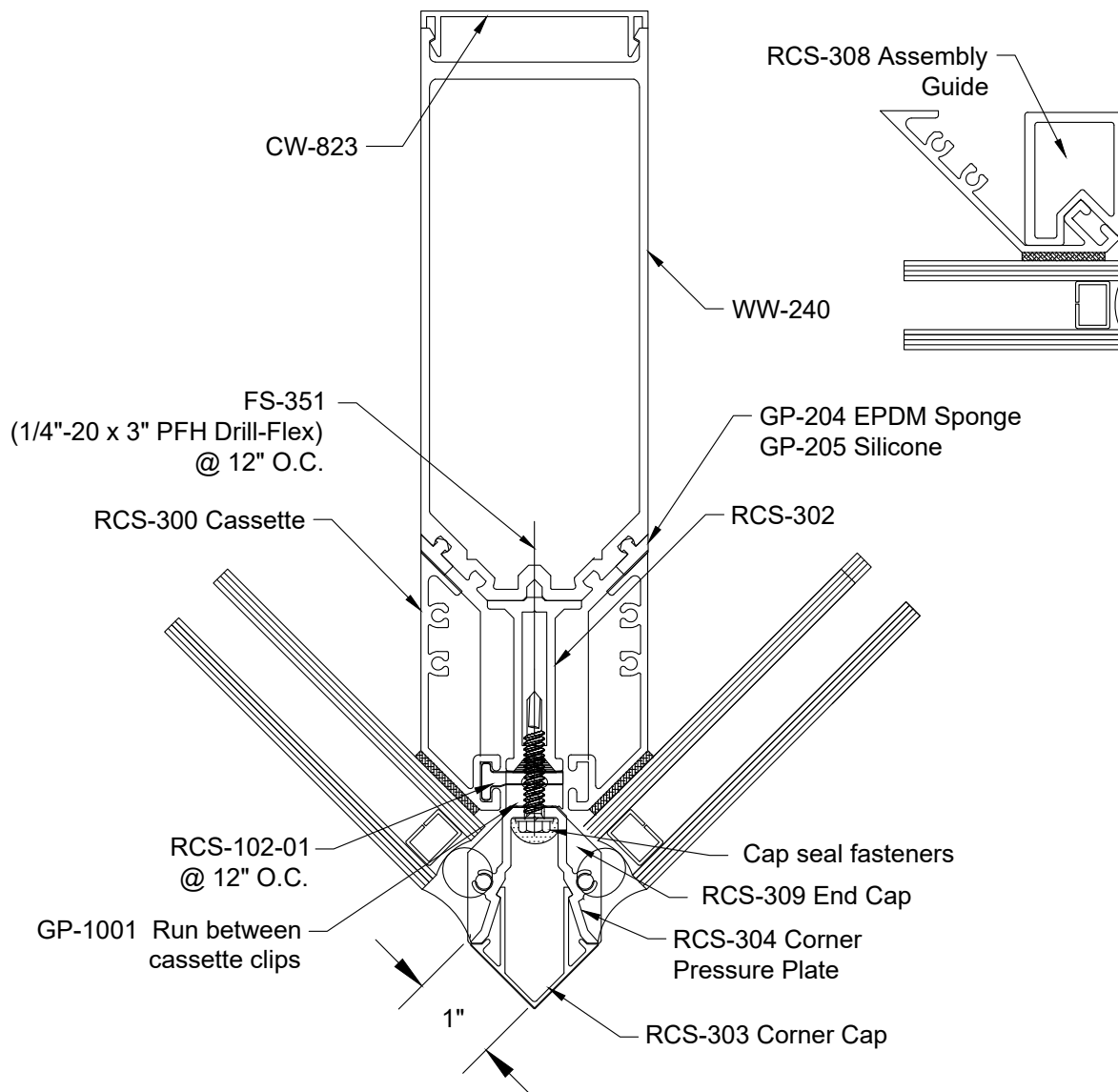
- 2.40 Installation of RCS-306 corner will use typical cassette installation as shown in sections 1 through 4. RCS-100 cassettes will be used and attach to RCS-305 with RCS-102-01 cassette clip and FS-325 fasteners.
- 2.41 RCS-305 will attach to corner mullion with FS-325 fasteners at 12" on center.
- 2.42 RCS-307 mull cap will be attached to each end of RCS-306 and bed in sealant.
- 2.43 RCS-108 isolators will be used at cassette clips on RCS-306 similar to perimeter cassettes
- 2.44 Seal between glass and RCS-306 and perimeter as shown in perimeter sealant instructions.



# RELIANCE™ CASSETTE INSTALLATION MANUAL

## 90° OUTSIDE CORNER INSTALLATION - VHB

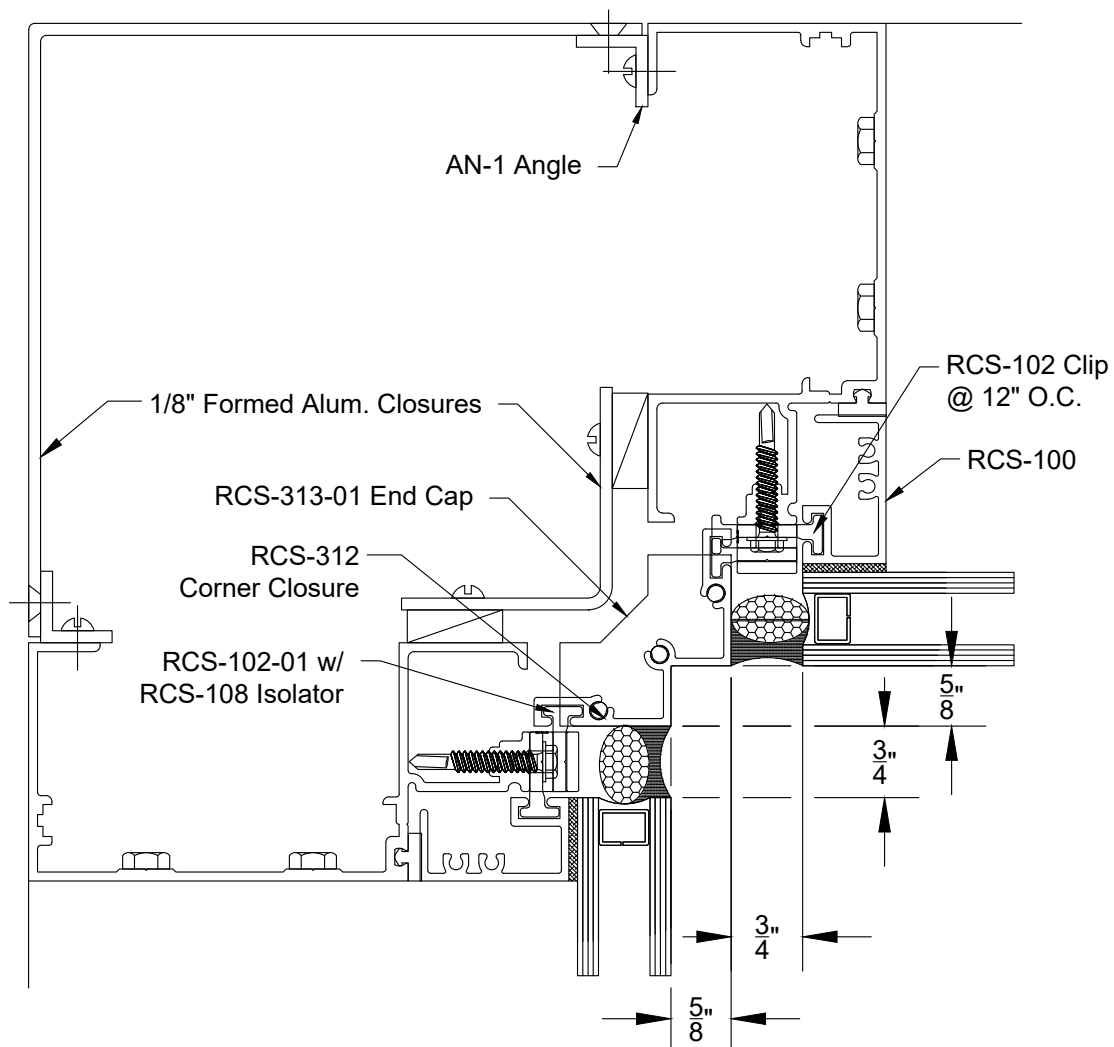
- 2.45 RCS-302 will attach to corner mullion with FS-351 (1/4"-20 x 3" PFH Drill Flex) fasteners at 12" on center.
- 2.46 RCS-308 assembly guide must be used to apply RCS-300 cassette to glass. Guide should be cut to fit full length of cassette. RCS-100 cassettes will be used typically on other edges of glass.
- 2.47 Installation of corner will use typical cassette installation as shown in sections 1 through 4. RCS-300 cassettes will be used at corner and attach to RCS-302 with RCS-102-01 cassette clip and FS-325 fasteners.
- 2.48 Install GP-1001 isolator gasket to face of RCS-302 and attach RCS-304 pressure plate using FS-325 fasteners at 9" on center. Cap seal FS-325 fasteners.
- 2.49 RCS-309 mull cap will be attached to each end of RCS-304 using FS-320 drive screws and bed in sealant. Snap RCS-303 face cap to the RCS-304 pressure plate as shown.
- 2.50 Seal between glass and RCS-304 and perimeter as shown in perimeter sealant instructions.



# RELIANCE™ CASSETTE INSTALLATION MANUAL

## 90° INSIDE CORNER INSTALLATION - VHB

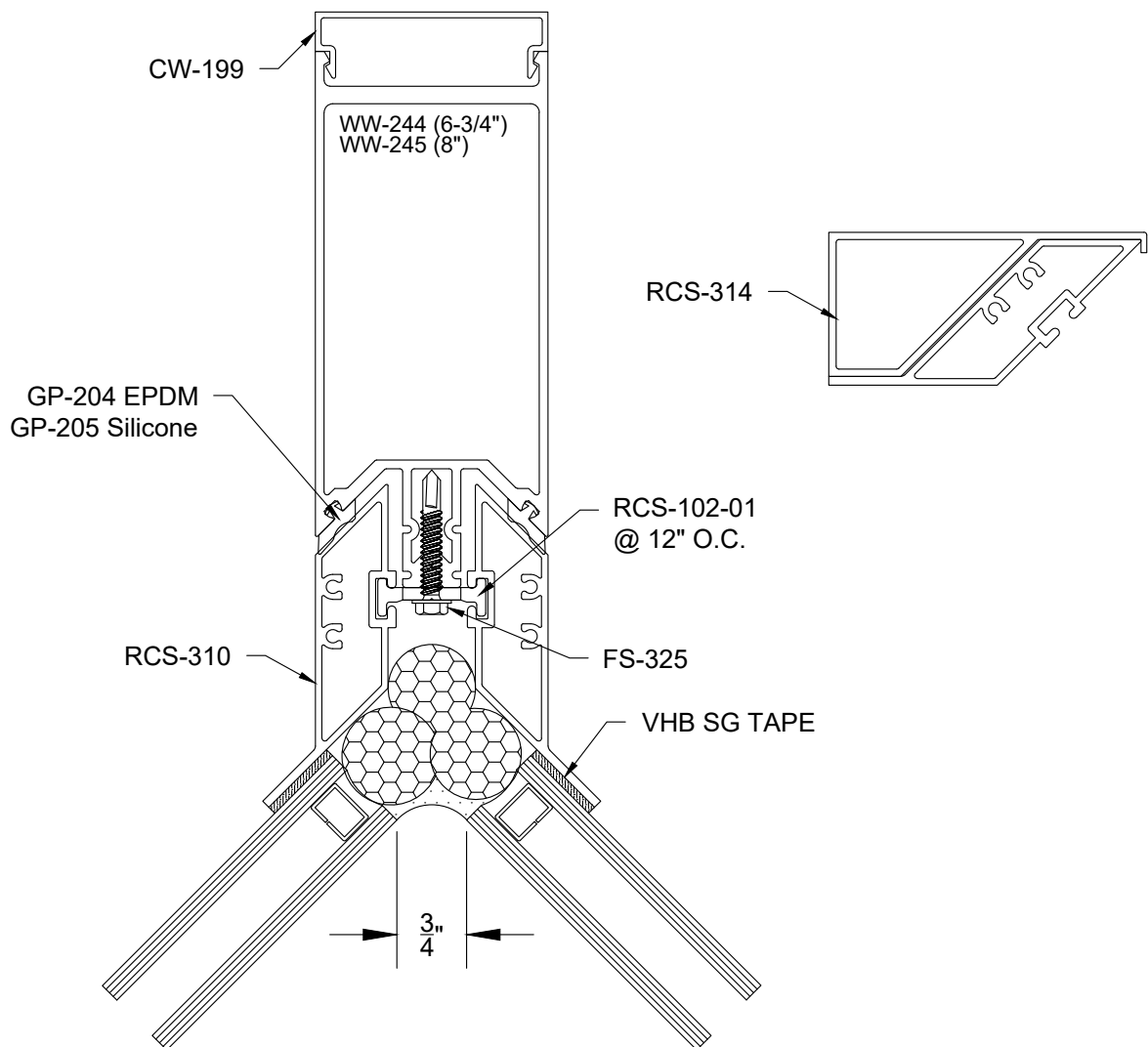
- 2.51 Assemble two mull inside 90 degree corners using RCS-312 corner closure. Closure will attach to mullion stem using RCS-102-01 cassette clips with RCS-108 isolator located at 12" on center. Attach with FS-325 fasteners.
- 2.52 Corner will be assembled using 1/8" formed aluminum closure. An 2-1/4" x 2-1/4" angle closure will be used to tie the two jamb mullions together, shim as required and attach using FS-115 (#10 x 1" pph) fastener at 18" on center.
- 2.53 Interior of corner will be closed off when required using 1/8" formed aluminum closure. AN-1 angles will be attached to jamb mullions using FS-115 fasteners at 24" on center and closure attached to angles using FS-7 (#10 x 3/4" PFH) @ 24" on center.
- 2.54 Glaze corner using RSC-100 cassettes per glazing instructions on Sections 1 thru 4 of manual.



# RELIANCE™ CASSETTE INSTALLATION MANUAL

## 90° INSIDE CORNER INSTALLATION - VHB

- 2.55 Inside 90 single mullion corner will be glazed using standard glazing process as shown in Sections 1 through 4 of this manual.
- 2.56 Using RCS-310 cassette at corner and RCS-100 cassette at other sides of cassette unit. Attach cassette to corner mullion using RCS-102-01 cassette clip at 12" on center. Attach using FS-325 fasteners.
- 2.57 RCS-310 cassette will be applied to glass using VHB structural glazing tape. The RCS-314 assembly guide will be required to roll cassette onto glass, reference page 16 for cassette glazing. Assembly guide should be cut to full length of RCS-310.



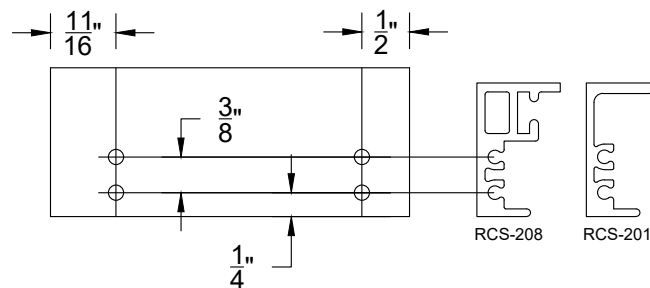


***STRUCTURAL SILICONE GLAZED  
CASSETTE ASSEMBLY AND GLAZING***

# RELIANCE™ CASSETTE INSTALLATION MANUAL

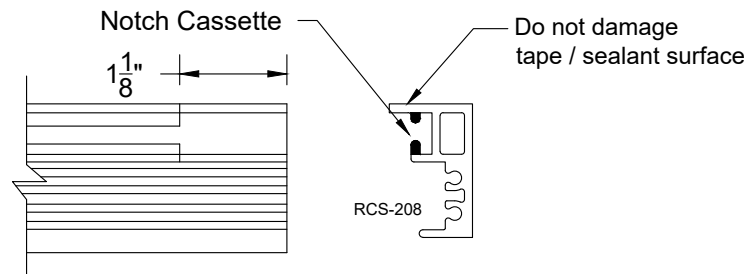
## SSG CASSETTE FABRICATION

- 3.1 Fabricate horizontal cassettes with (2) #17 (.173Ø) holes on each end. SEE FIGURE 28
- 3.2 Fabricate vertical cassettes with slot milled at top end. Slot will be used to insert cassette clips in field. Care should be taken when notching not to damage surface where tape or structural sealant is to be applied. SEE FIGURE 29  
Note: Cassette frames may be assembled without this notch, but all clips must be installed prior to cassette frame assembly and glazing. Additional clips could not be added to unit after assembly without notch.



Note:  $\frac{11}{16}$ " dimension for 4-sided applications and perimeter captured face,  $\frac{1}{2}$ " dimension at intermediate captured conditions.

**FIGURE 28**  
Horizontal Cassette  
Fabrication



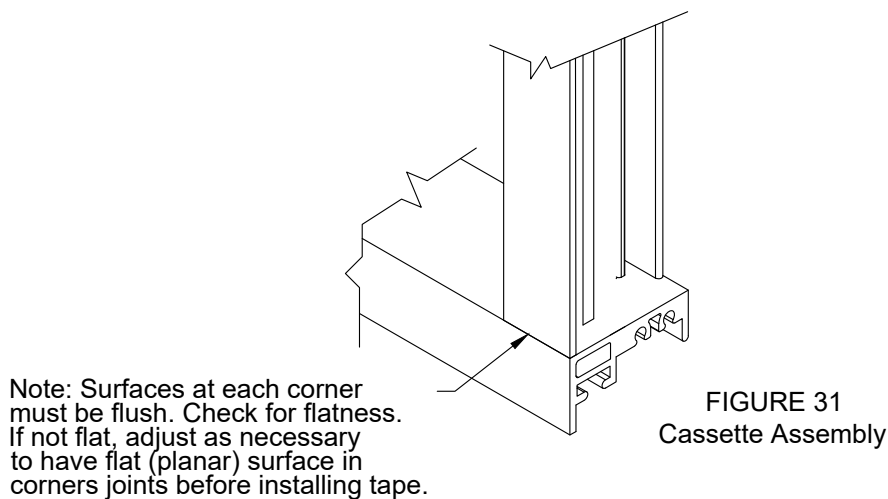
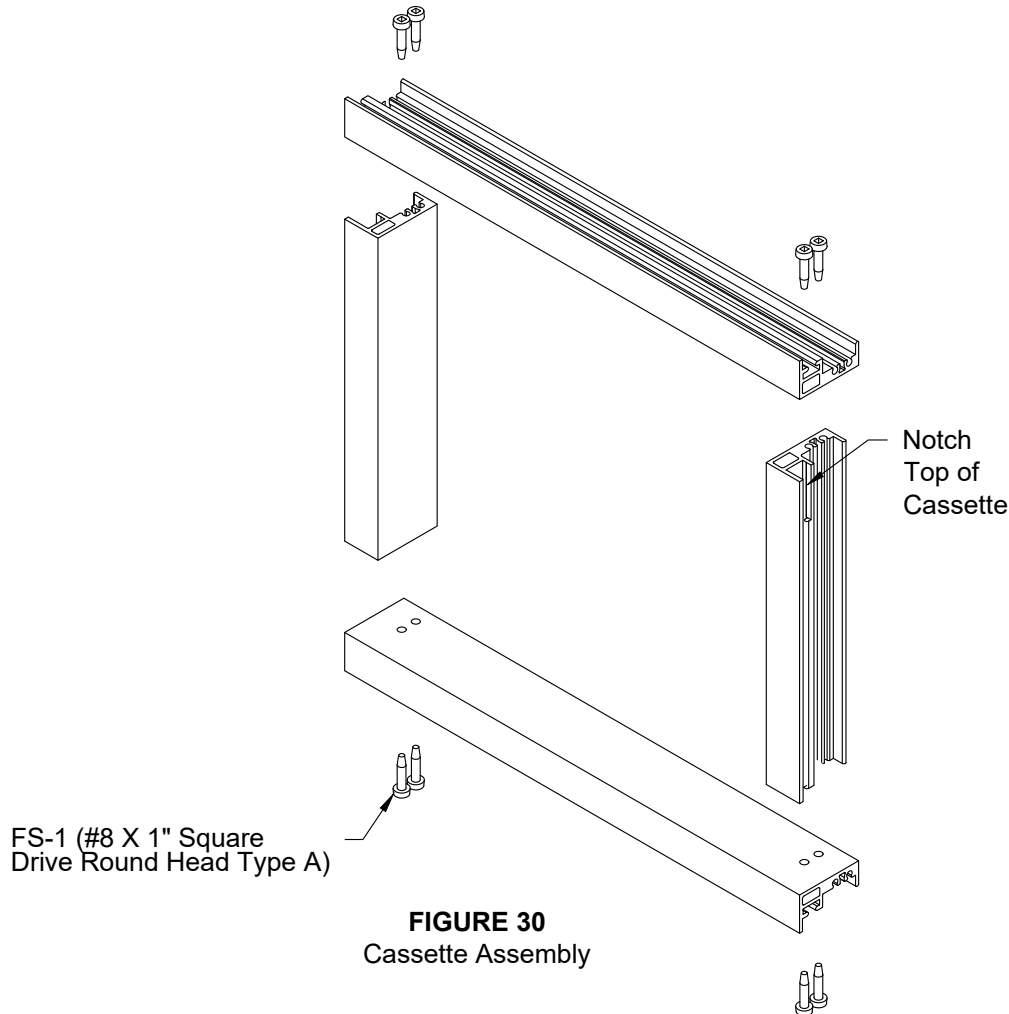
**FIGURE 29**  
Vertical Cassette  
Fabrication



# RELIANCE™ CASSETTE INSTALLATION MANUAL

## SSG CASSETTE ASSEMBLY

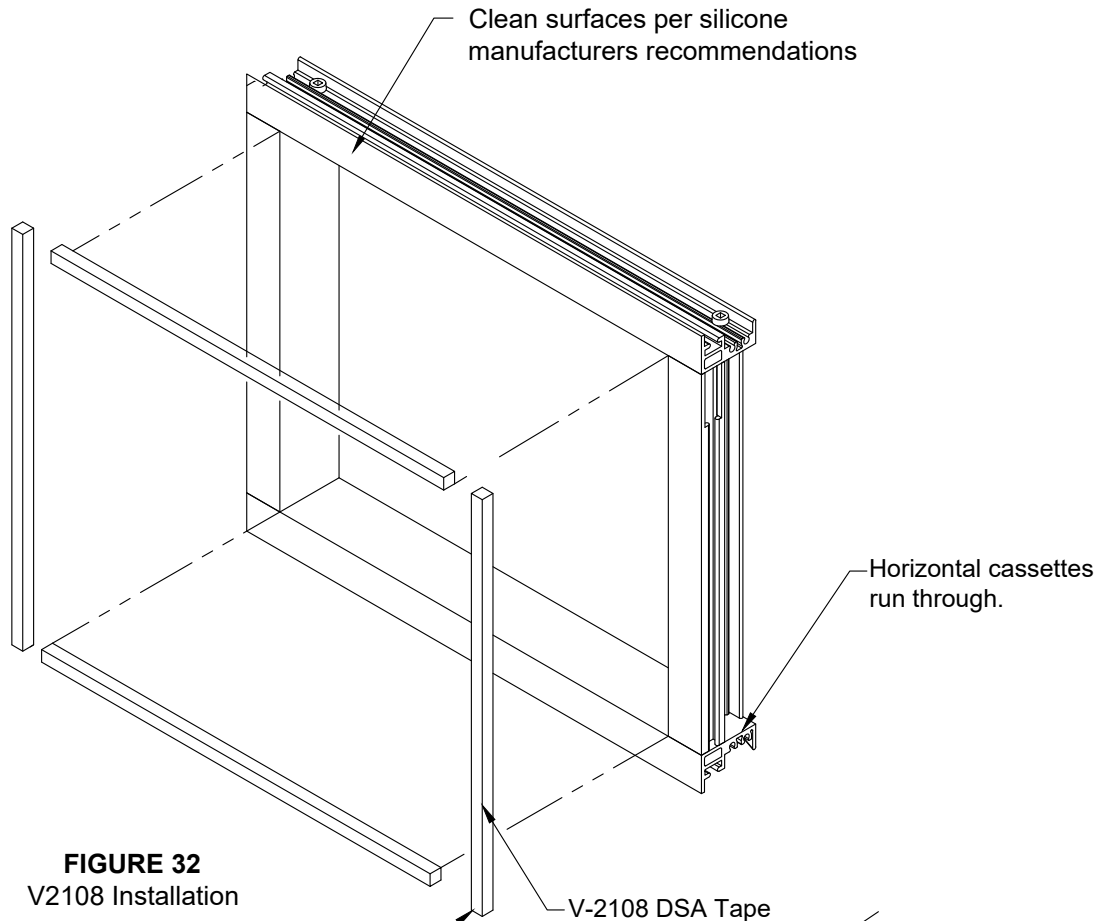
- 3.3 Cassettes will be assembled using (2) FS-1 (#8 x 1" Square Drive Round Head) at each corner. SEE FIGURE 3.
- 3.4 Surface at each corner on tape side of cassette must be flush. Check for flatness. If not flat, adjust as necessary to have flat (planar) surface at corner joints before installing tape. SEE FIGURE 31



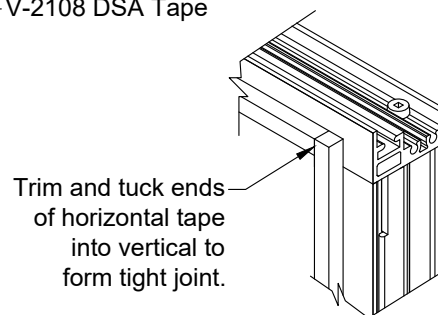
# RELIANCE™ CASSETTE INSTALLATION MANUAL

## SSG CASSETTE GLAZING PREP

- 3.5 Surface of cassette and glass will be cleaned and primed per silicone manufacturers recommendations. **SEE FIGURE 32**
- 3.6 Vertical tape is run through at corners. Tape will be tucked into the corner to form a tight joint. **SEE FIGURE 33**. Tape will be aligned with inside of cassettes.



Vertical tape runs through



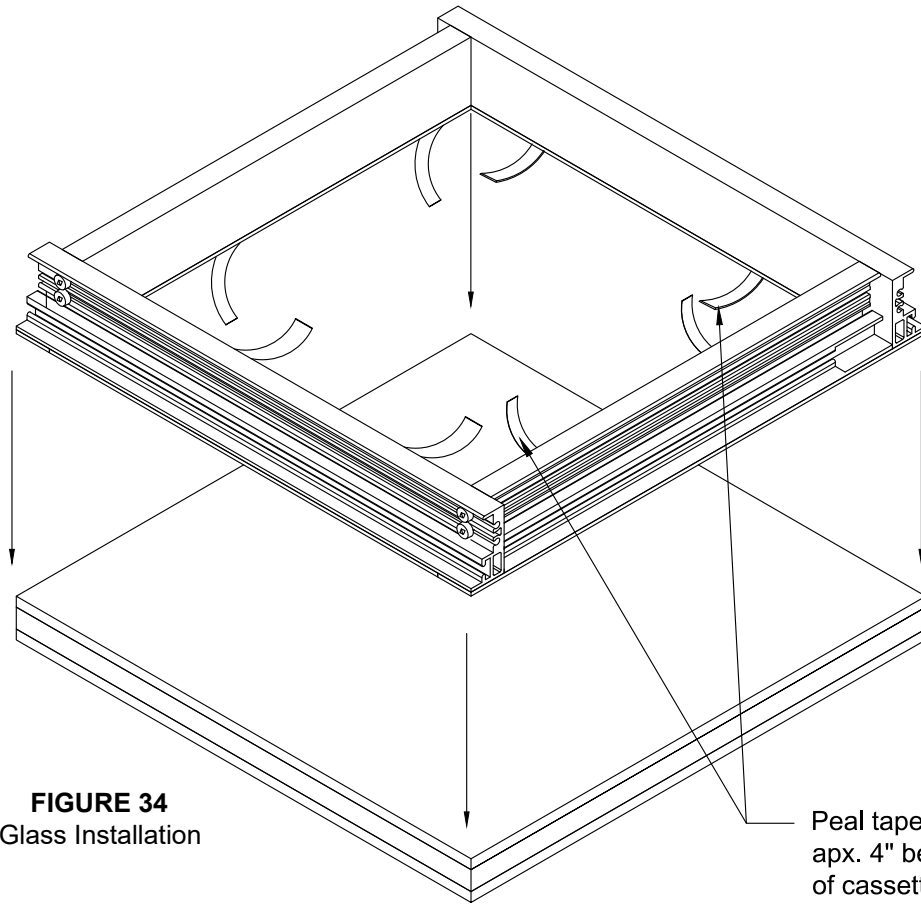
# RELIANCE™ CASSETTE INSTALLATION MANUAL

## SSG CASSETTE GLAZING

- 3.7 Dry Fit Test: Place cassette unit onto glass to ensure glass and unit align properly. Blue protective liner is still in place at this point.
- 3.8 Remove cassette unit from glass. Clean and prime glass per sealant manufacturers instructions. Wipe dust/dirt from protective liner.
- 3.9 Remove approximately 4" of protective liner at each corner from the cassette unit. Take care not to touch or contaminate the exposed adhesive. See FIGURE 34, page 36.
- 3.10 Carefully place cassette unit onto glass. Be sure not to apply pressure to the unit in the corner so they may be moved and aligned with glass.
- 3.11 Once properly aligned, gently press down on the corners of the cassette unit to lock in place. Then working from each end, remove remainder of protective liner. This will require lifting of the cassette unit at the centers to aid in removal and prevent tearing.
- 3.12 Once all of the protective liner is removed, press firmly down onto the cassette on all sides to provide initial adhesion of the V2108 tape to the glass.
- 3.13 Using Structural Silicone as recommended by your choice of manufacturers. Apply sealant around perimeter of cassette unit and tool. Take care to keep sealant out of clip tracks. See FIGURE 35, page 36.
- 3.14 Once sealant is cured the units may be moved to storage area. Do not stack glazed units on top of each other. If stored or crated vertically on edge, be sure there is support for the weight of the glass; i.e. stand at angle on edge of glass and not on edge of frame. See FIGURE 36, page 36.

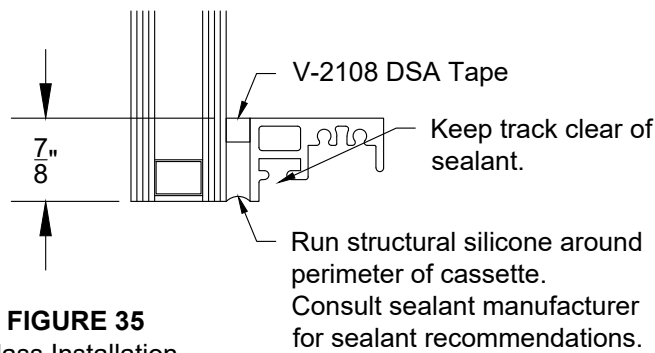
# RELIANCE™ CASSETTE INSTALLATION MANUAL

## SSG CASSETTE GLAZING

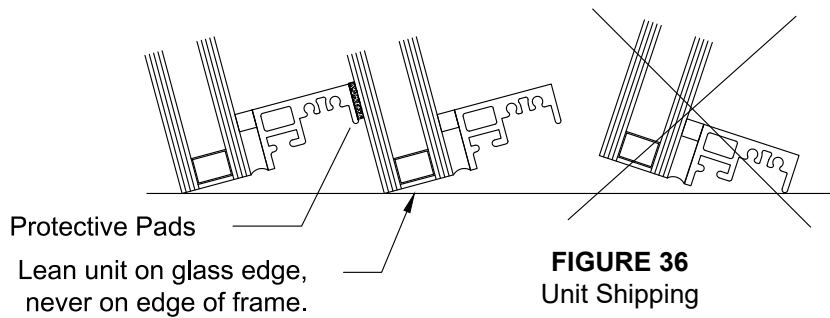


**FIGURE 34**  
Glass Installation

Peel tape at each corner  
apx. 4" before final placement  
of cassette unit on glass.



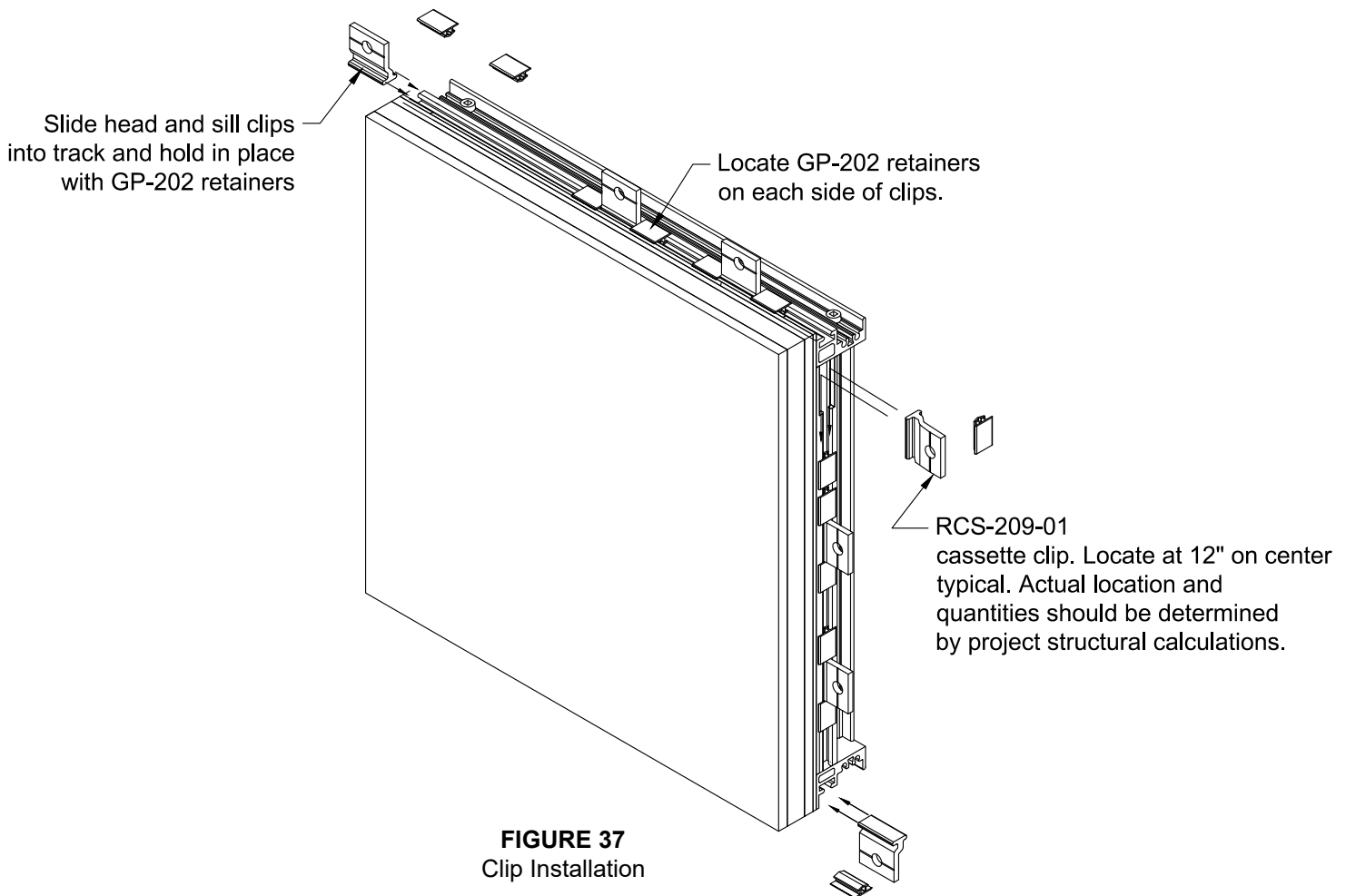
**FIGURE 35**  
Glass Installation



**FIGURE 36**  
Unit Shipping

## SSG CASSETTE UNIT INSTALLATION

- 3.15 Slide RCS-209-01 horizontal clips into head and sill of unit. Hold clips in position using GP-202 retainers. See notes below for further instructions.
- 3.16 Install RCS-209-01 vertical cassette clips by inserting into slot of cassette from top of cassette. Retain clips with GP-202.
- 3.17 Note: Final clip locations will be adjusted on units during installation onto curtain wall.



Note: It is recommended to install cassette clips in field at the sill of each unit to avoid damage to clips and cassette frame. Clips at verticals and head may be installed either in shop or field.

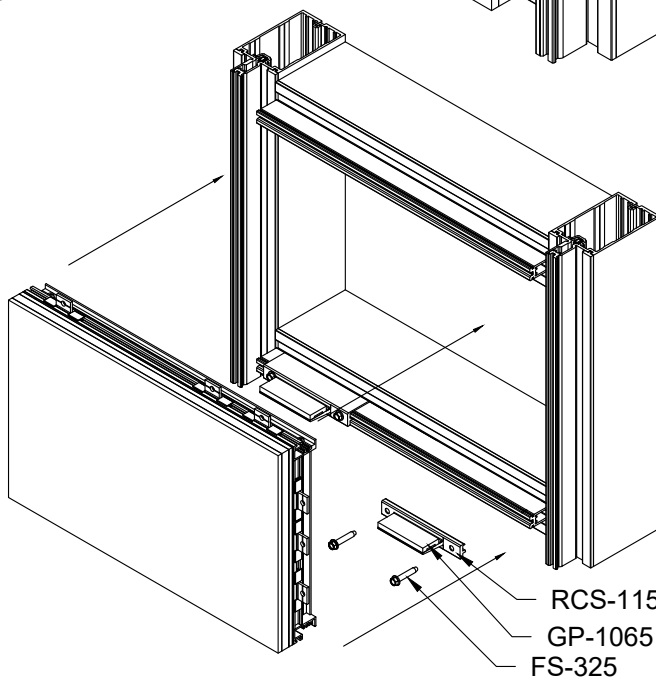
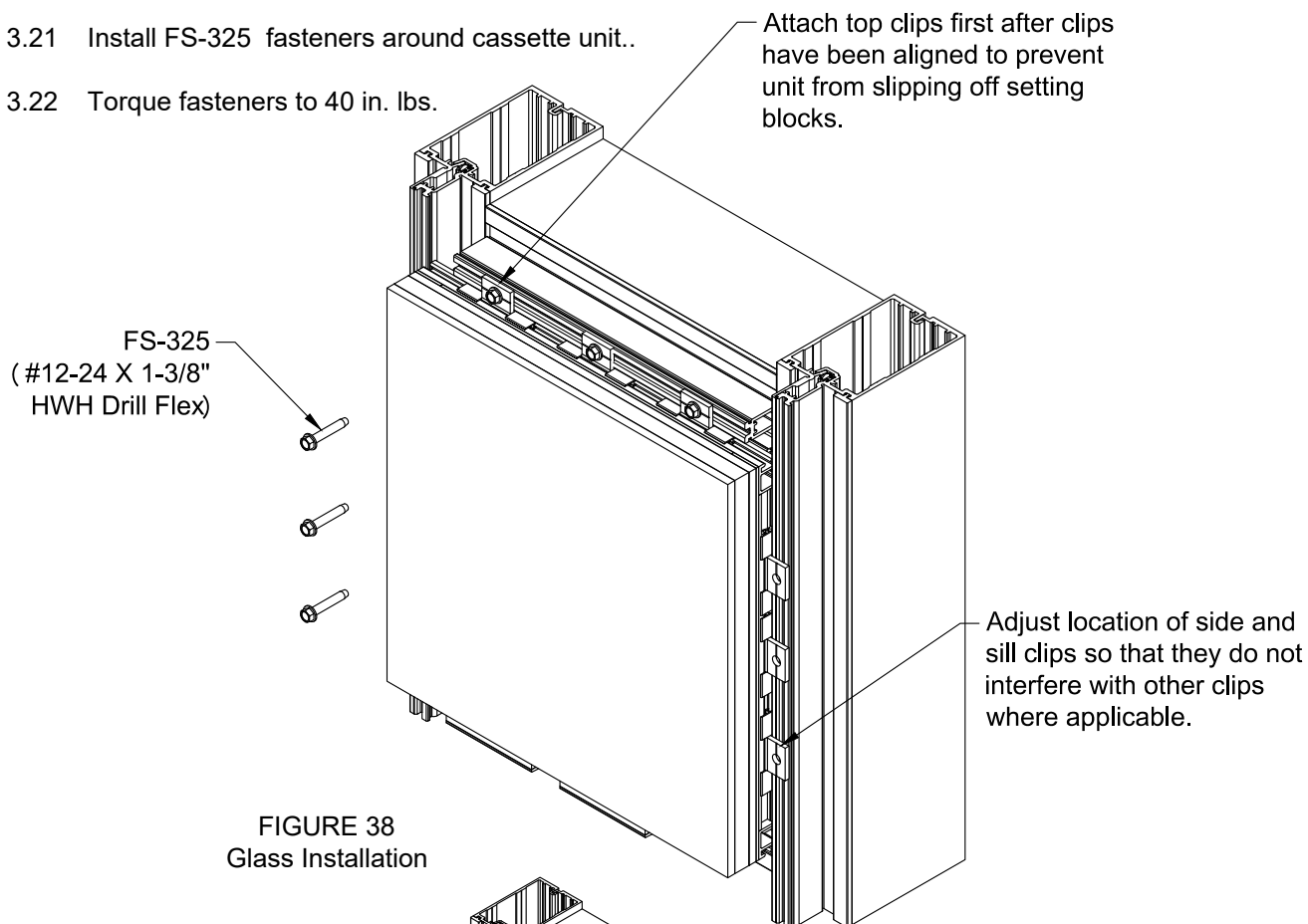
When RCS-201 are used at intermediate captured areas. They will not use cassette clips, but are held in place with WW-162 pressure plates which will be attached with FS-325 fasteners at 9" on center or at spacing as required by engineers calculations.

Perimeter captured areas will use the RCS-102-01 clip in combination with an RCS-112 perimeter closure, RCS-111 pressure plate and WW-110 face cap. The RCS-102-01 clips are attached through the RCS-108 molded isolator with FS-325 and located at 18" on center or minimum 3 per daylight opening. Use FS-322 to attach pressure plate to closure.

# RELIANCE™ CASSETTE INSTALLATION MANUAL

## SSG CASSETTE UNIT INSTALLATION

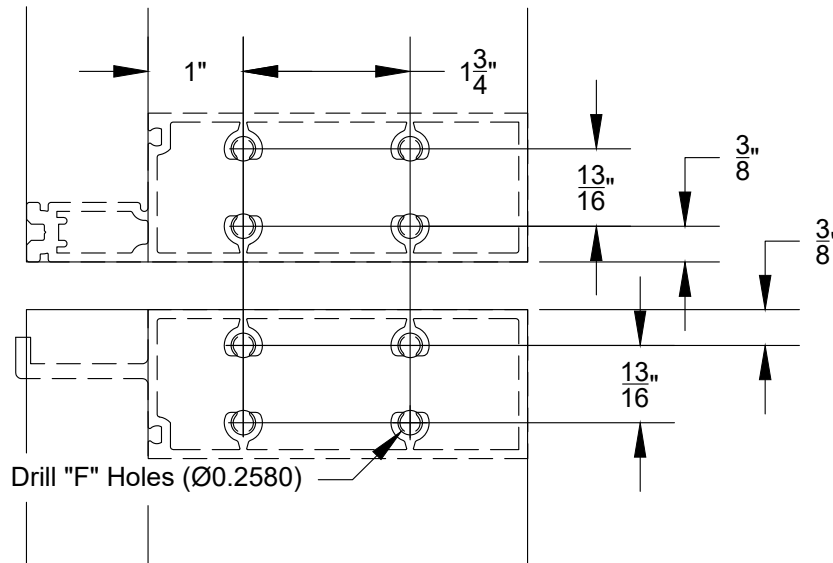
- 3.18 Install RCS-115-01 setting chair with GP-1065 setting block to horizontal. Attach setting chair w/(2)FS-325 (#12-14 x 1-3/8" HWH Drill Flex).
- 3.19 Locate cassette frame unit and glass in opening. Set unit on setting blocks and rotate into position, center in opening so clips align properly. Adjust location of clips on sides and sill so they do not interfere with other clips.
- 3.20 Attach clips at head of unit with FS-325 fasteners.
- 3.21 Install FS-325 fasteners around cassette unit..
- 3.22 Torque fasteners to 40 in. lbs.



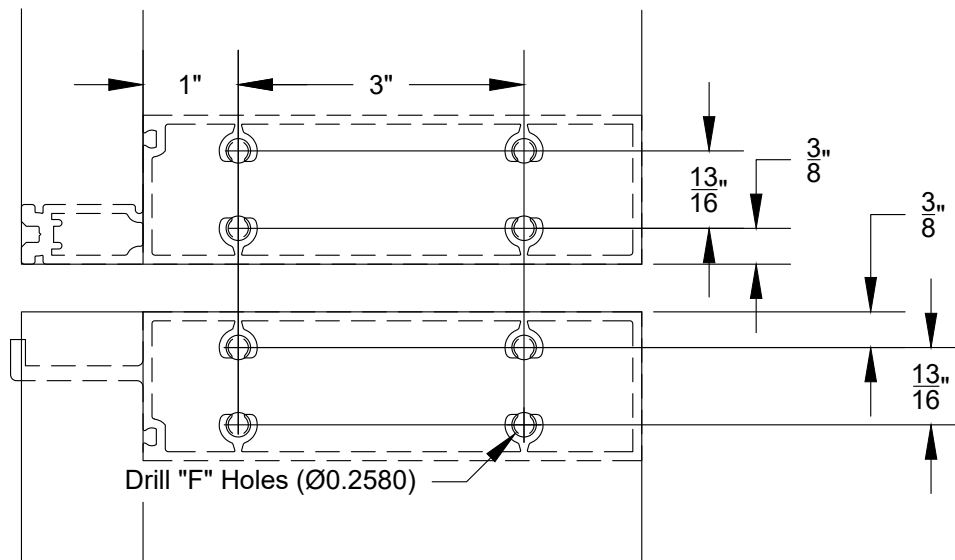
# RELIANCE™ CASSETTE INSTALLATION MANUAL

## SSG CASSETTE EXPANSION HORIZONTAL SCREW SPLINE FABRICATION

- 3.24 When using the WW-427 & WW-428, horizontals for the expansion horizontal connection fabricate top and bottom of mullion as shown in FIGURE 39. If using WW-527 & WW-528 fabricate per FIGURE 40.



**FIGURE 39**  
Fabrication for  
WW-427 & WW-428

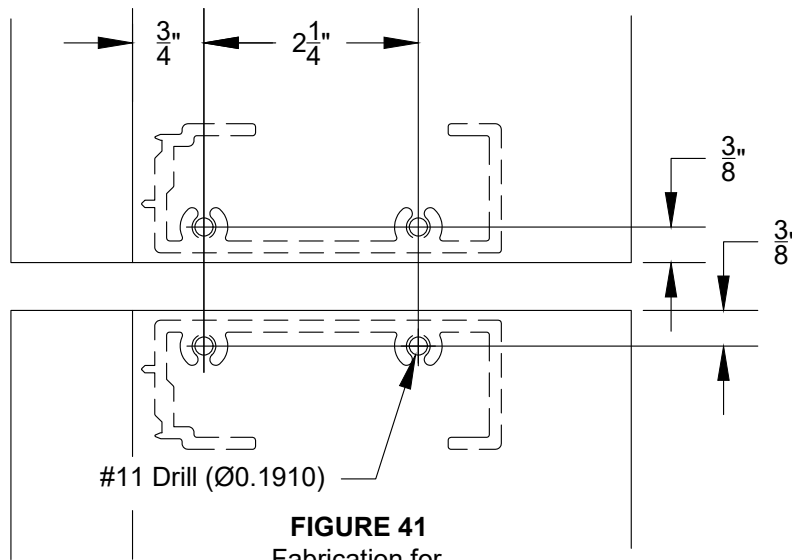


**FIGURE 40**  
Fabrication for  
WW-527 & WW-528

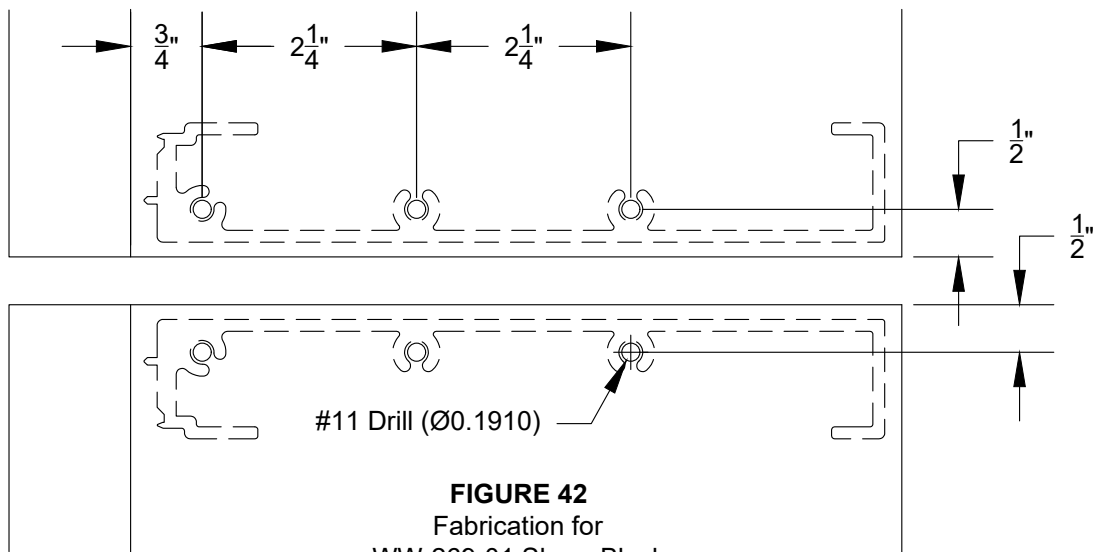
# RELIANCE™ CASSETTE INSTALLATION MANUAL

## SSG CASSETTE EXPANSION HORIZONTAL SHEAR BLOCK FABRICATION

- 3.25 When using the WW-436, WW-437, WW-536, WW-537 horizontals for the expansion horizontal connection fabricate top and bottom of mullion as shown in FIGURE 41. If using WW-836 & WW-837 fabricate per FIGURE 42. Note that the dimension from the end of mullions to hole center line is different in these two drawings.



**FIGURE 41**  
Fabrication for  
WW-268-01 Shear Block



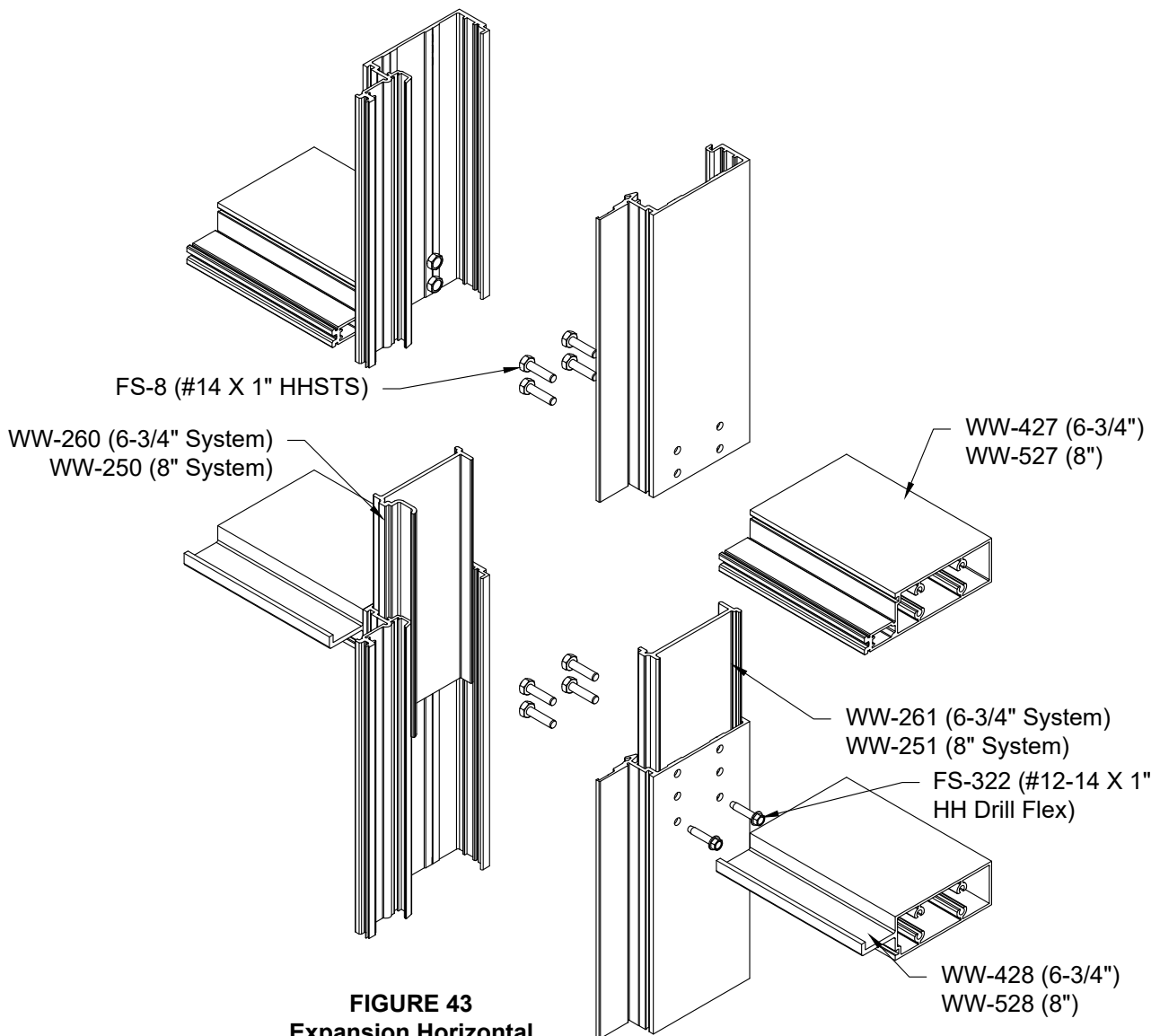
**FIGURE 42**  
Fabrication for  
WW-269-01 Shear Block



# RELIANCE™ CASSETTE INSTALLATION MANUAL

## SSG CASSETTE EXPANSION HORIZONTAL SCREW SPLINE ASSEMBLY

- 3.26 FIGURE 43 below shows the screw spline assembly for the dual horizontal expansion assembly. Use the Reliance™-SS Installation Manual for typical wall assembly.
- 3.27 Attach horizontals to vertical mullions using FS-8 (#14 x 1" HHSTS). Four (4) fasteners per connection will be required.
- 3.28 Once horizontal are installed. Slide splices into vertical mullion and attach using (2) two FS-322 (#12-24 x 1" HH Drill Flex). Splices may be installed in upper or lower mullion depending on project requirements.

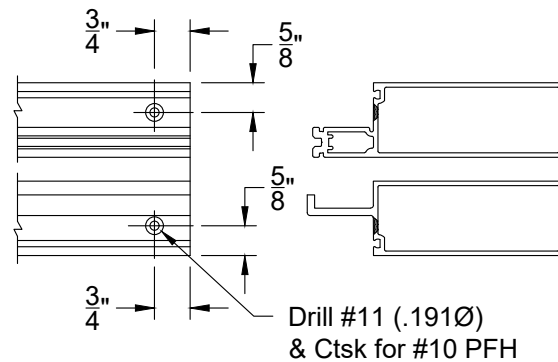


**FIGURE 43**  
**Expansion Horizontal**  
**Screw Spline Assembly**

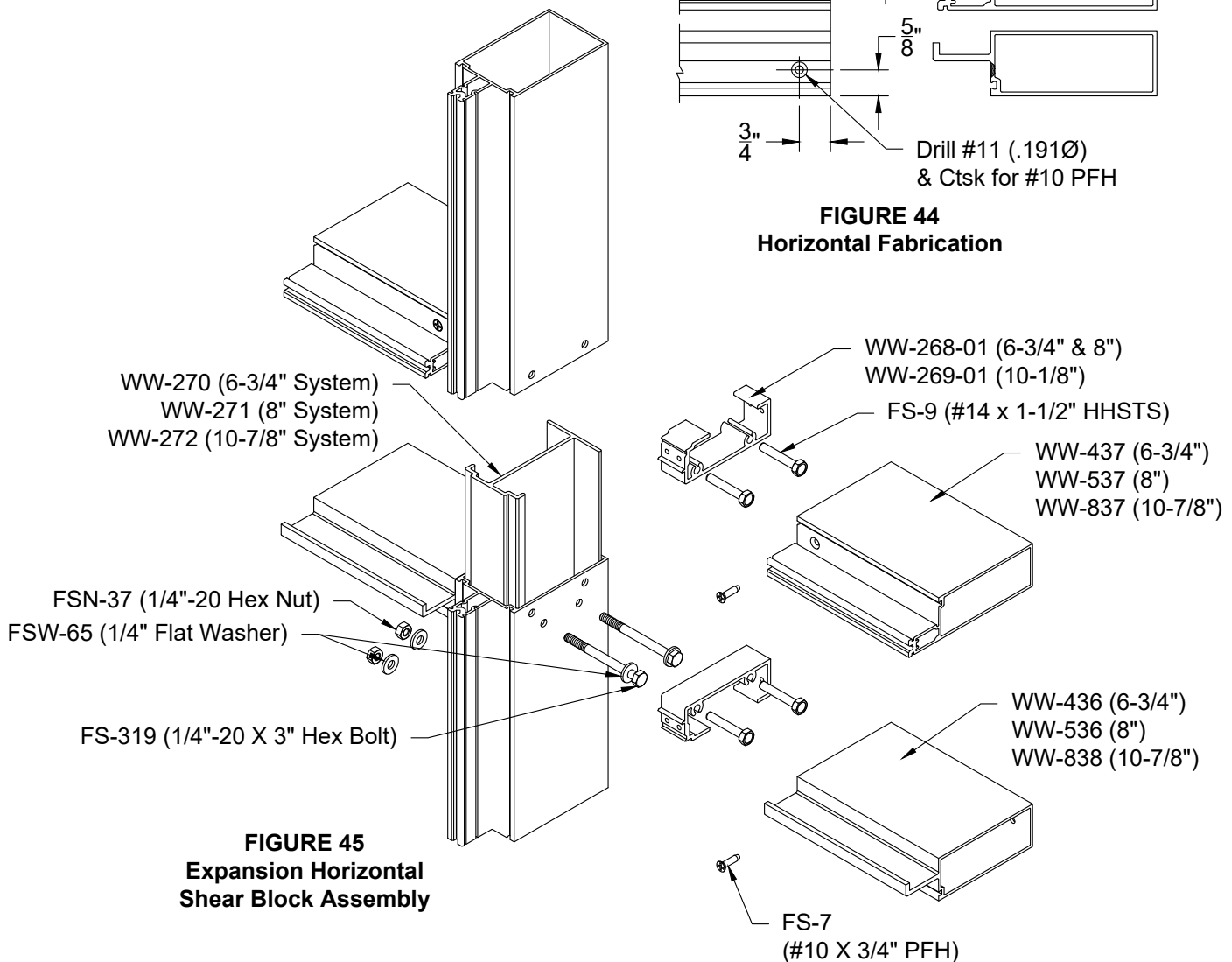
# RELIANCE™ CASSETTE INSTALLATION MANUAL

## SSG CASSETTE EXPANSION HORIZONTAL SHEAR BLOCK ASSEMBLY

- 3.29 FIGURE 45 below shows the shear block assembly for the dual horizontal expansion assembly. Use the Reliance Installation Manual for typical wall assembly.
- 3.30 Fabricate horizontals per FIGURE 44. Drill #11 (.191Ø) holes at each end for #10 Phillips Flat head fasteners.
- 3.31 Attach WW-268-01 (WW-269-01) shear blocks to mullion using (2) FS-9 (#14 x 1-1/2" PFH) fasteners. Horizontal will attach to shear block using (1) FS-7 (#10 x 3/4" PFH) at each end.
- 3.32 Once horizontal are installed. Slide splices into vertical mullion and attach using (2) FS-319 w/ FSN-37 nut and FSW-65 flat washers. Splices may be installed in upper or lower mullion depending on project requirements.



**FIGURE 44**  
Horizontal Fabrication

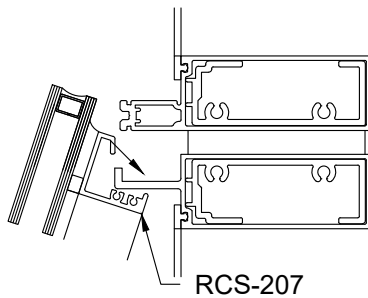


**FIGURE 45**  
Expansion Horizontal  
Shear Block Assembly

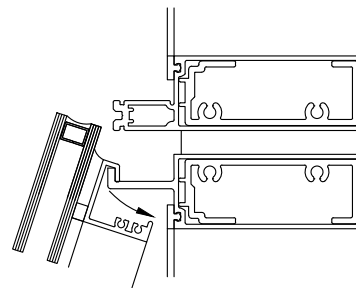
# RELIANCE™ CASSETTE INSTALLATION MANUAL

## SSG CASSETTE EXPANSION HORIZONTAL GLAZING

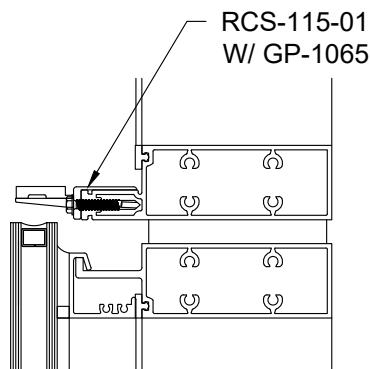
- 3.33 Glazing of screw spline and shear block systems will use same methods and sequence. Install lower lite first, leaving setting chair and block off of horizontal above will increase clearances for installation.
- 3.34 Install lower lite by dropping hook of RCS-207 over tongue of horizontal and rotating into position as shown in **FIGURES 46 & 47**. Once glass is in position secure in place using RCS-202-01 cassette clips using a FS-325 fastener. Locate clips at 12" on center at verticals and sill of lite.
- 3.35 Install RCS-115-01 setting chair on upper horizontal using (2) FS-325 fasteners. Install GP-1065 setting block onto chair. **FIGURE 48**
- 3.36 Glaze upper lite above and secure using RCS-209-01 cassette clips using FS-325 fasteners and locate at 12" on center. **FIGURE 49**



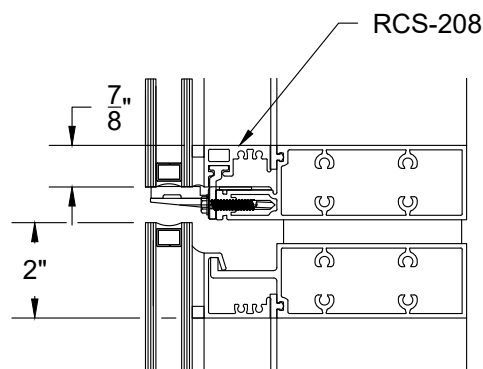
**FIGURE 46**  
Set lower cassette  
over tongue of horizontal



**FIGURE 47**  
Rotate into opening  
and attach using cassette  
clips and FS-325



**FIGURE 48**  
Install setting chair  
& setting block for  
lite above

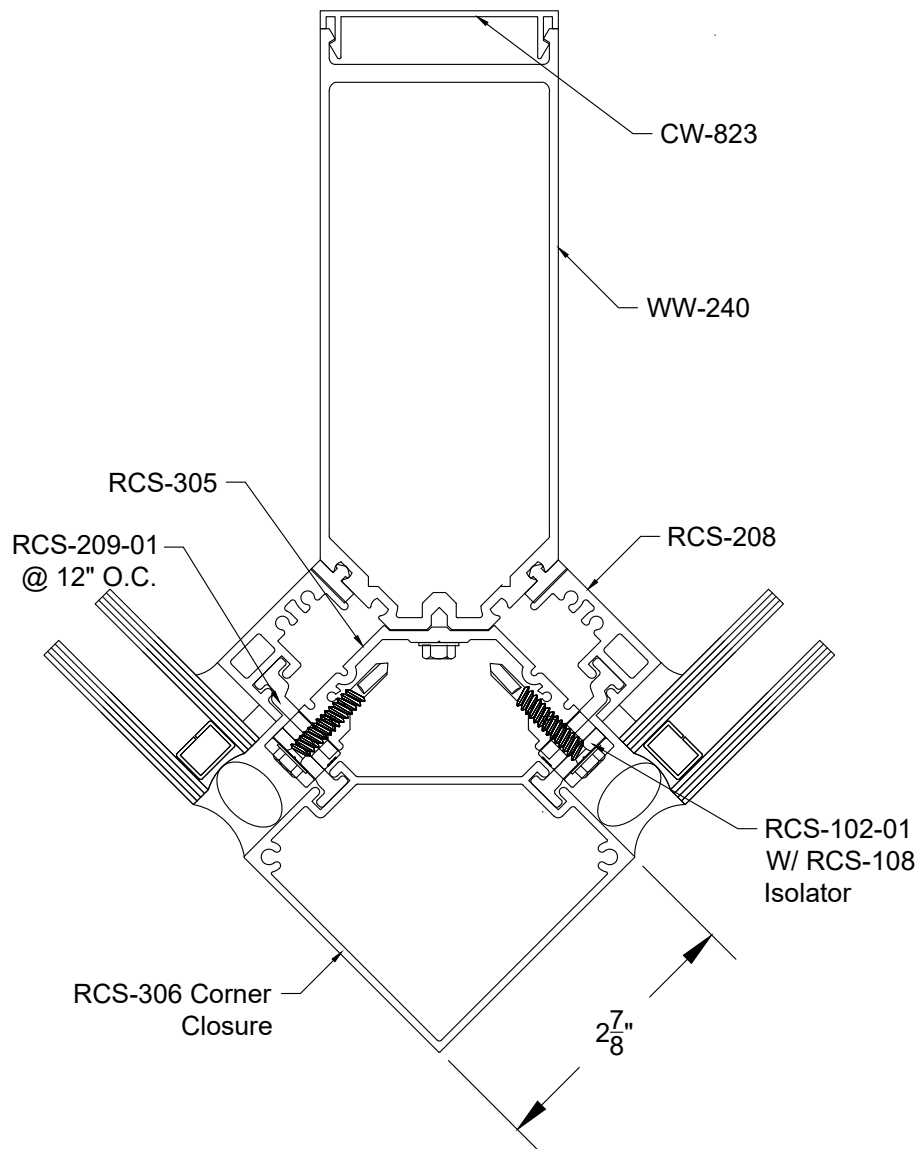


**FIGURE 49**  
Install upper lite and  
secure in place using  
clips and FS-325

# RELIANCE™ CASSETTE INSTALLATION MANUAL

## 90° OUTSIDE CORNER INSTALLATION - SSG

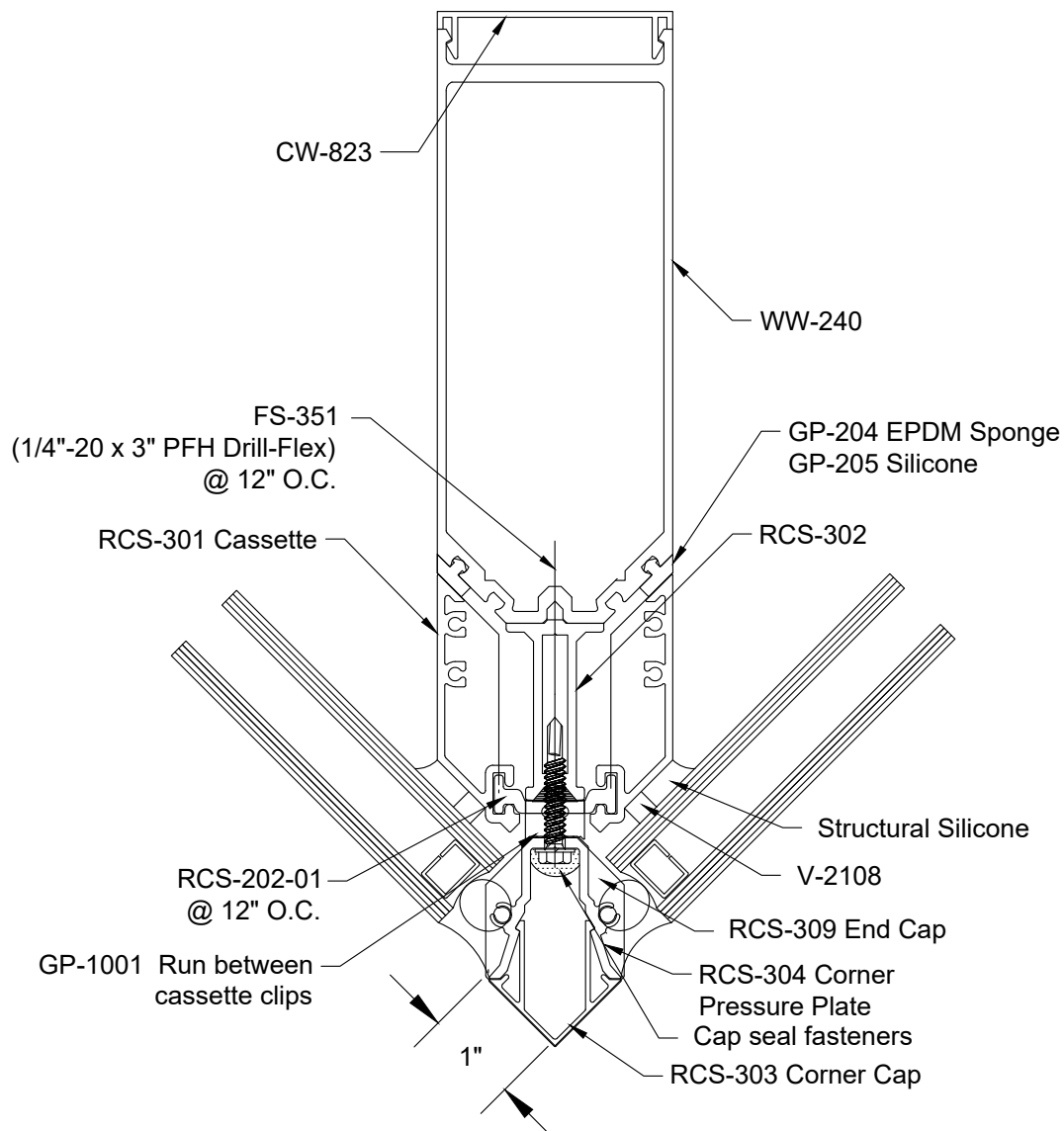
- 3.37 Installation of RCS-306 corner will use typical cassette installation as shown in sections 1 through 4. RCS-208 cassettes will be used and attach to RCS-305 with RCS-209-01 cassette clip and FS-325 fasteners.
- 3.38 RCS-305 will attach to corner mullion with FS-325 fasteners at 12" on center.
- 3.39 RCS-307 mull cap will be attached to each end of RCS-306 and bed in sealant.
- 3.40 RCS-108 isolators will be used with RCS-102-01 cassette clips on RCS-306 similar to perimeter cassettes
- 3.41 Seal between glass and RCS-306 and perimeter as shown in perimeter sealant instructions.



# RELIANCE™ CASSETTE INSTALLATION MANUAL

## 90° OUTSIDE CORNER INSTALLATION - SSG

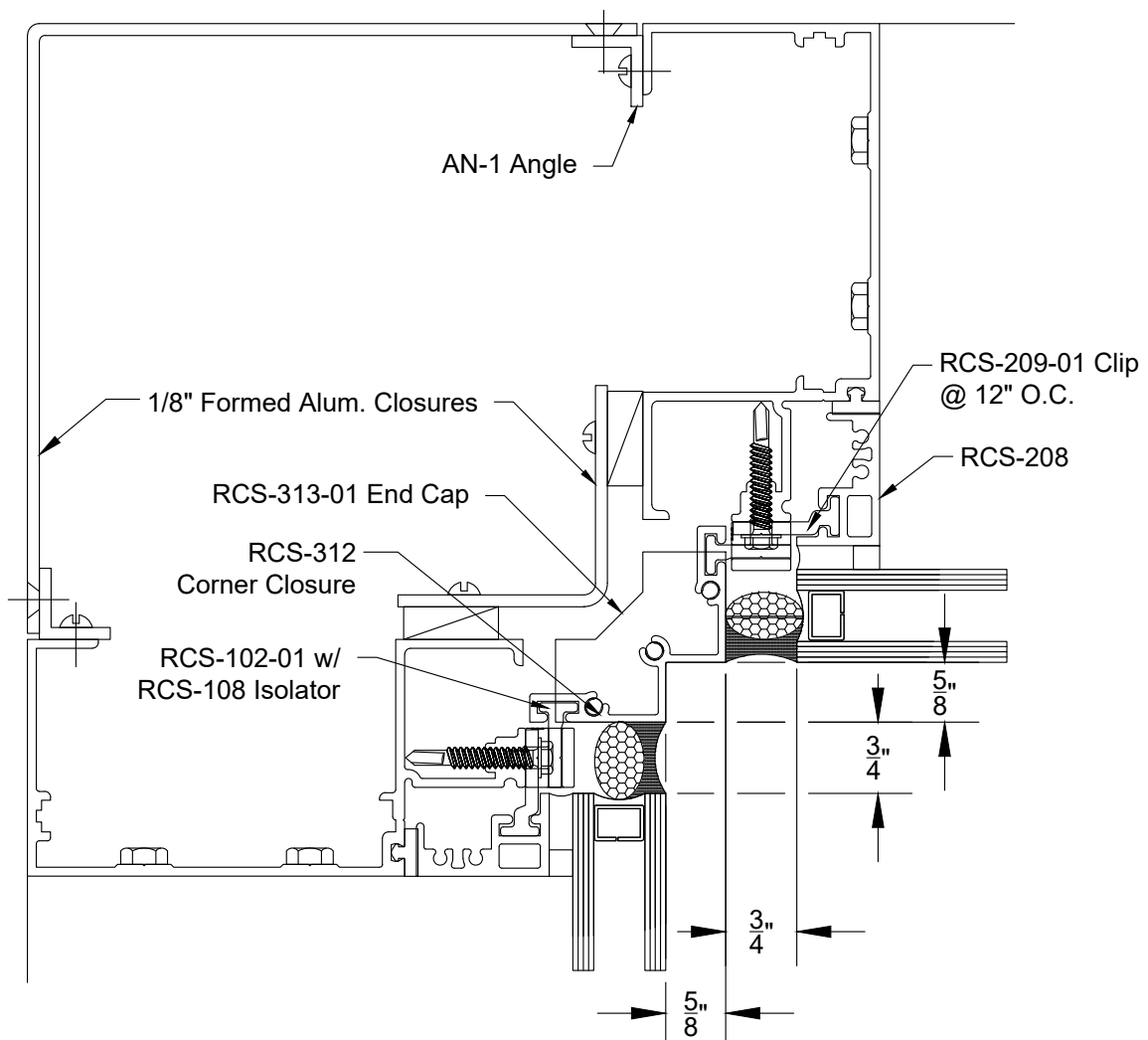
- 3.46 RCS-302 will attach to corner mullion with FS-351 (1/4"-20 x 3" PFH Drill Flex) fasteners at 12" on center.
- 3.47 Installation of corner will use typical cassette installation as shown in sections 1 through 4. RCS-301 cassettes will be used at corner and attach to RCS-302 with RCS-102-01 cassette clip and FS-325 fasteners. V-2108 DSA glazing tape will be installed onto RCS-301 just along edge of clip track, then adhered to glass. Structural Silicone to fill area between tape and edge of cassette per silicone manufacturers recommendations.
- 3.48 Install GP-1001 isolator gasket to face of RCS-302 and attach RCS-304 pressure plate using FS-325 fasteners at 9" on center. Cap seal FS-325 fasteners.
- 3.49 RCS-309 mull cap will be attached to each end of RCS-304 using FS-202 drive screws and bed in sealant. Snap RCS-303 face cap to the RCS-304 pressure plate as shown.
- 3.50 Seal between glass and RCS-304 and perimeter as shown in perimeter sealant instructions.



# RELIANCE™ CASSETTE INSTALLATION MANUAL

## 90° INSIDE CORNER INSTALLATION - SSG

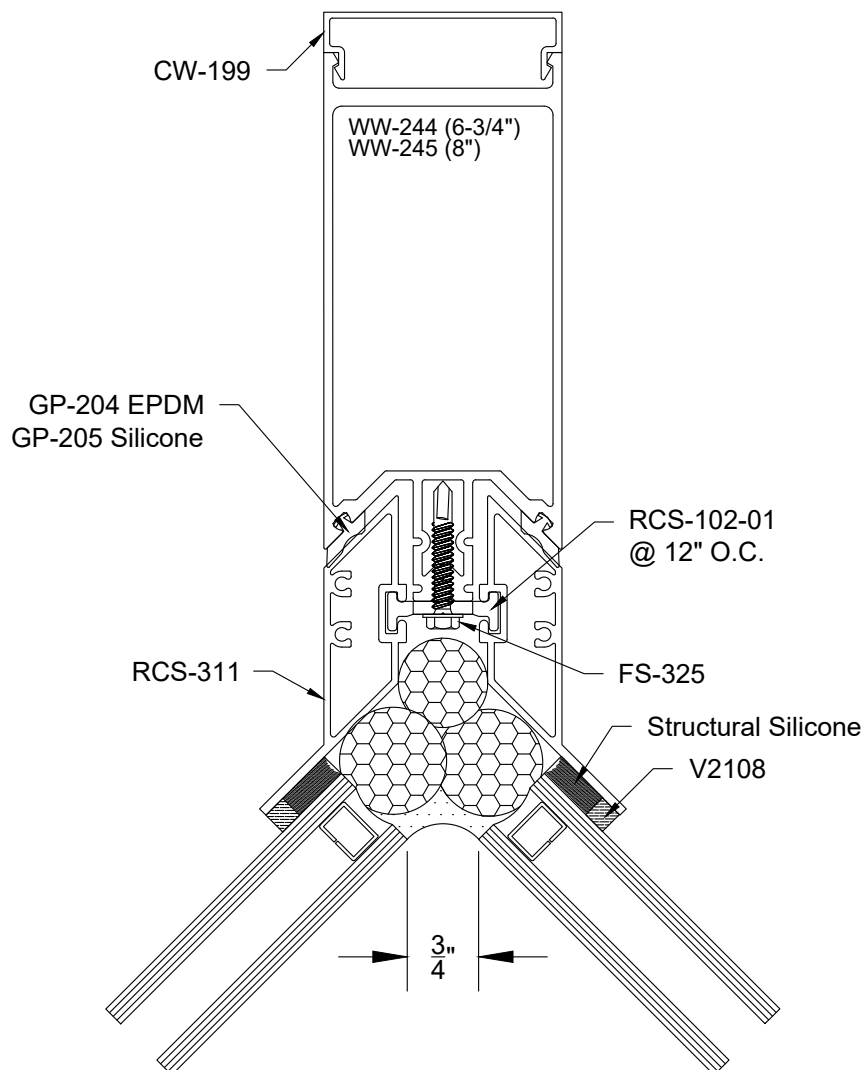
- 3.51 Assemble two mull inside 90 degree corners using RCS-312 corner closure. Closure will attach to mullion stem using RCS-102-01 cassette clips with RCS-108 isolator located at 12" on center. Attach with FS-325 fasteners.
- 3.52 Corner will be assembled using 1/8" formed aluminum closure. An 2-1/4" x 2-1/4" angle closure will be used to tie the two jamb mullions together, shim as required and attach using FS-115 (#10 x 1" pph) fastener at 18" on center.
- 3.53 Interior of corner will be closed off when required using 1/8" formed aluminum closure. AN-1 angles will be attached to jamb mullions using FS-115 fasteners at 24" on center and closure attached to angles using FS-7 (#10 x 3/4" PFH) @ 24" on center.
- 3.54 Glaze corner using RCS-208 SSG cassettes per glazing instructions In Sections 1 thru 4 of manual.



# RELIANCE™ CASSETTE INSTALLATION MANUAL

## 90° INSIDE CORNER INSTALLATION - SSG

- 3.58 Inside 90 single mullion corner will be glazed using standard glazing process as shown in Sections 1 through 4 of this manual.
- 3.59 Using RCS-311 cassette at corner and RCS-100 cassette at other sides of cassette unit. Attach cassette to corner mullion using RCS-102-01 cassette clip at 12" on center. Attach using FS-325 fasteners.
- 3.60 RCS-311 cassette will be applied to glass using V2108 DSA glazing tape. Joint to interior of cassette will then be sealed using structural silicone. Silicone manufacturer should recommend sealant and primers as needed.





**Oldcastle** BuildingEnvelope®

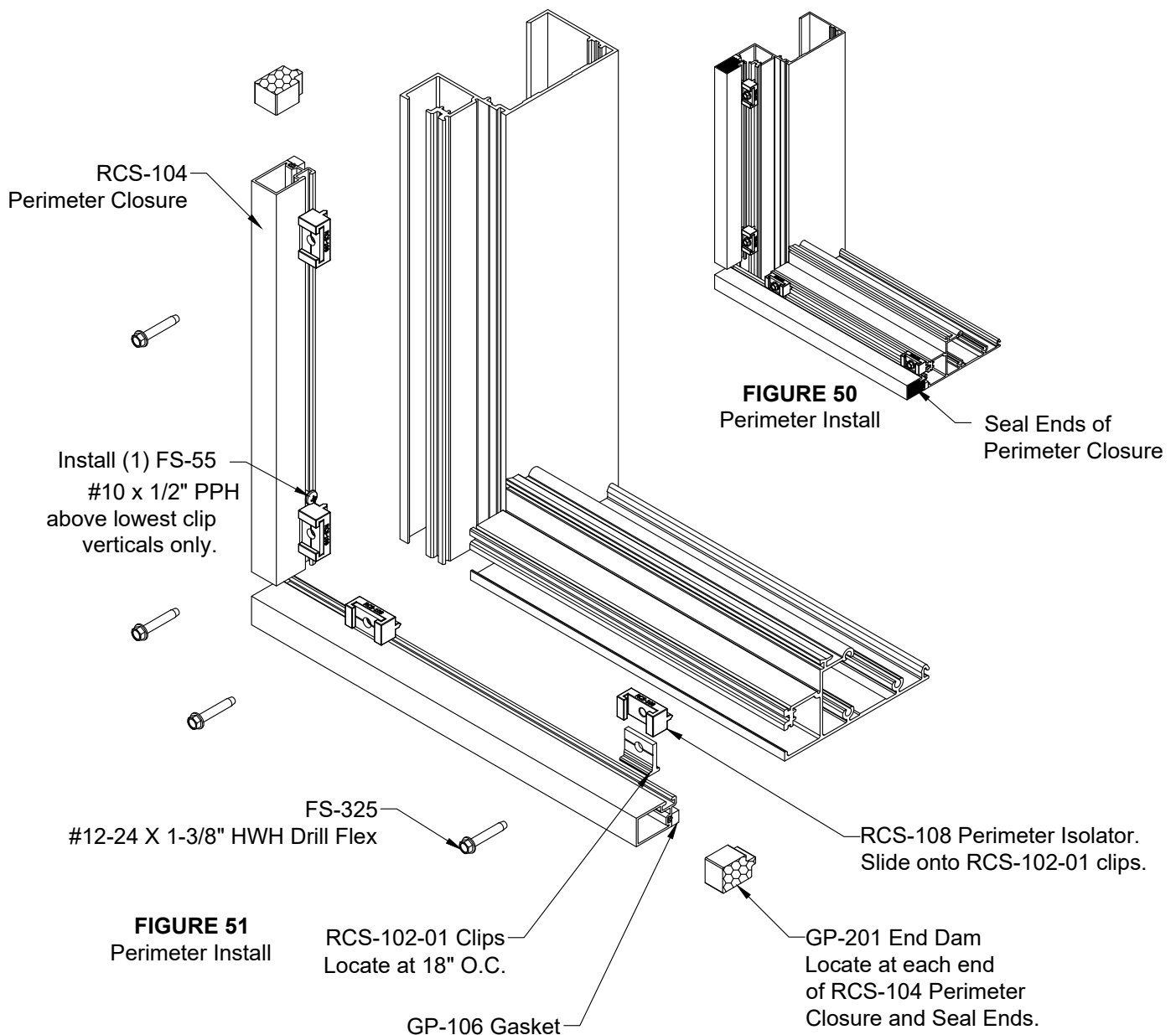
***PERIMETER CLOSURE  
ASSEMBLY & GLAZING***



# RELIANCE™ CASSETTE INSTALLATION MANUAL

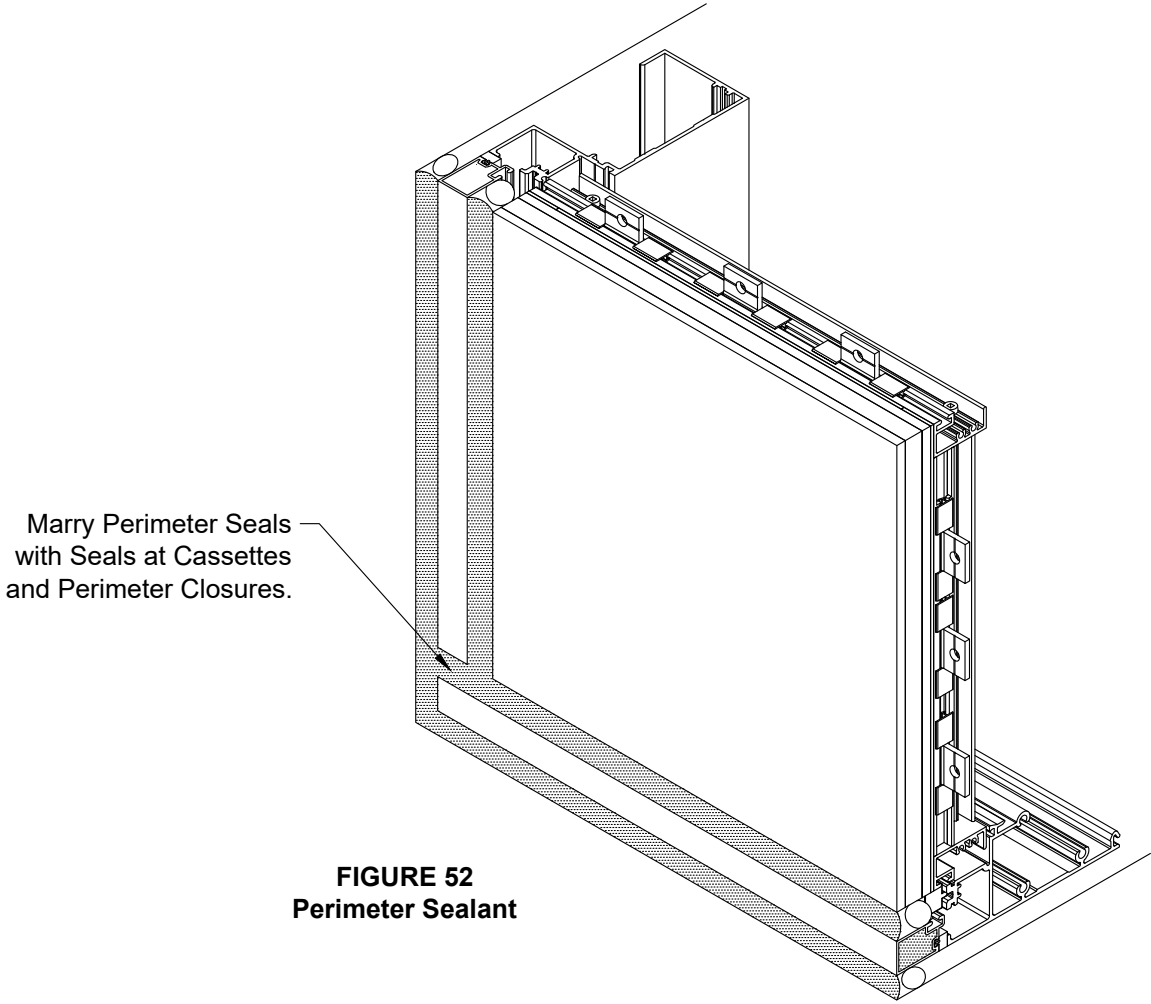
## PERIMETER CLOSURE ASSEMBLY

- 4.1 Install GP-201 end dams at ends of RCS-104 perimeter closures and seal. SEE FIGURE 50
- 4.2 Install RCS-102-01 cassette clips into perimeter closure at 18" on center maximum. Slip RCS-108 isolator onto each clip. SEE FIGURE 51
- 4.3 Install perimeter closure onto framing system using FS-325 (#12-24 x 1-3/8" HWH Drill Flex).
- 4.4 Head and sill closures will run through with vertical closures between. Maintain 3/4" sealant joint between closures to match joints in cassettes. SEE FIGURE 51
- 4.5 Perimeter sealant will marry into seals between perimeter closures and cassette seals to form uninterrupted primary sealant. SEE FIGURE 52, page 49.



# RELIANCE™ CASSETTE INSTALLATION MANUAL

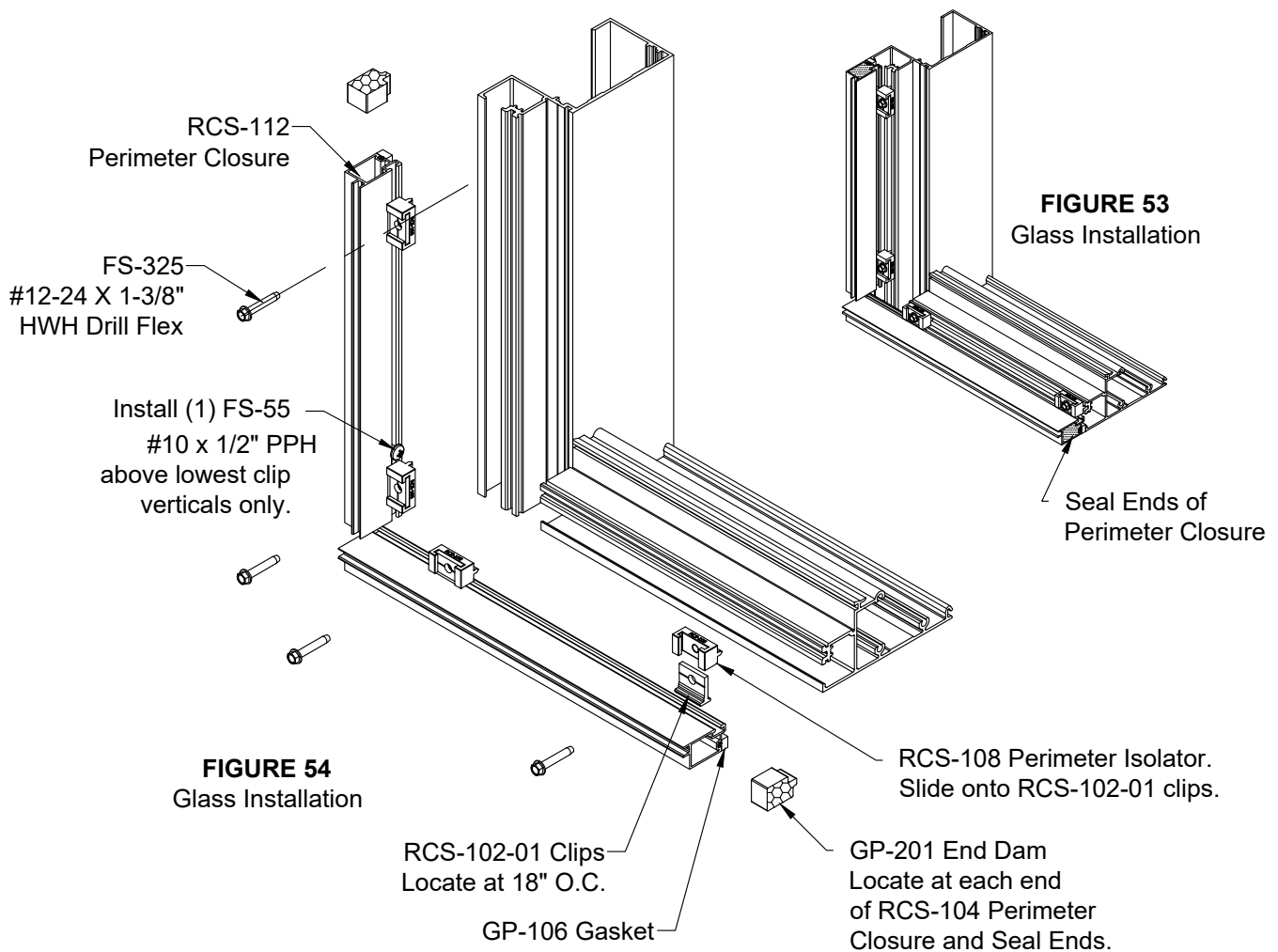
## PERIMETER CLOSURE INSTALLATION



# RELIANCE™ CASSETTE INSTALLATION MANUAL

## CAPTURED PERIMETER CLOSURE ASSEMBLY

- 4.6 Install GP-201 end dams at ends of RCS-112 perimeter closures and seal. SEE FIGURE 53
- 4.7 Install RCS-102-01 cassette clips into perimeter closure at 18" on center maximum. Slip RCS-108 isolator onto each clip. SEE FIGURE 54
- 4.8 Install perimeter closure onto framing system using FS-325 (#12-24 x 1-3/8" HWH Drill Flex).
- 4.9 Head and sill closures will run through with vertical closures between. Maintain 3/4" sealant joint between closures to match joints in cassettes SEE FIGURE 53
- 4.10 Perimeter sealant will marry into seals between perimeter closures and cassette seals to form uninterrupted primary sealant. SEE FIGURE 55, page 52

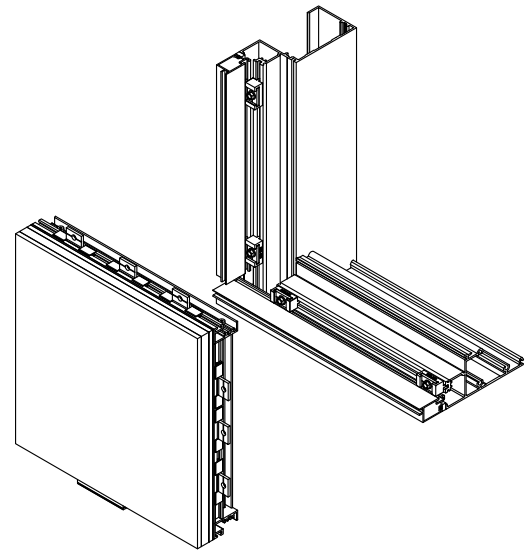


# RELIANCE™ CASSETTE INSTALLATION MANUAL

## CAPTURED PERIMETER CLOSURE INSTALLATION

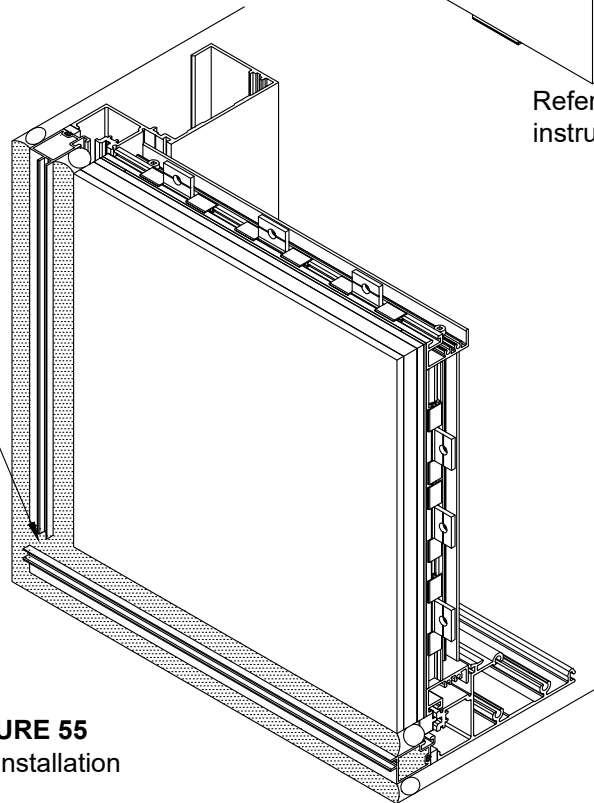
### Notes:

- 4.11 Reference cassette installation instructions for additional glazing information.
- 4.12 Seal perimeter and joinery between all lites of glass prior to installing perimeter pressure plates or face cap. SEE FIGURE 55
- 4.13 RCS-111 pressure plate will be used at perimeter only. Install GP-50008 gasket at glazing side of pressure plate and GP-106 at perimeter. SEE FIGURE 56, page 53
- 4.14 Attach pressure plate with FS-322 (#12-14 x 1" HWH Drill-Flex) at 18" on center. SEE FIGURE 56, page 53 (Note: Do not use FS-325, #12-24 x 1-3/8" HWH at RCS-112, will result in penetration of interior of closure and water infiltration, See FIGURE 31, page 24.)
- 4.15 Snap WW-110 face cap over pressure plate. SEE FIGURE 57, page 53



Reference cassette installation instructions for additional information.

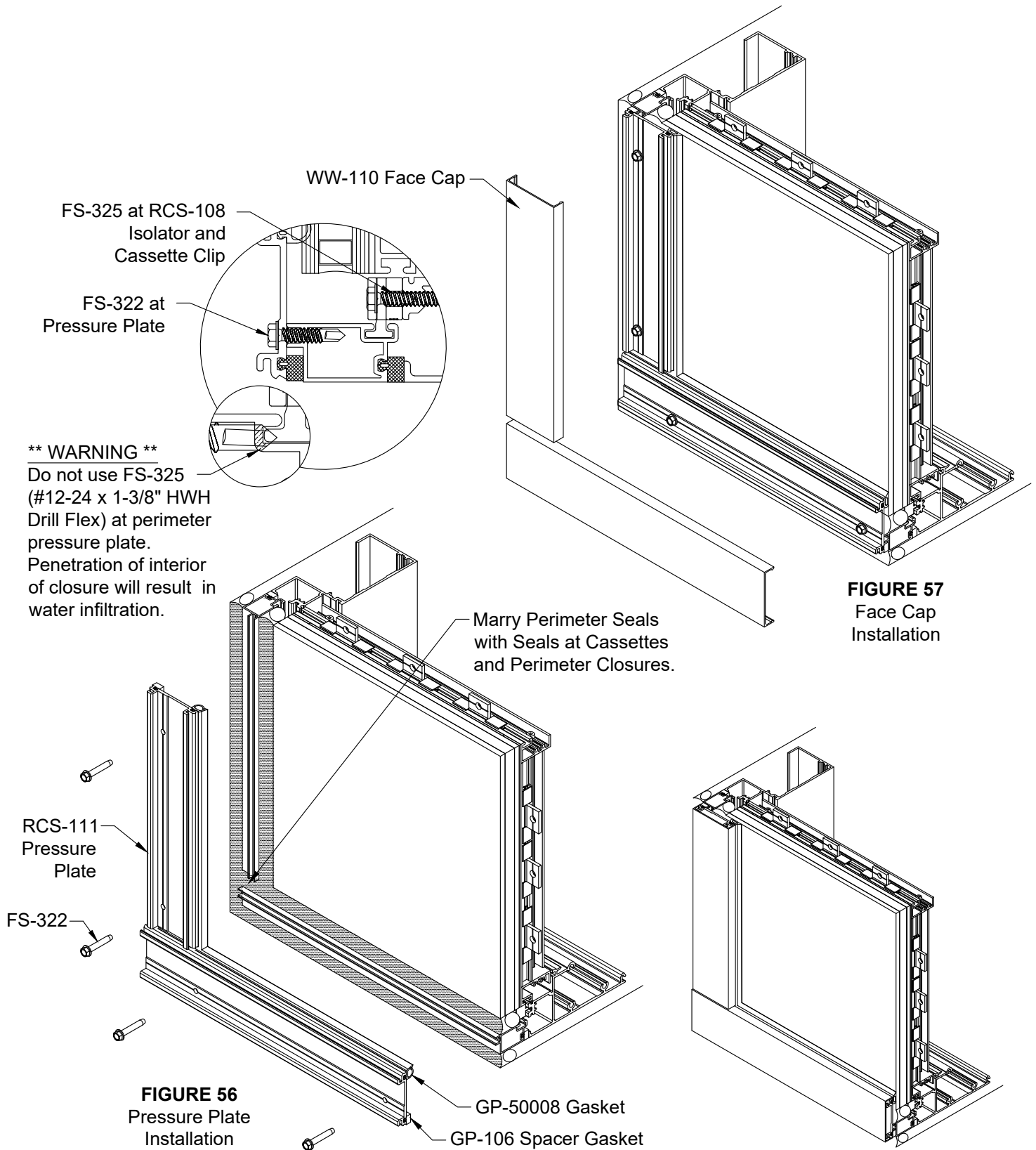
Marry Perimeter Seals with Seals at Cassettes and Perimeter Closures.



**FIGURE 55**  
Glass Installation

# RELIANCE™ CASSETTE INSTALLATION MANUAL

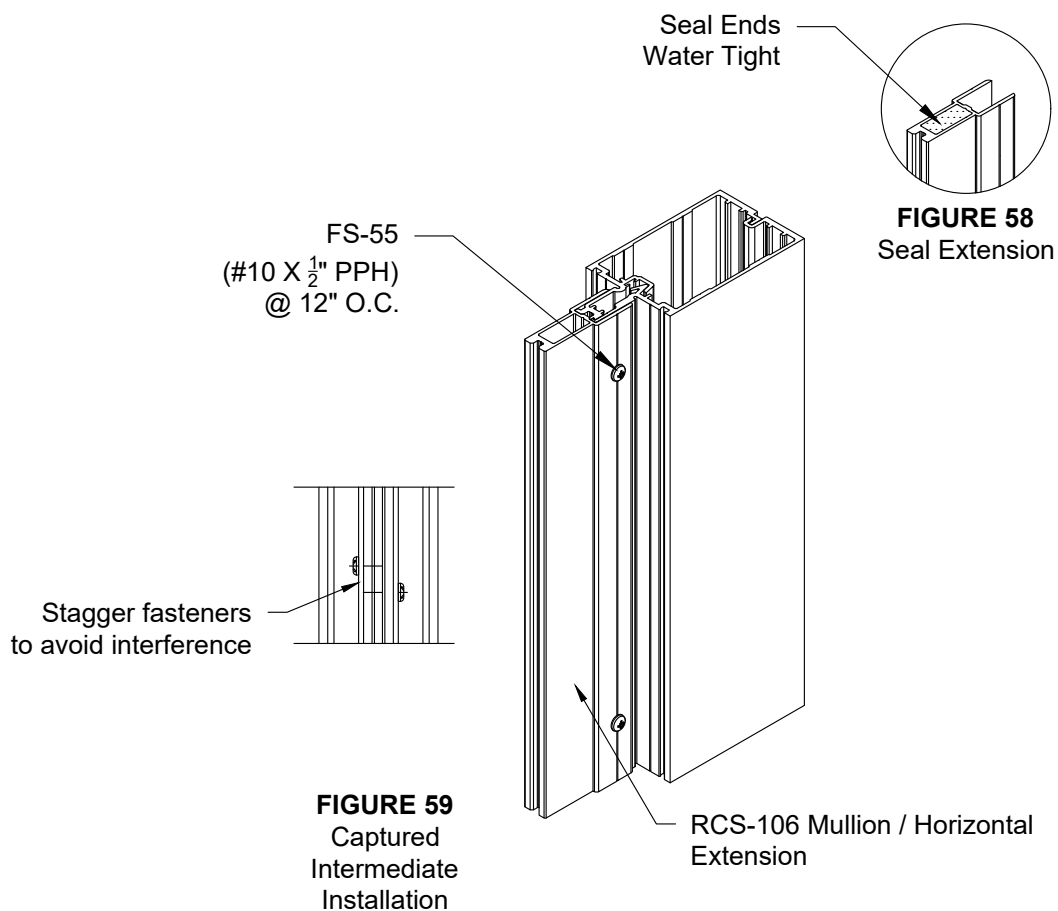
## CAPTURED PERIMETER CLOSURE INSTALLATION



# RELIANCE™ CASSETTE INSTALLATION MANUAL

## CAPTURED INTERMEDIATE INSTALLATION

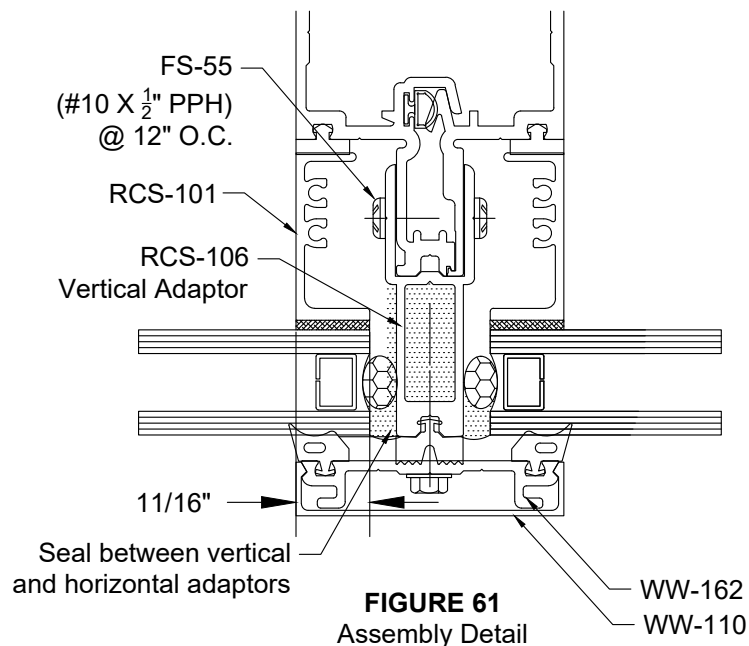
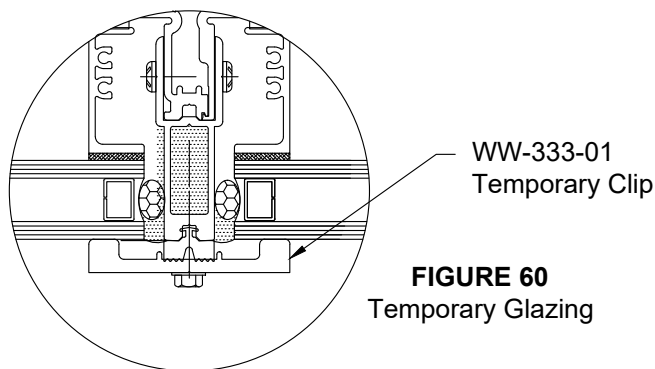
- 4.16 Cut extensions for vertical extensions to run through. Cut length =  $DLO + 1-11/16"$ . Horizontal extensions cut to match horizontals and may be field or shop installed.
- 4.17 Insert open cell backer rod in end of extension and seal water tight. End seals should be done prior to installation on mulls and horizontals. See FIGURE 58
- 4.18 Install RCS-106 stem extension to verticals or horizontals as required using FS-55 (#10 x 1/2" PPH) @ 12" on center. Stagger fasteners on each side per detail below. See FIGURE 59



# RELIANCE™ CASSETTE INSTALLATION MANUAL

## CAPTURED INTERMEDIATE GLAZING

- 4.19 RCS-101 cassette will be used on captured sides of units. This cassette utilizes 11/16" glass bite and will not require RCS-102-01 clips.
- 4.20 Install glass into opening similar to Figure 23, page 21 . Use WW-333-01 temporary clips to hold glass into opening. Locate the clips at minimum 2 per head and sill and 36" on center on vertical edge or minimum 2 clips. See FIGURE 60
- 4.21 Install GP-107 thermal isolator between extension and WW-162 pressure plate. WW-110 face cap to be used typically, but actual face cap may vary based on project requirements. See FIGURE 61

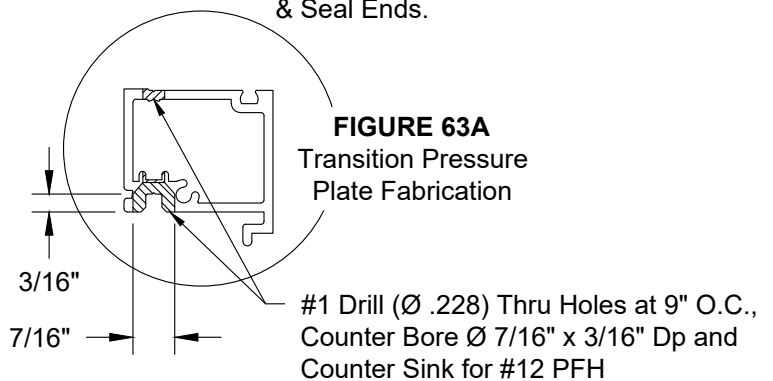
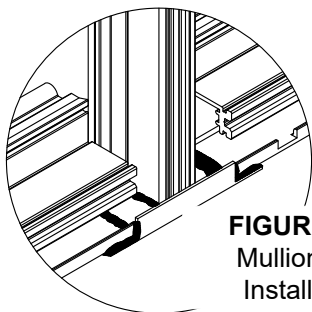
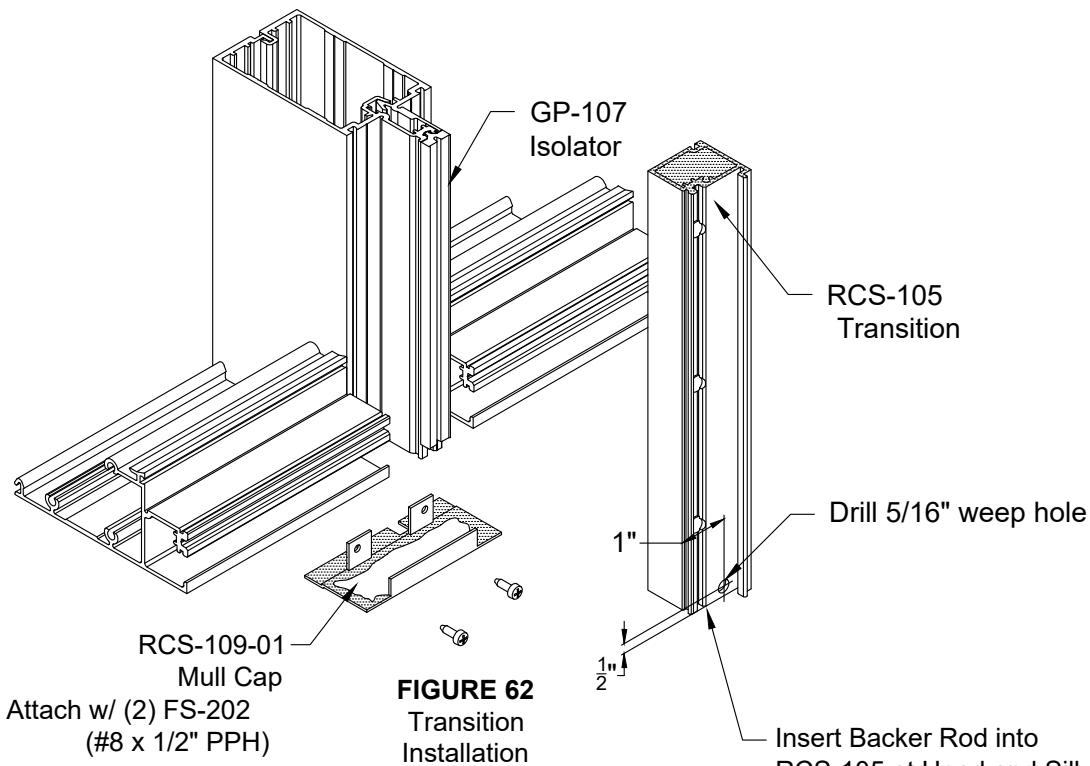


Note: VHB Cassettes shown above. Cassette part number RCS-201 will be used with SSG installations.

# RELIANCE™ CASSETTE INSTALLATION MANUAL

## CASSETTE TRANSITION INSTALLATION

- 5.1 Install curtain wall per Reliance or Reliance-SS Manual. Installation shown is for use when transitioning from Reliance Cassette to a standard captured Reliance or Reliance-SS curtain wall system. SEE FIGURE 62
- 5.2 Insert backer rod into ends of RCS-105 at the head and sill and seal ends. Using a #1 (Ø.228) bit, drill thru holes at 9" on center, counter bore Ø7/16" by 3/16" deep, then counter sink for #12 flat head. SEE FIGURE 63A. Drill 5/16" weep hole at 1/2" from bottom of RCS-105. SEE FIGURE 62
- 5.3 Install RCS-109-01 end cap at the head and sill of vertical mullion. Bed end cap in sealant and attach with FS-202 (#8 x 1/2" PPH). Cap seal fasteners. Tool sealant to form a water tight seal at mullions, horizontals and along front leg of sill. SEE FIGURE 63B

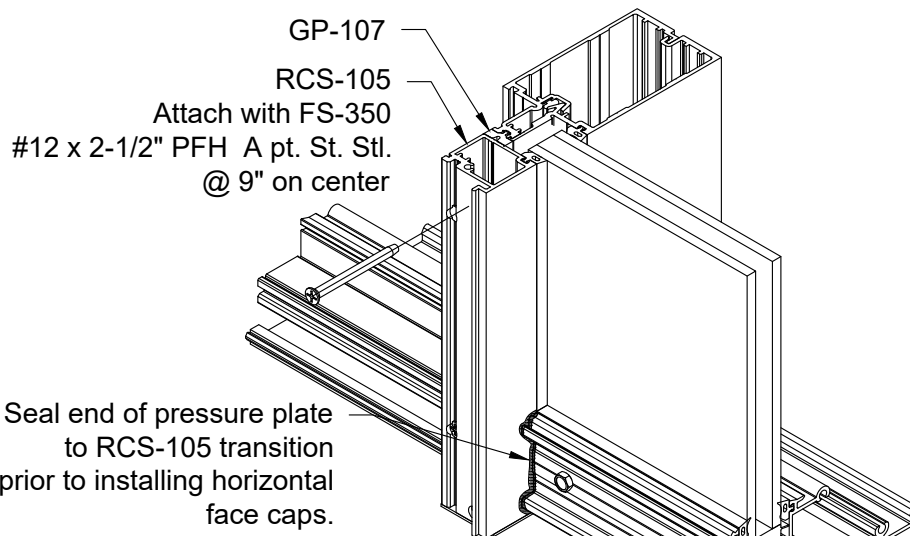




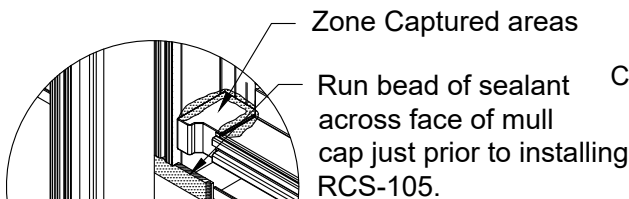
# RELIANCE™ CASSETTE INSTALLATION MANUAL

## CASSETTE TRANSITION INSTALLATION

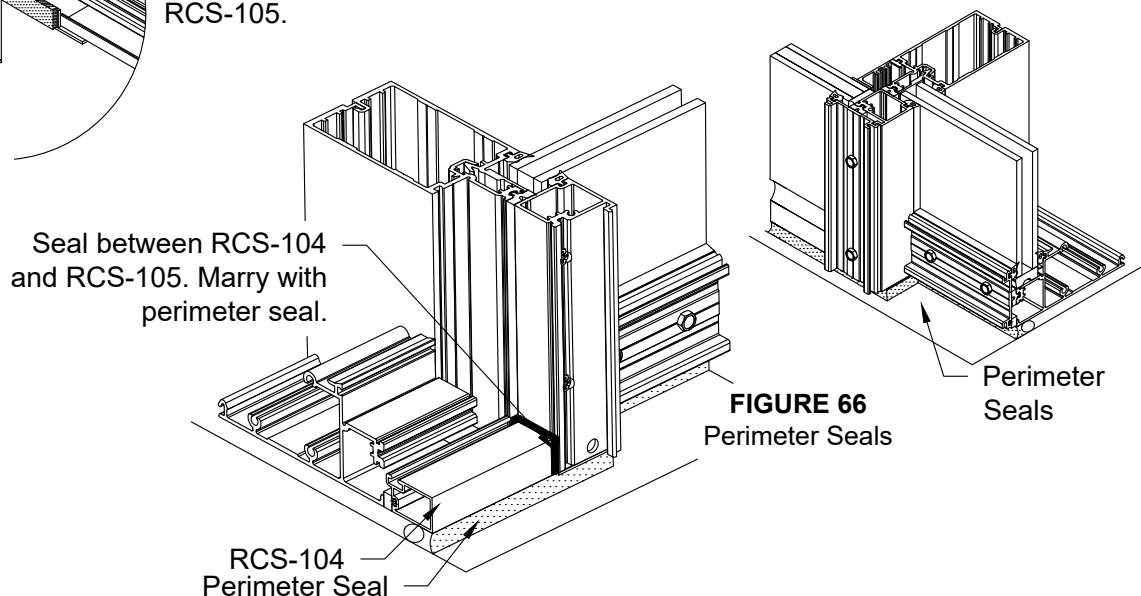
- 5.4 Prior to installing RCS-105 transition pressure plate, seal face of RCS-109-01 mull cap as shows in FIGURE 64. Glaze captured areas of curtain wall first. SEE FIGURE 65. Retain glass using temporary clips on horizontals and typical captured verticals per Reliance or Reliance-SS manual instructions.
- 5.6 Once glass is installed in captured section of elevation with temporary clips on horizontals, align RCS-105 transition pressure plate to mullions, match drill the stem of the mullion using a 3/16" drill bit, then attach with FS-350 (#12 x 2-1/2" A pt. Stainless Steel). Locate fasteners at 9" on center and torque to 90 in. lbs.
- 5.7 Install RCS-104 perimeter closure per instructions on page 49. End cap RCS-104 using GP-201 end dam and sealant as shown in FIGURE 51, page 49. Seal between RCS-104 and RCS-105 as shown in FIGURE 66



**FIGURE 65**  
Captured Glazing



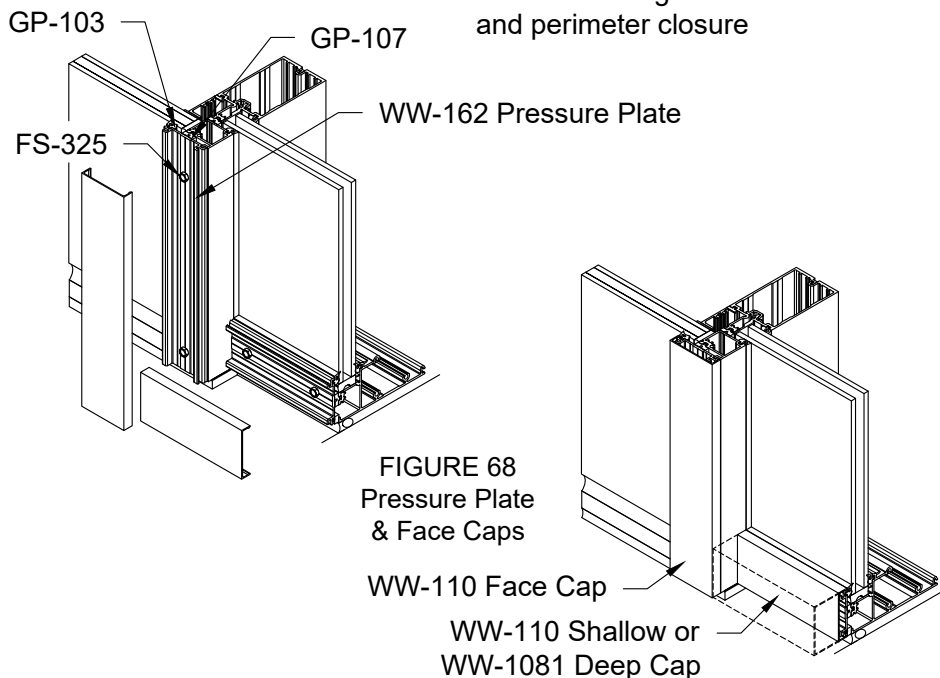
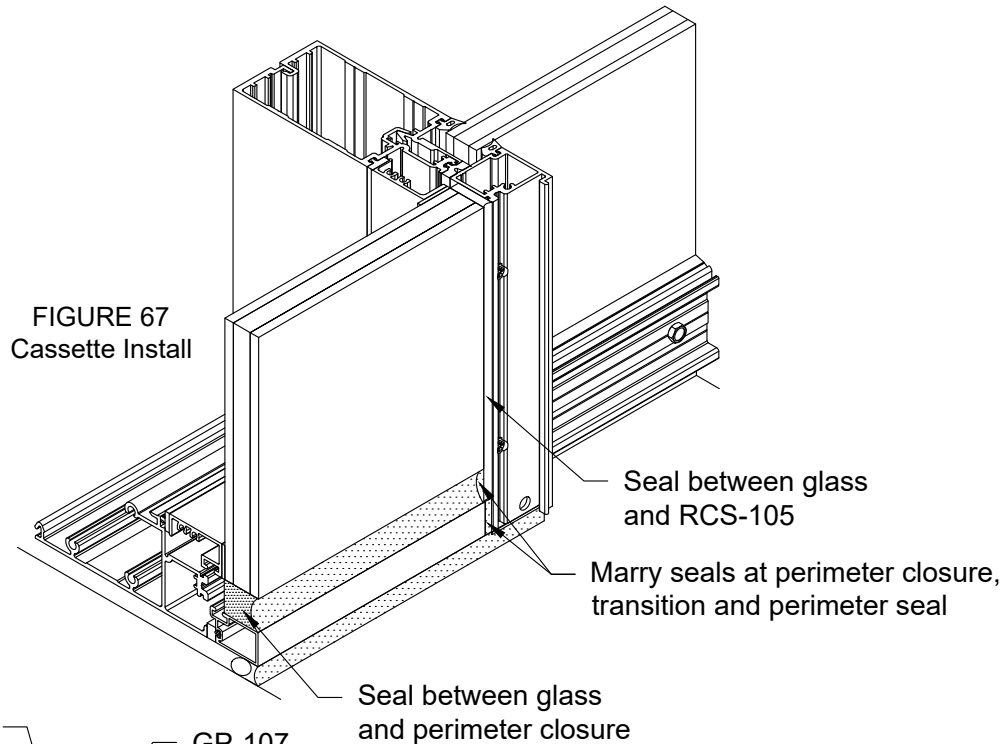
**FIGURE 64**  
Mull Cap Seal



# RELIANCE™ CASSETTE INSTALLATION MANUAL

## CASSETTE TRANSITION INSTALLATION

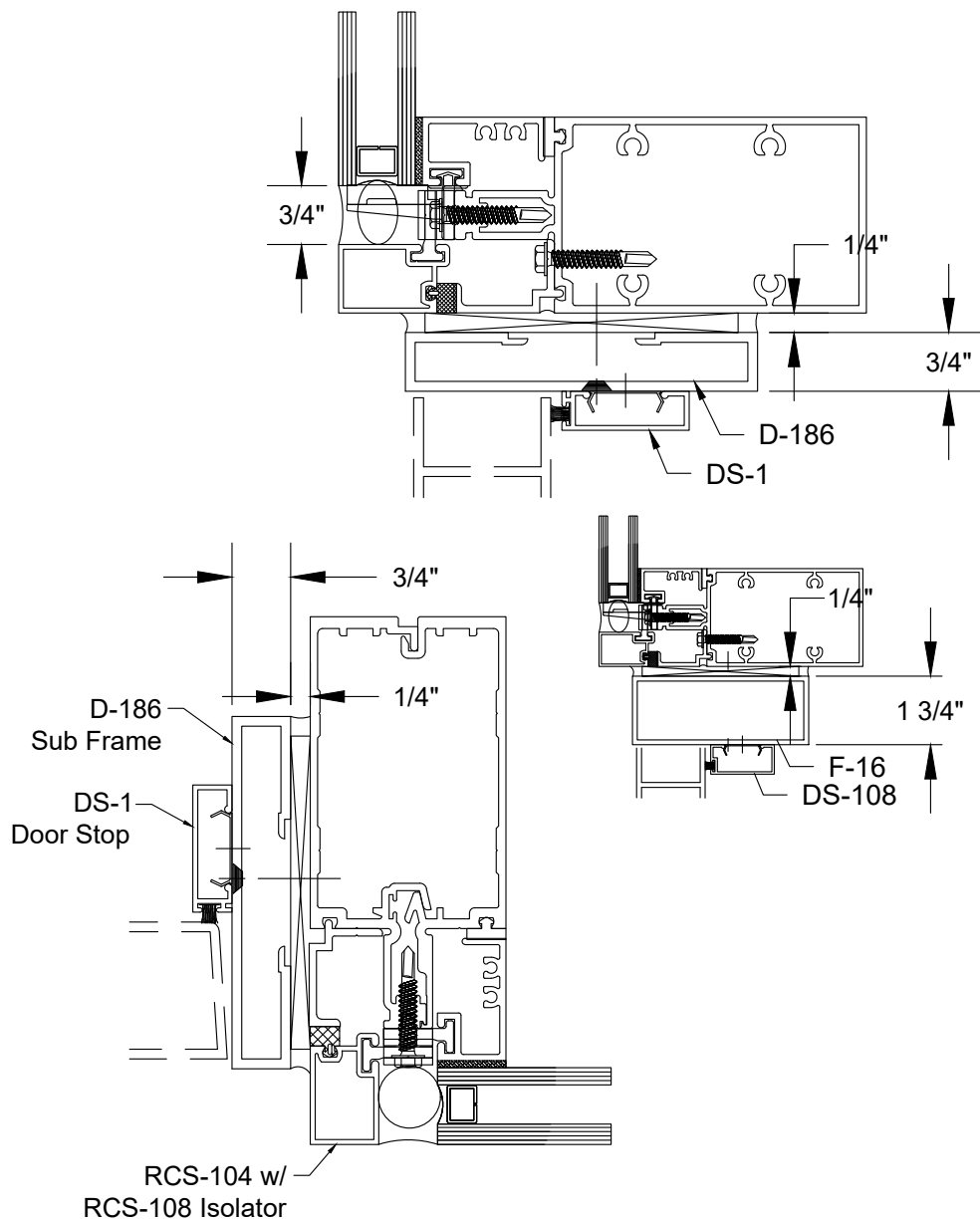
- 5.7 Glaze Cassette curtain wall per glazing section of this manual. Reference section for VHB tape glazing or SSG glazing based on project requirements.
- 5.8 Install WW-162 pressure plate onto RCS-105 transition using FS-325 fasteners at 9" on center. Torque to 90 inch pounds.
- 5.9 Install appropriate face cap to RCS-105 and captured curtain wall as specified for project.



# RELIANCE™ CASSETTE INSTALLATION MANUAL

## ENTRANCE INSTALLATION

- 6.1 Install curtain wall per Reliance or Reliance-SS Manual.
- 6.2 Install RCS-104 perimeter closure around door opening using RCS-108 isolator with FS-325 fastener at 18" on center.
- 6.3 D-186 door sub-frame will be used around opening. F-16 door header may be used for concealed overhead closures. Attach sub-frame to curtain wall beneath door stop per engineer recommendations. DS-1 door stops will be used with D-186 frame and attached with FS-15 drive rivet and SC-1 clips at 24" on center. Where concealed closures are used door stops will vary depending on hardware.

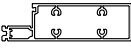
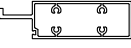


# RELIANCE™ CASSETTE INSTALLATION MANUAL

## PARTS LIST


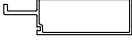
### 4" BACKMEMBERS

6" system depth

 WW-427	Upper Expansion Horizontal
 WW-428	Lower Expansion Horizontal

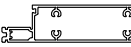
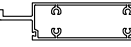
### 4" BACKMEMBERS

6" system depth

 WW-437	Upper Expansion Horizontal
 WW-436	Lower Expansion Horizontal

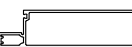
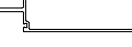
### 5 1/4" BACKMEMBERS

7 1/4" system depth

 WW-527	Upper Expansion Horizontal
 WW-528	Lower Expansion Horizontal

### 5 1/4" BACKMEMBERS




7 1/4" system depth

 WW-537	Upper Expansion Horizontal
 WW-536	Lower Expansion Horizontal

Note: See system installation manual for additional extrusions required for Reliance Curtain Walls.

Note: See system installation manual for additional extrusions required for Reliance Curtain Walls.

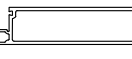
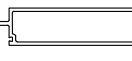
### Shear Block System Splices

 WW-271	Splice for WW-400 Mullion
 WW-270	Splice for WW-500 Mullion
 WW-272	Splice for WW-800 Mullion

Note: See system installation manual for splices for Reliance-SS Curtain Wall. Special splices required for shear block only.

### 8" BACKMEMBERS

10 1/2" system depth

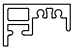
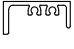
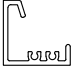
 WW-837	Upper Expansion Horizontal
 WW-836	Lower Expansion Horizontal

Note: See system installation manual for additional extrusions required for Reliance Curtain Walls.

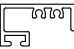
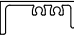
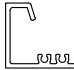
# RELIANCE™ CASSETTE INSTALLATION MANUAL

## PARTS LIST

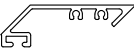
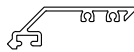
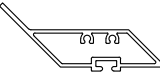

### SSG CASSETTE PROFILES

	Standard Cassette
RCS-208	
	Intermediate Captured Cassette
RCS-201	
	Cassette for Lower Expansion Horizontal
RCS-207	

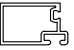
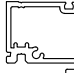
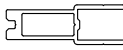

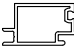
### VHB CASSETTE PROFILES

	Standard Cassette
RCS-100	
	Intermediate Captured Cassette
RCS-101	
	Cassette for Lower Expansion Horizontal
RCS-107	

### CORNER CASSETTE PROFILES

	OS90 Cassette for VHB SG Tape
RCS-300	
	OS90 Cassette for SSG
RCS-301	
	IS90 Cassette for VHB SG Tape
RCS-310	
	IS90 Cassette for SSG
RCS-311	


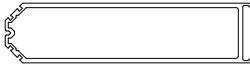
### MISC. CASSETTE PROFILES

	Standard Perimeter Closure
RCS-104	
	4-Sided to Standard Curtain Wall Transition
RCS-105	
	Captured Stem Extension
RCS-106	
	Pressure Plate for Captured Perimeter
RCS-111	
	Captured Perimeter Closure
RCS-112	

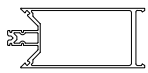

# RELIANCE™ CASSETTE INSTALLATION MANUAL

## PARTS LIST

### OUTSIDE 90 CORNER MULLIONS




	OS90 Corner Mullion for 6-3/4" and 8" Systems
WW-240	
	OS90 Mullion for 10-7/8" System (Shear Block Only)
WW-1175	

### INSIDE 90 CORNER MULLIONS

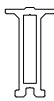
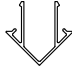
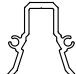
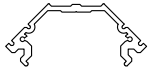
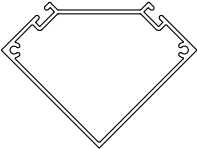
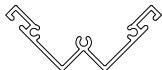


	IS90 Mullion for 6-3/4" System
WW-244	
	IS90 Mullion for 8" System
WW-245	

Note: See system installation manual for additional extrusions required for Reliance Curtain Walls.

### CORNER MULLION BACK FILLERS

	OS90 Mullion Filler for 6-3/4" System
CW-823	
	IS90 Mullion Filler for 6-3/4" & 8" Systems
CW-199	
	OS90 Mullion Filler for 8" and 10-7/8" Systems
WW-220	

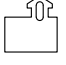
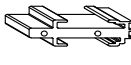
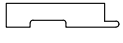
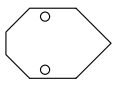
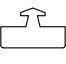
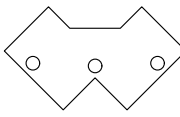










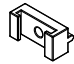

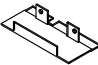
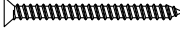
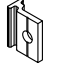


### CORNER CASSETTE PROFILES

	OS90 Corner Mull Extension
RCS-302	
	OS90 Corner 1" Face Cap
RCS-303	
	OS90 Corner Mull Face Cap Retainer
RCS-304	
	OS90 Corner Mull Extension for RCS-306
RCS-305	
	2-7/8" OS90 Corner Closure
RCS-306	
	IS90 2-Mull Corner Closure
RCS-312	
	OS90 Cassette Assembly Guide
RCS-308	
	IS90 Cassette Assembly Guide
RCS-314	

# RELIANCE™ CASSETTE INSTALLATION MANUAL

## PARTS LIST

### RELIANCE CASSETTE ACCESSORIES

 GP-106	Spacer Gasket for Perimeter Closures	 WW-282-02	OS90 Shear Block Stack Horizontal
 GP-1065	Setting Block for RCS-115-01	 RCS-309-01	End Cap for RCS-304
 GP-200	Standard Sponge Gasket	 RCS-313-01	End Cap for RCS-312
 GP-201	Sponge End Dam for Perimeter Closures	 FS-1	#8 X 1" Square Drive Round Head
 GP-202	Cassette Clip Retainer	 FS-55	#10 x 1/2" Phillips Pan Head AB Pt.
 GP-203	Optional Silicone Gasket for Custom Colors	 FS-202	#8 x 1/2" Phillips Pan Head A Pt.
 RCS-102-01	Cassette Clip	 FS-320	M4 x 16mm Headed Helical Pin
 RCS-115-01	Setting Chair	 FS-322	#12-14 x 1" Hex Washer Head Drill Flex
 RCS-108	Isolator for Perimeter Closures	 FS-325	#12-24 x 1-11/32" Hex Washer Head Drill Flex
 RCS-109-01	End Cap for RCS-105 Transition	 FS-350	#12 x 2-1/2" Phillips Flat Head A Pt. Stainless Steel
 RCS-202-01	SSG Cassette Clip	 FS-351	1/4"-20 x 3" Phillips Flat Head Drill Flex
 WW-282-01	OS90 Shear Block Stack Horizontal		