



**Oldcastle** BuildingEnvelope®

***FG-1000 - FG-2000 STOREFRONT  
INSTALLATION AND GLAZING MANUAL***

*Note: Installation and Glazing Manuals are product specific. **FOR REVIEW ONLY!***

## FG-1000 & FG-2000 INSTALLATION & GLAZING INSTRUCTIONS

These instructions are to be used for typical installations. Reference shop drawings for special notations on installations and glazing.

### TABLE OF CONTENTS

General Information . . . . .	Page 2-3
Outside Glaze Screw Spline Assembly . . . . .	Page 4
Outside Glaze Shear Block Assembly . . . . .	Page 5
Outside Glaze Sill Flashing Installation . . . . .	Page 6
Outside Glaze Frame Installation . . . . .	Page 7
Outside Glaze Sill Installation & Perimeter Seal . . . . .	Page 8
Outside Glaze Sealant Procedure for Door Frame at Flashing . . . . .	Page 9
Outside Glaze Glazing Procedure . . . . .	Page 10
Stack System Assembly and Installation . . . . .	Page 11
Stack System Framd Assembly and Installation. . . . .	Page 12
Stack System Sealant Procedure . . . . .	Page 13
Stack System Sealant Procedure for Door Frame at Flashing . . . . .	Page 14
Stack System Glazing Procedure. . . . .	Page 15
Inside Glaze Screw Spline Frame Assembly . . . . .	Page 16
Inside Glaze Screw Spline Frame Assembly. . . . .	Page 17
Inside Glaze Sill Flashing Installation. . . . .	Page 18
Inside Glaze Frame Installation . . . . .	Page 19
Inside Glaze Sill Installation and Perimeter Seal . . . . .	Page 20
Inside Glaze Glazing Procedure . . . . .	Page 21
Parts and Accessories. . . . .	Page 22-26

## GENERAL INFORMATION

### PRODUCT USE

The **FG-1000** and **FG-2000** flush glazing systems by Oldcastle BuildingEnvelope® are intended for installation by glazing professionals with appropriate experience. Subcontractors without experience should employ a qualified person to provide field instruction and project management.

Oldcastle BuildingEnvelope® does not control the application or selection of its product configurations, sealant or glazing material and assumes no responsibility thereof. It is the responsibility of the owner, architect and installer to make these selections in strict compliance with applicable laws and building codes.

***Consult sealant manufacturer for review and recommendation of sealant application. Follow sealant manufacturer's recommendations and literature for proper installation.***

The air and water performance of the **FG-1000** and **FG-2000** flush glazing systems are directly related to the completeness and integrity of the installation process of both the seal installed at the horizontal to vertical connections and the glazing gaskets. To insure top performance for this system, particular attention should be given the following procedures:

1. Surfaces to be sealed with tacky tape should be cleaned with isopropyl alcohol or solvent and dried as recommended by sealant manufacturer to remove all dirt and cutting oils.
2. The glazing gaskets should be installed so as to avoid stretching, buckles or tears. Corners must be cut square, sealed and butted together. To avoid damage to gasket and corner joints during glazing, glass should be level and straight during installation.

Variations on the details shown are inevitable and are not the responsibility of Oldcastle BuildingEnvelope® when drawn by others. Oldcastle BuildingEnvelope® strongly encourages its customers to use its engineering department for calculations and shop drawings.

Consult glass manufacturer for correct setting block location and length for glass sizes in excess of 40 sq.ft.

### PROTECTION AND STORAGE

Handle all material carefully. Do not drop from the truck. Stack with adequate separation so the material will not rub together. Store material off the ground, protecting against the elements and other construction hazards by using a well ventilated covering. Remove material from package if wet or located in a damp area. For further guidelines consult AAMA publication CW-10, "Care and Handling of Architectural Aluminum From Shop to Site."

### CHECK MATERIAL

Check glass dimensions for overall size as well as thickness. Oldcastle BuildingEnvelope® cannot be held responsible for gaskets that are not water tight due to extreme glass tolerances. The **FG-1000** and **FG-2000** flush glazing systems are designed to accommodate glass or panels measuring ¼" in thickness. (+/- 1/32"). Check all material upon arrival at job site for quality and to determine any shipping damage.

Using the contract documents, completely check the surrounding conditions that will receive your materials. Notify the general contractor by letter of any discrepancies before proceeding with the work. Failure to do so constitutes acceptance of work by other trades.

Check shop drawings, installation instructions, architectural drawings and shipping lists to become familiar with the project. The shop drawings take precedence and include specific details for the project. The installation instructions are of a general nature and cover the most common conditions. Due to varying job conditions all sealant used must be approved by the sealant manufacturer to insure it will perform per the conditions shown on the instructions and shop drawings. The sealant must be compatible with all surfaces in which adhesion is required, including other sealant surfaces. Use primers where directed by sealant manufacturer. Properly store sealant at the recommended temperatures and check sealant for remainder of shelf life before using.

## GENERAL INFORMATION

### FIELD CONDITIONS

All material to be installed must be plumb, level and true. Aluminum to be placed in direct contact with masonry or incompatible material should be isolated with a heavy coat of zinc chromate, bituminous paint or non-metallic material.

After sealant is set and a representative amount of the wall has been glazed (250 square feet or more), run a water hose test in accordance with AAMA 501.2 specifications to check installation. On large projects the hose test should be repeated during the glazing operation.

### CLEANING MATERIALS

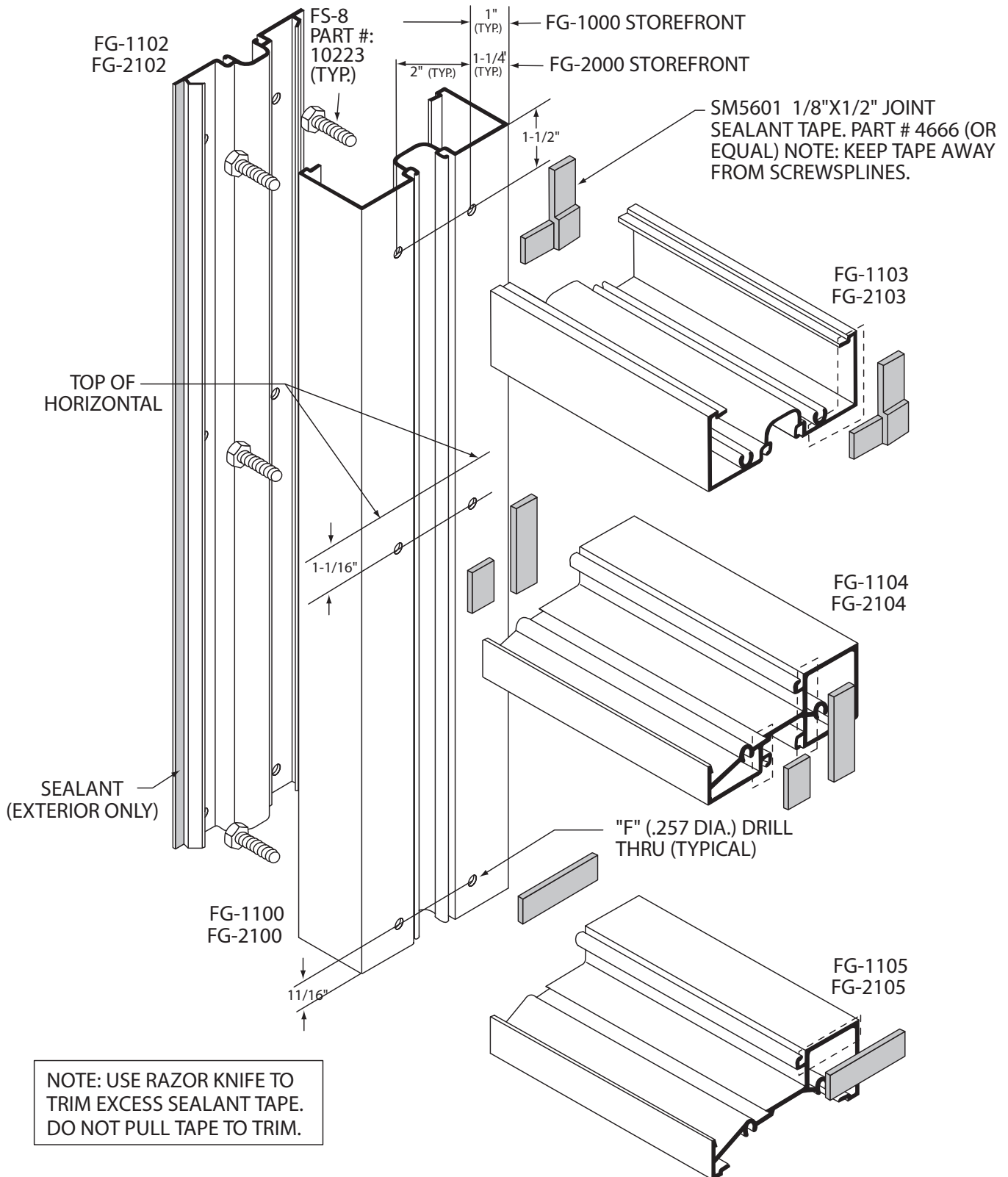
Cement, plaster terrazzo, alkaline and acid based materials used to clean masonry are very harmful to finishes. Any residue should be removed with water and mild soap immediately or permanent staining will occur. A spot test is recommended before any cleaning agent is used.

### EXPANSION JOINTS

Expansion joints and perimeter joints shown in these instructions and in the shop drawings are shown at nominal size. Actual dimensions may vary due to perimeter conditions and/or differences in metal temperature between the time of fabrication and the time of installation. For example, a 12 foot unrestrained length of aluminum can expand or contract  $3/32$ " over a temperature change of 50° F. Any movement potential should be accounted for at the time of the installation.

# FG-1000 / FG-2000 INSTALLATION MANUAL

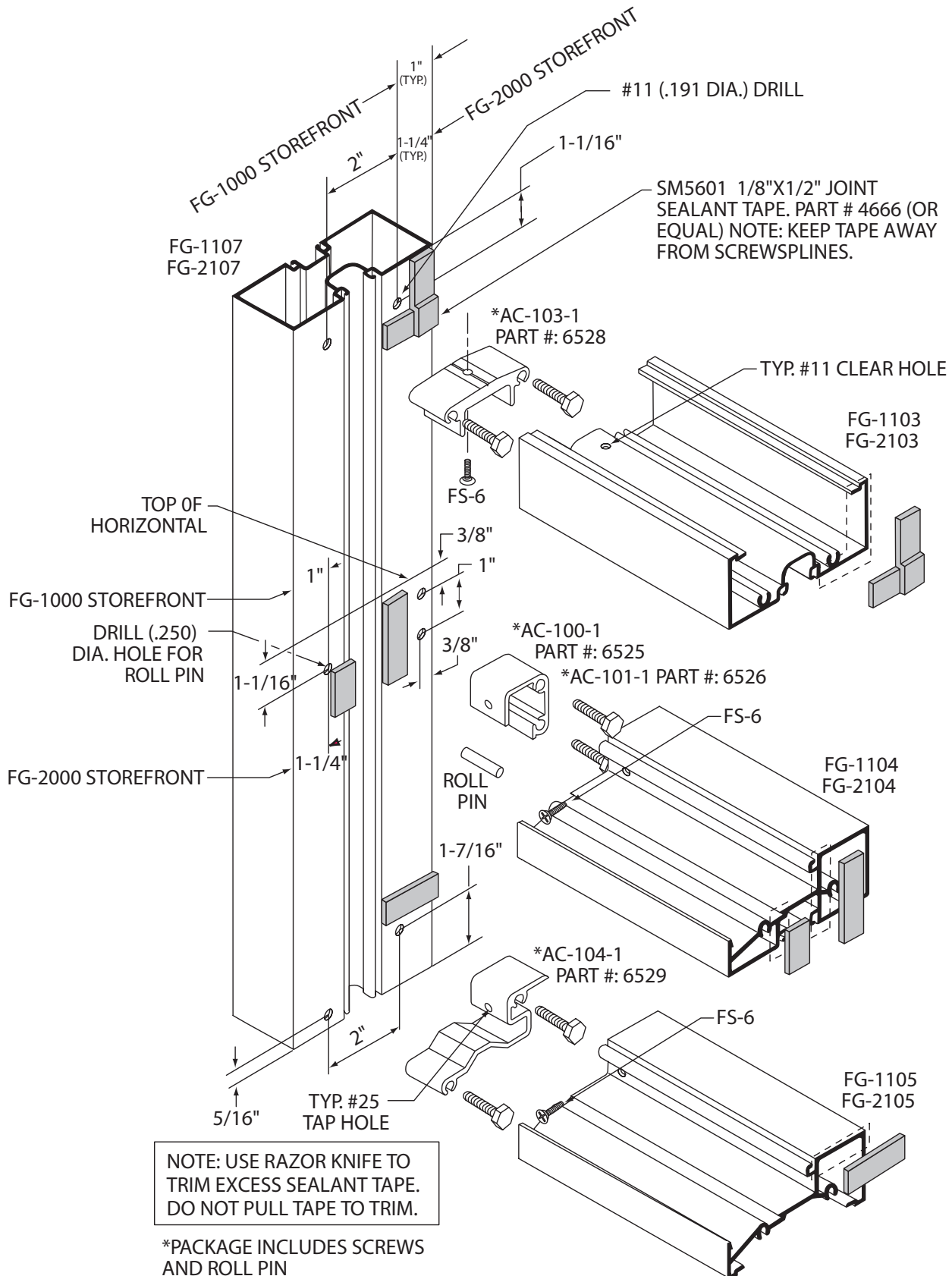
## OUTSIDE GLAZE-SCREW SPLINE-FRAME ASSEMBLY



FOR FASTER, MORE ACCURATE HOLE FABRICATION, WE RECOMMEND THE EZ PUNCH FABRICATION TOOL. DJ-5 DRILL FIXTURE PART # 4562 IS ALSO AVAILABLE TO AID FABRICATION FOR SCREW SPLINE FRAME ASSEMBLY.

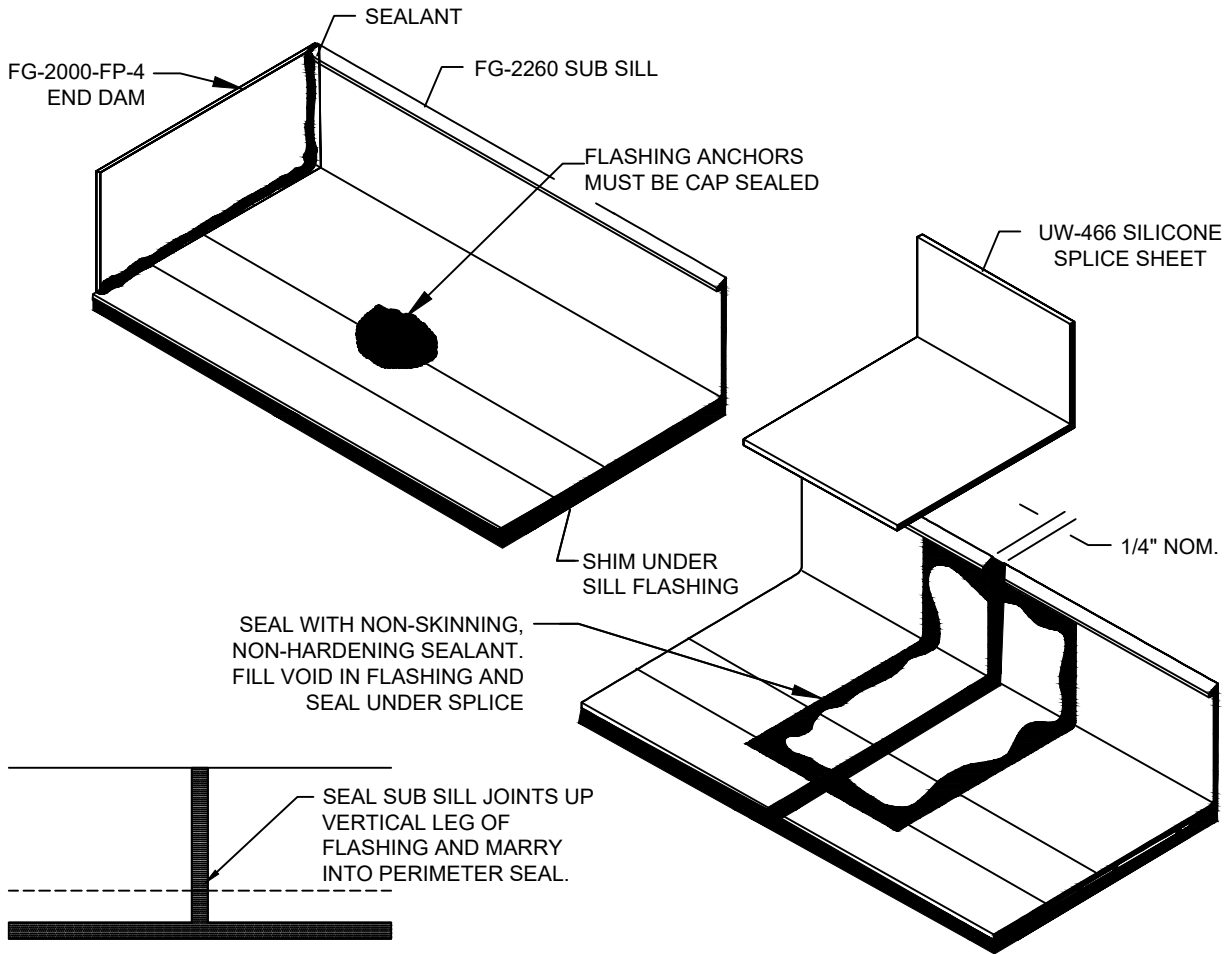
# FG-1000 / FG-2000 INSTALLATION MANUAL

## OUTSIDE GLAZE-SHEAR BLOCK-FRAME ASSEMBLY

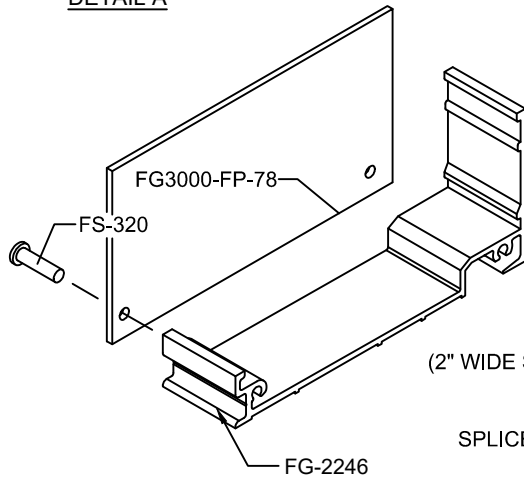


DJ-3 PART # 4560 AND DJ-4 PART # 4561 DRILL FIXTURES ARE AVAILABLE TO AID IN FABRICATION FOR SHEAR BLOCK FRAME ASSEMBLY.

## OUTSIDE GLAZE-SILL FLASHING INSTALLATION

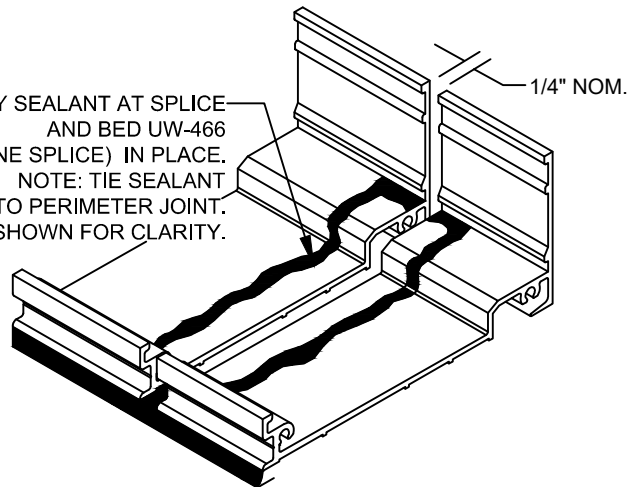


DETAIL A



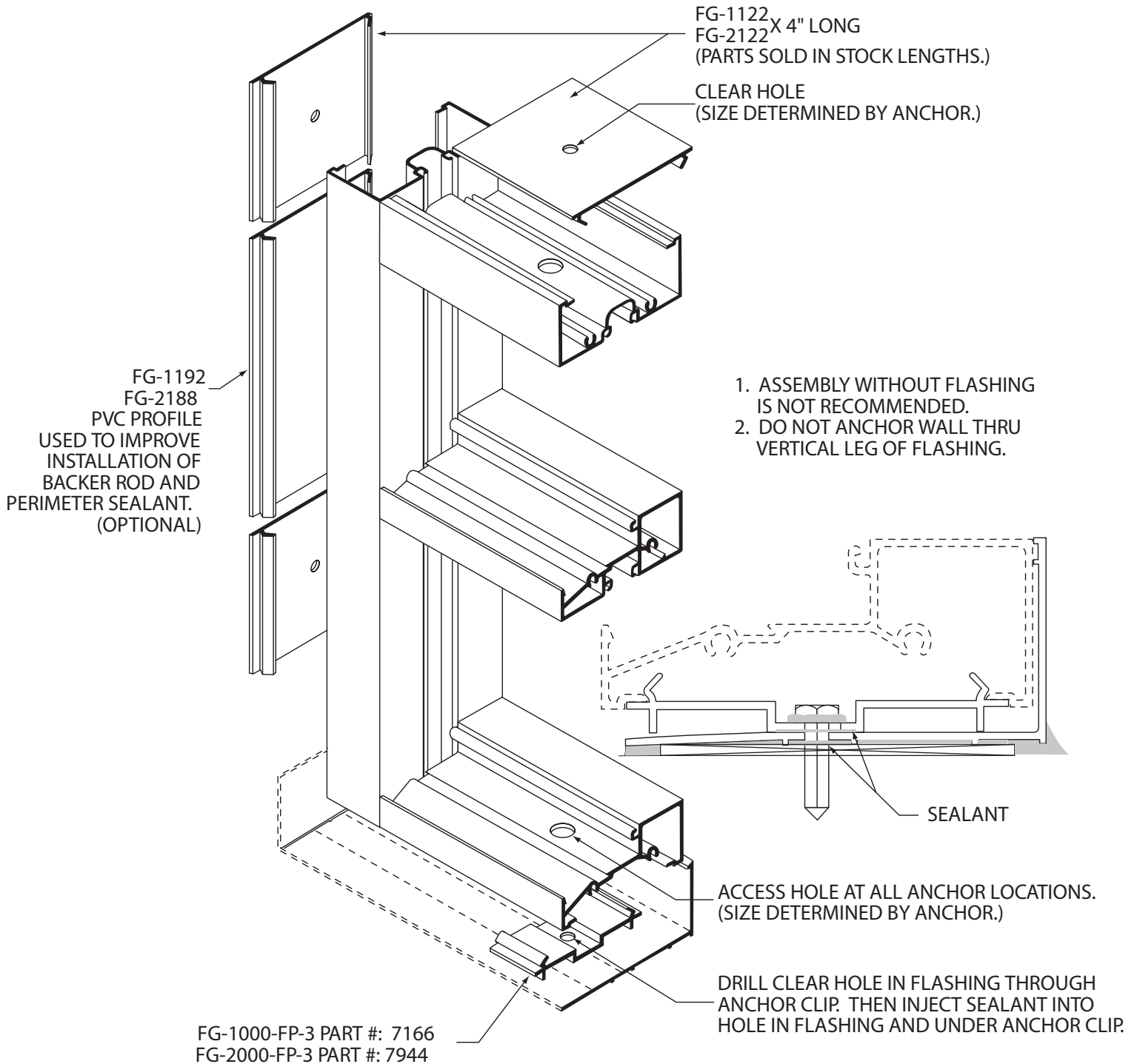
OPTION SUB-SILL (FG-2246)  
TO BE USED WITH OUTSIDE  
GLAZE FG-2000 ONLY

APPLY SEALANT AT SPLICE  
AND BED UW-466  
(2" WIDE SILICONE SPLICE) IN PLACE.  
NOTE: TIE SEALANT  
INTO PERIMETER JOINT.  
SPLICE NOT SHOWN FOR CLARITY.



NOTE: SILL FLASHING SHOULD BE LEVEL AND MAKE SURE IT IS NOT TILTED TOWARD THE INTERIOR.

## OUTSIDE GLAZE-FRAME INSTALLATION

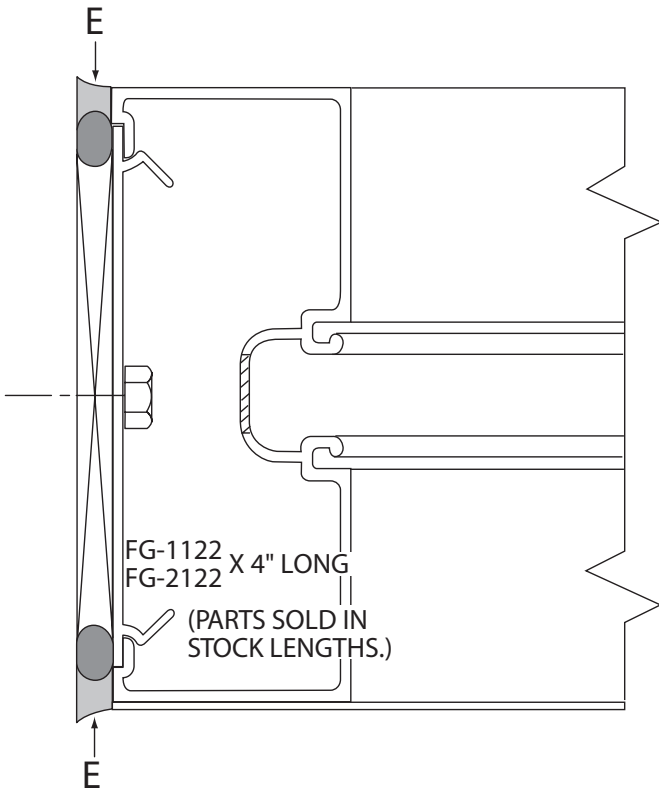
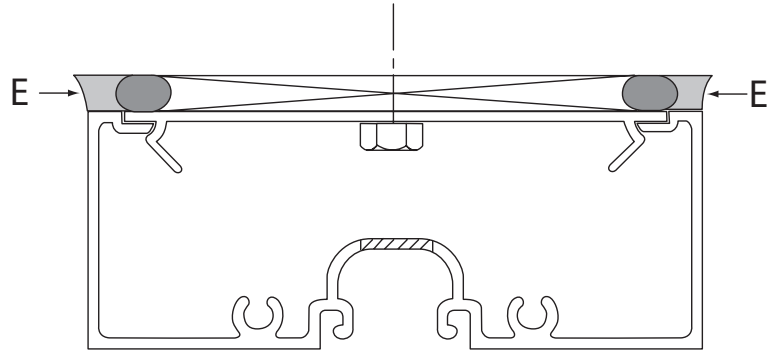


ANCHOR SIZE AND FREQUENCY SHOULD BE DETERMINED BY STRUCTURAL REQUIREMENTS. SILL ANCHORS FG-1000-FP3/FG-2000-FP-3 AND HEAD ANCHORS FG-1122/FG-2122 SHOULD BE LOCATED SO THAT THE ANCHOR IS NOT MORE THAN 4" FROM EACH SIDE OF THE MULLION.



# FG-1000 / FG-2000 INSTALLATION MANUAL

## OUTSIDE GLAZE-SILL INSTALLATION AND PERIMETER SEAL

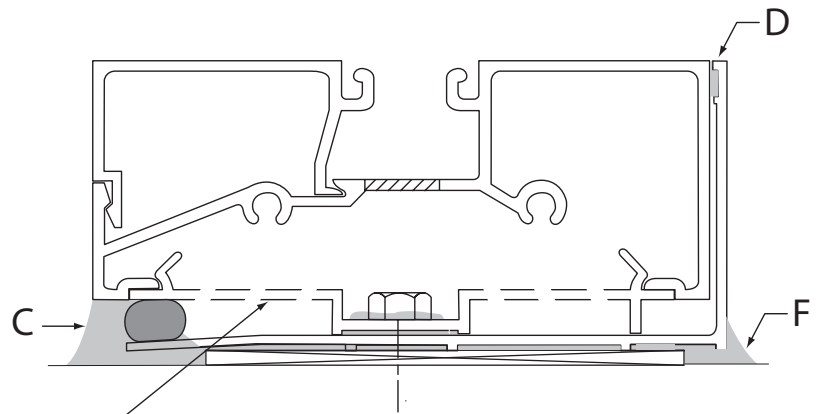


SHIM UNDER SILL FLASHING

SPACE BETWEEN SILL AND FLASHING (C) TO BE CONTINUOUSLY SEALED EXCEPT FOR 1/2"-3/4" SPACE UNDER VERTICAL MULLIONS FOR WEEPAGE. ONCE THE WALL IS SECURED, SEAL GROOVE (D) BETWEEN SILL FLASHING AND BACK OF SILLS.

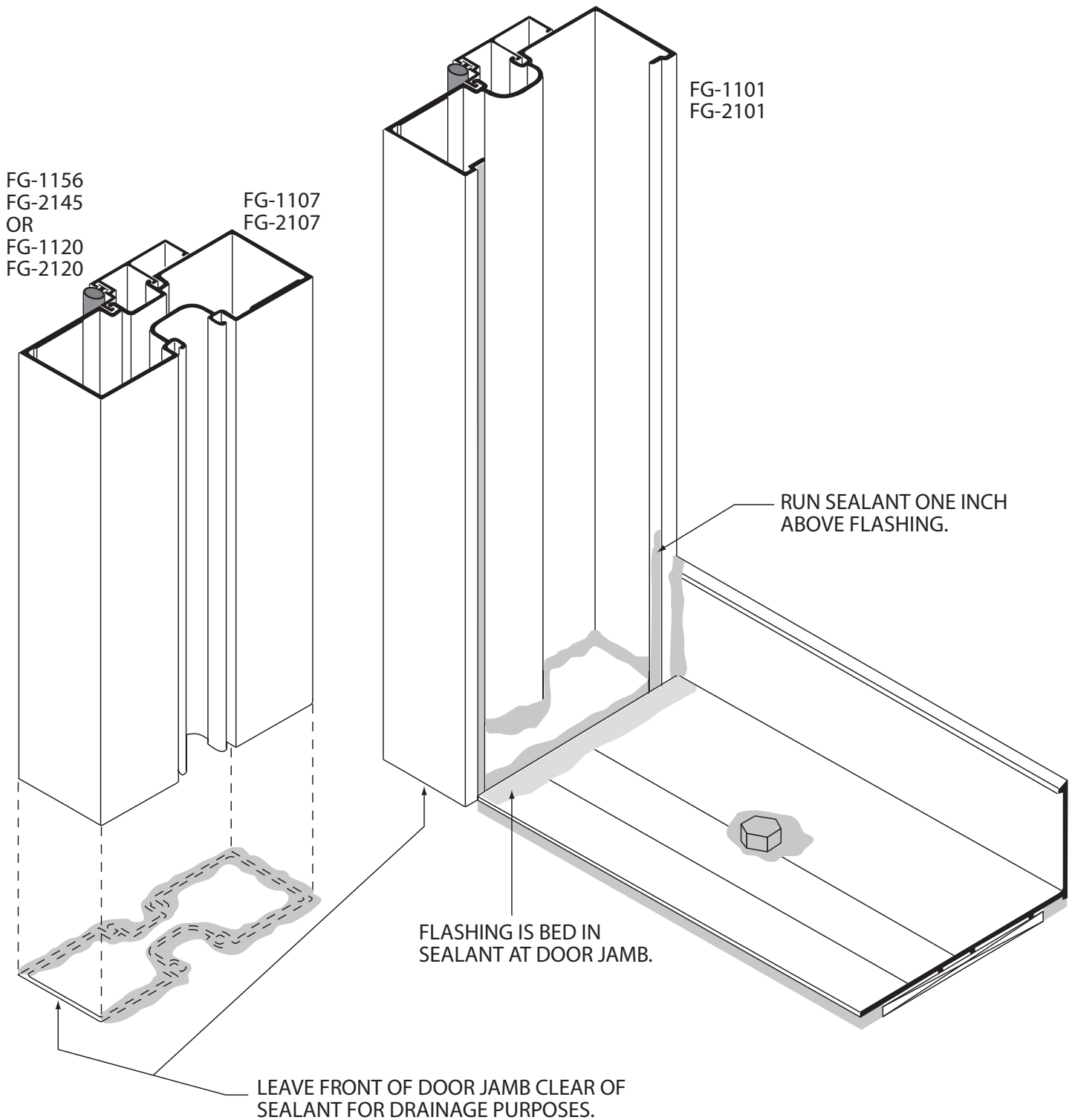
THE QUALITY OF THE INSIDE AND OUTSIDE PERIMETER SEALS (C AND E) MAY BE IMPROVED BY USING FG-1192/FG-2188 RIGID PVC FILLER. THE PART MAY BE USED IN FULL LENGTHS OR CUT INTO PIECES. ITS PURPOSE IS TO PROVIDE SUPPORT FOR THE BACKER ROD REGARDLESS OF JOINT OR SIZE. PERIMETER SEAL (F) IS FOR COSMETIC PURPOSES AND IS OPTIONAL.

NOTE: 1/2"-3/4" WEEP HOLE REQUIRED IN SEALANT AT FLASHING (C) AT CENTER LINE OF MULLION.



FG-1000-FP-3 PART #: 7166  
FG-2000-FP-3 PART #: 7944

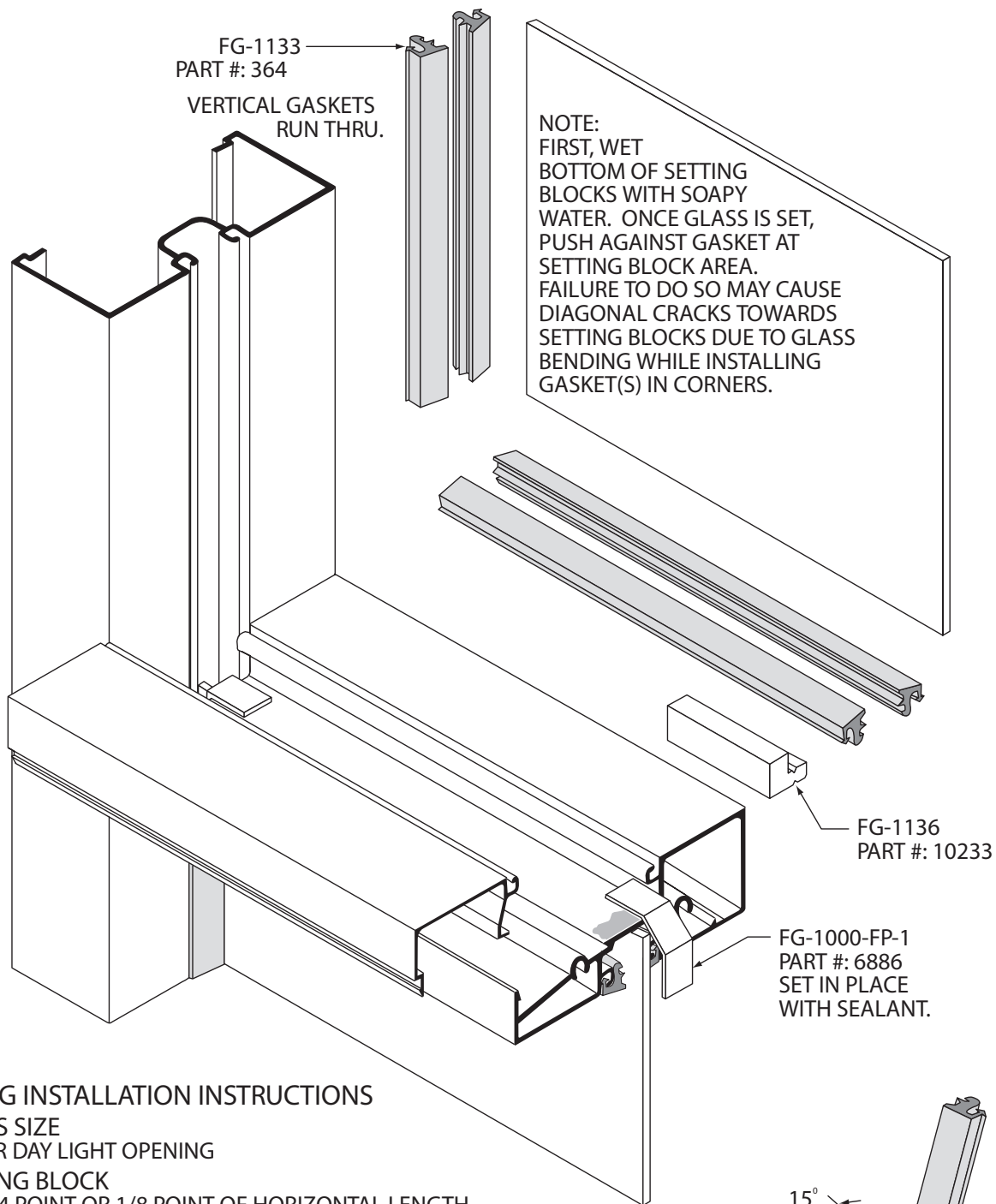
## OUTSIDE GLAZE/SEALANT PROCEDURE FOR DOOR FRAME AT FLASHING



WITH SCREW SPLINE HORIZONTAL, USE SHEAR BLOCKS AS SHOWN ON PAGE 5 TO SECURE HORIZONTALS TO TUBULAR FRAME.

DOOR FRAME IS ANCHORED BY FASTENERS THROUGH THRESHOLD AND THROUGH DOOR FRAME HEADER.

## OUTSIDE GLAZE-GLAZING PROCEDURE



### GLAZING INSTALLATION INSTRUCTIONS

#### GLASS SIZE

5/8" OVER DAY LIGHT OPENING

#### SETTING BLOCK

SET AT 1/4 POINT OR 1/8 POINT OF HORIZONTAL LENGTH DEPENDING ON LITE SIZE.

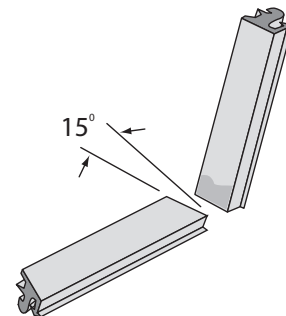
#### WATER DIVERTERS

GLAZE FROM BOTTOM TO TOP. INSTALL WATER DIVERTERS IN HORIZONTAL ABOVE, AFTER LITE BELOW IS IN POSITION.

#### GLAZING GASKET

GASKET MAY BE INSTALLED ON ONE OR BOTH SIDES SIMULTANEOUSLY. PROVIDE 1/4" ADDITIONAL GASKET FOR EACH FOOT OF DAYLIGHT OPENING TO PROVIDE ADEQUATE COMPRESSION FOR THE GLAZING INFILL.

NOTE: CLEAN GASKET WITH ISOPROPYL ALCOHOL PRIOR TO SEALING CORNERS.



MITER HORIZONTAL GASKET TO FIT VERTICAL GASKET.

## STACK FRAME ASSEMBLY AND INSTALLATION

The assembly and sealant procedures are a part of the installation sequence because of the stacking method.

### HEAD CAN:

Anchor screws should be within 4" of each side of the intended mullion location. Head anchors (AC-109-1 PART #: 6554) should be used if the height x width x design load is 500 lbs. or more at the top of the mullion. Normally one anchor screw at the middle of the lite or 24" O.C. is adequate for securing the header. For unusual conditions, consult Oldcastle BuildingEnvelope™ engineering department.

### SILL CAN:

Shim can a minimum 1/4". Anchor sill can 24" O.C. and no more than 4" on each side of intended mullion locations. Be sure weeps are located under center line of mullion. Seal both sides of can.

### HORIZONTAL HEAD AND SILL INSERTS:

Members are cut 1/16" less than daylight opening to allow for incremental expansion.

### JAMB MEMBERS:

Remember all horizontals are cut 1/16" short. Do not over shim between jamb and structure.

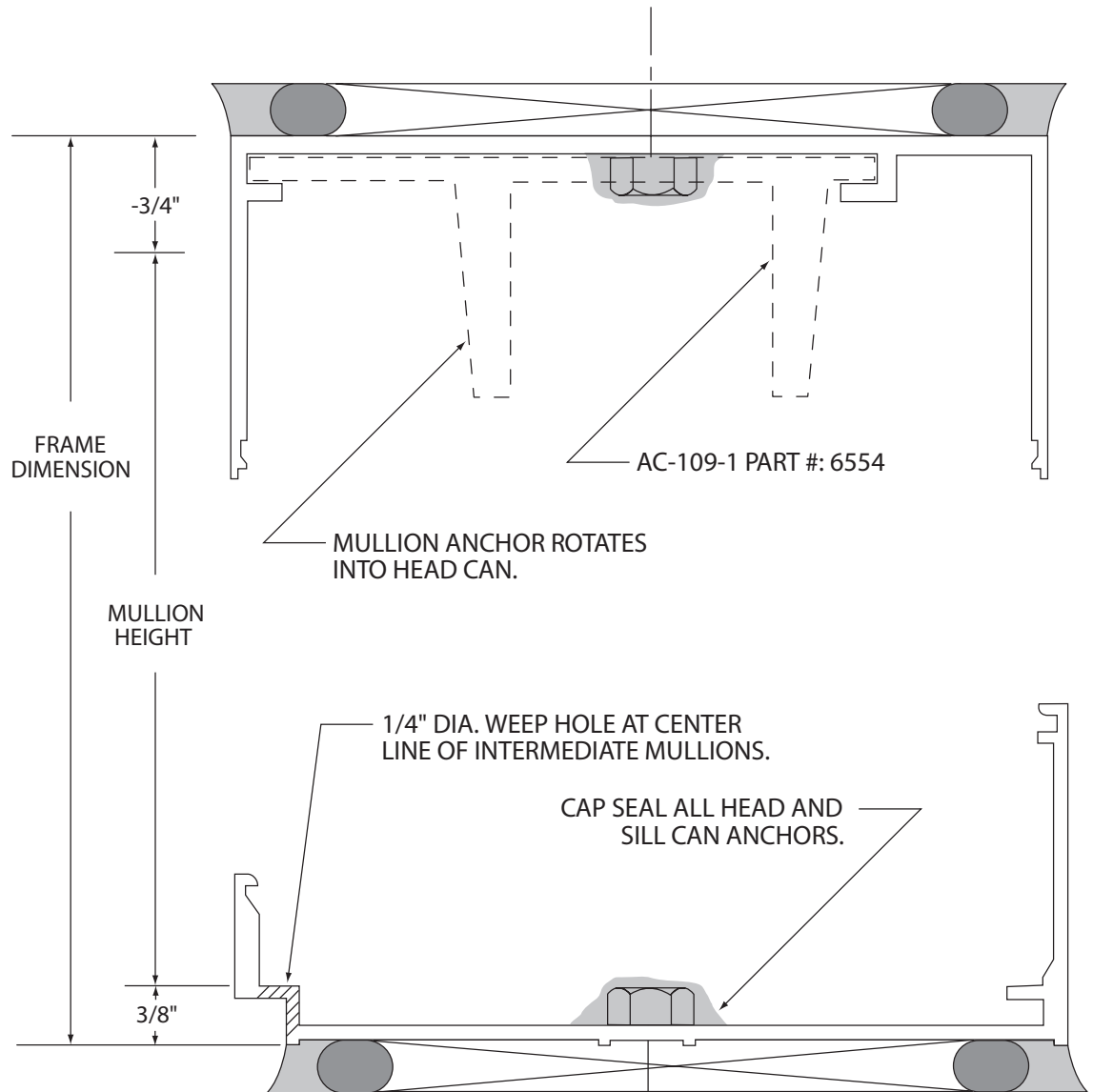
### MULLIONS:

Cut mullion length outside frame dimension minus 1-1/8" Install mulls by sliding top end over anchor and rotating bottom into position.

### RECOMMENDATION:

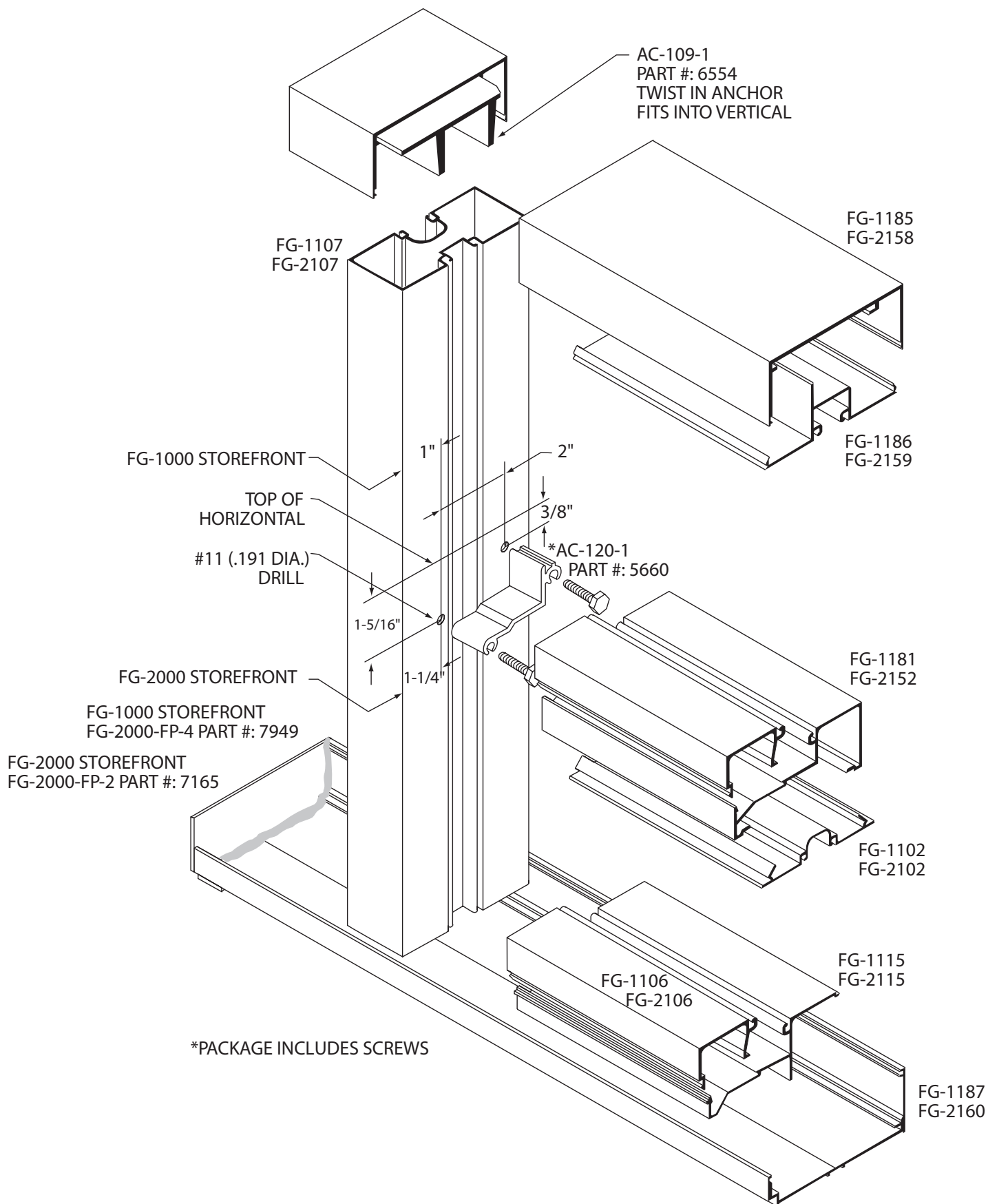
Prior to glazing, fill sill cavity with water to assure that end dams and anchors are sealed.

### STACK SYSTEM ANCHORING

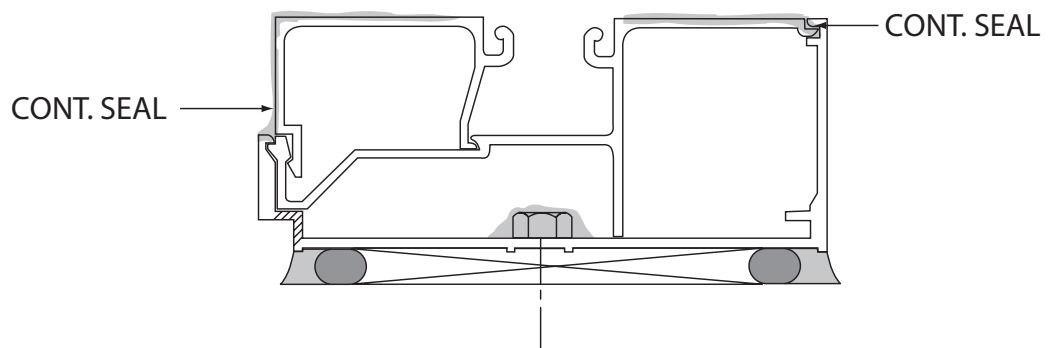
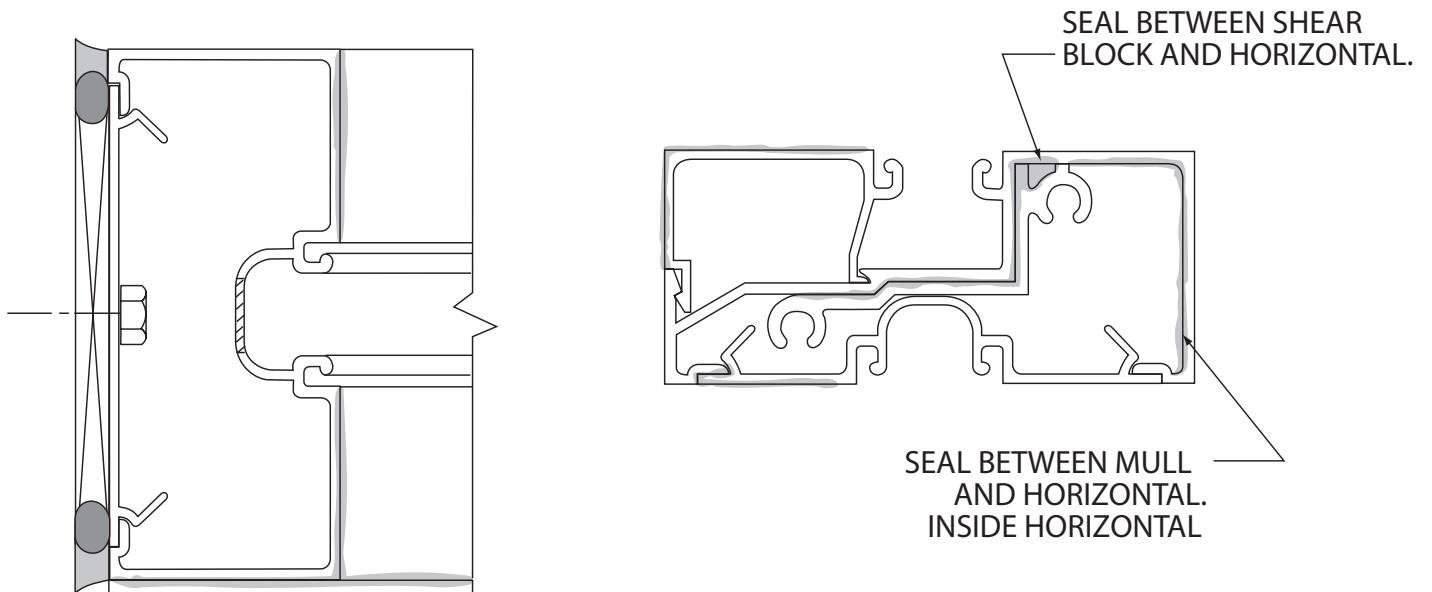
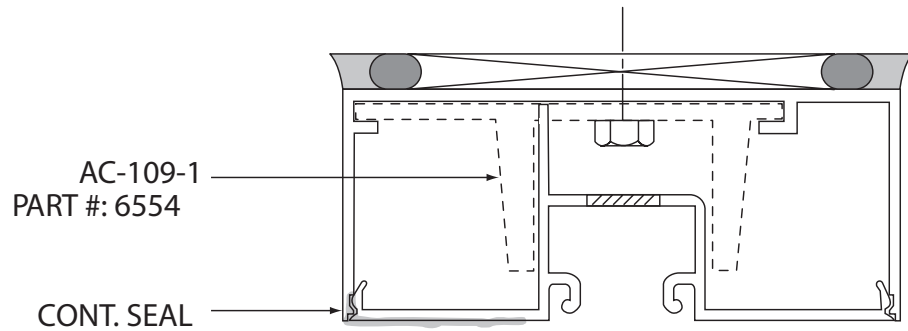


# FG-1000 / FG-2000 INSTALLATION MANUAL

## STACK SYSTEM FRAME ASSEMBLY AND INSTALLATION

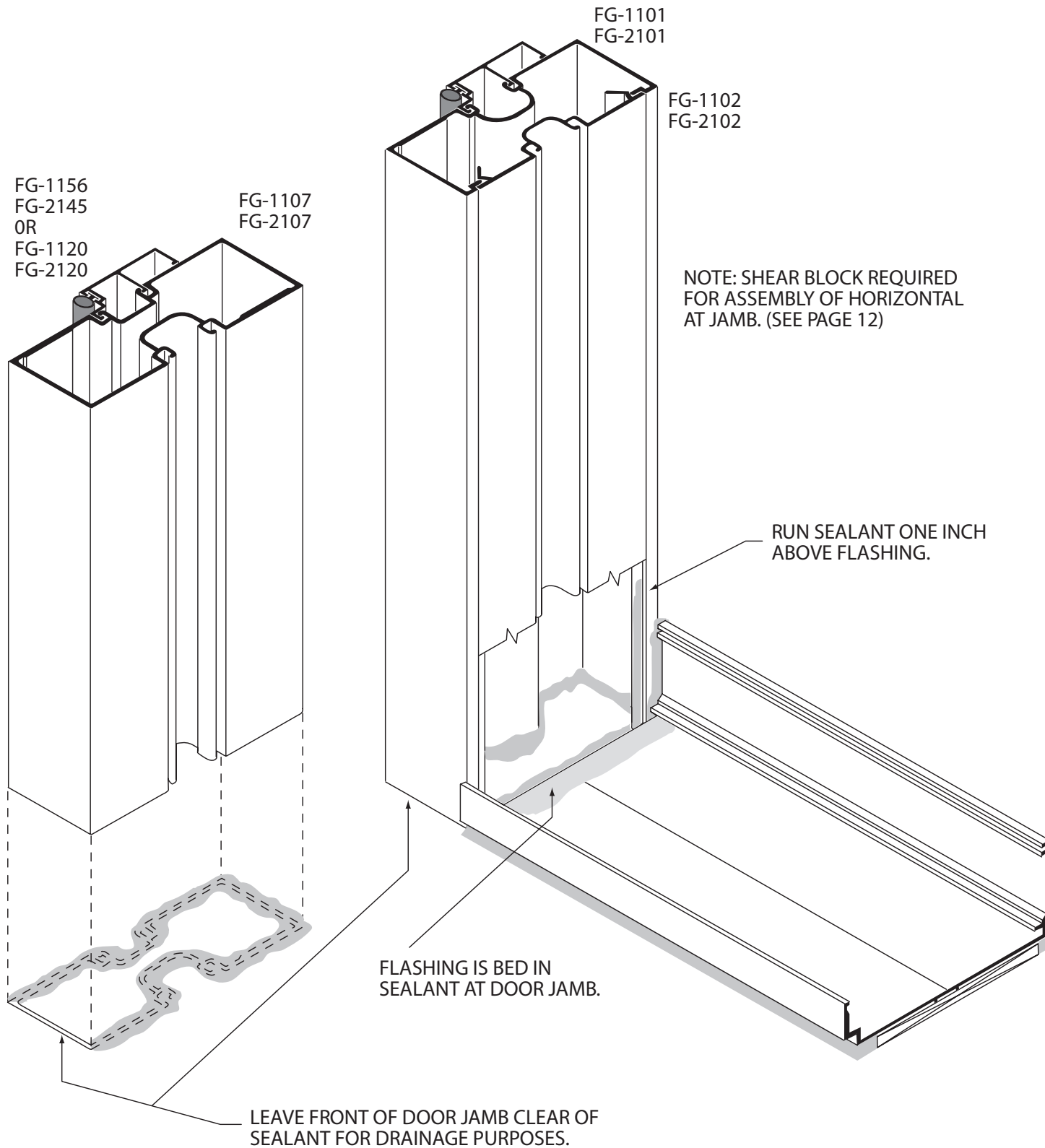


**STACK SYSTEM SEALANT PROCEDURES**



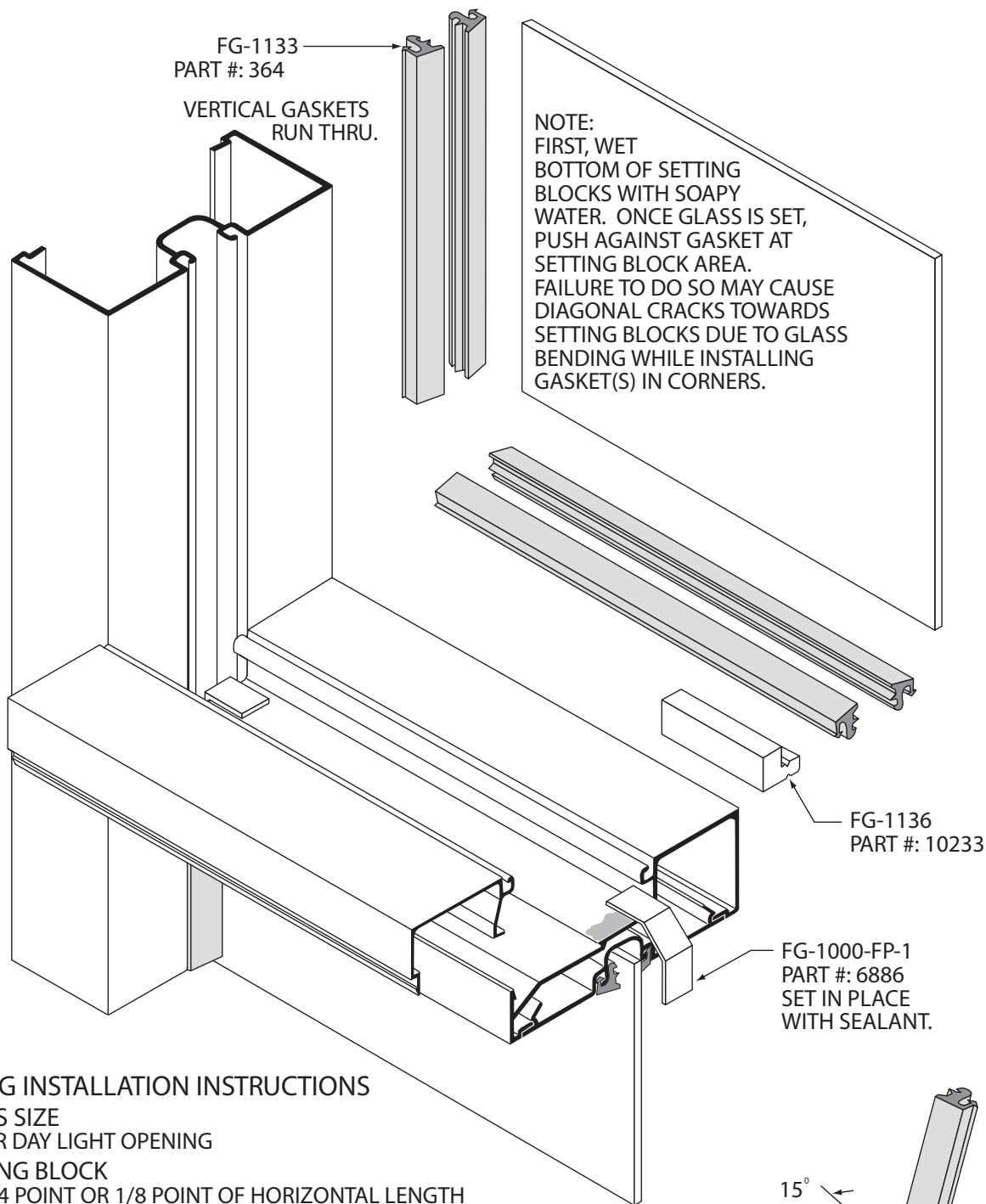
NOTE: THE NATURE OF THE STACK SYSTEM REQUIRES CARE WHEN APPLYING SEALANTS AS SHOWN TO ENSURE PERFORMANCE LEVELS SHOWN IN THE TEST REPORT.

## STACK SYSTEM SEALANT PROCEDURE FOR DOOR FRAME AT FLASHING



DOOR FRAME IS ANCHORED BY FASTENERS THROUGH THRESHOLD AND THROUGH DOOR FRAME HEADER.

## STACK SYSTEM GLAZING PROCEDURE



### GLAZING INSTALLATION INSTRUCTIONS

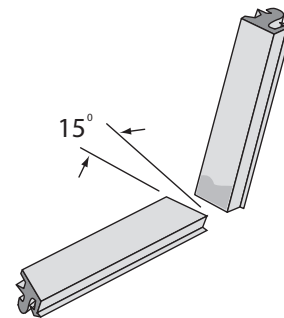
**GLASS SIZE**  
5/8" OVER DAY LIGHT OPENING

**SETTING BLOCK**  
SET AT 1/4 POINT OR 1/8 POINT OF HORIZONTAL LENGTH  
DEPENDING ON LITE SIZE.

**WATER DIVERTERS**  
GLAZE FROM BOTTOM TO TOP. INSTALL WATER DIVERTERS IN  
HORIZONTAL ABOVE, AFTER LITE BELOW IS IN POSITION.

**GLAZING GASKET**  
GASKET MAY BE INSTALLED ON ONE OR BOTH SIDES  
SIMULTANEOUSLY. PROVIDE 1/4" ADDITIONAL GASKET FOR  
EACH FOOT OF DAYLIGHT OPENING TO PROVIDE ADEQUATE  
COMPRESSION FOR THE GLAZING INFILL.

**NOTE:** CLEAN GASKET WITH ISOPROPYL ALCOHOL PRIOR TO  
SEALING CORNERS.



MITER HORIZONTAL GASKET  
TO FIT VERTICAL GASKET.



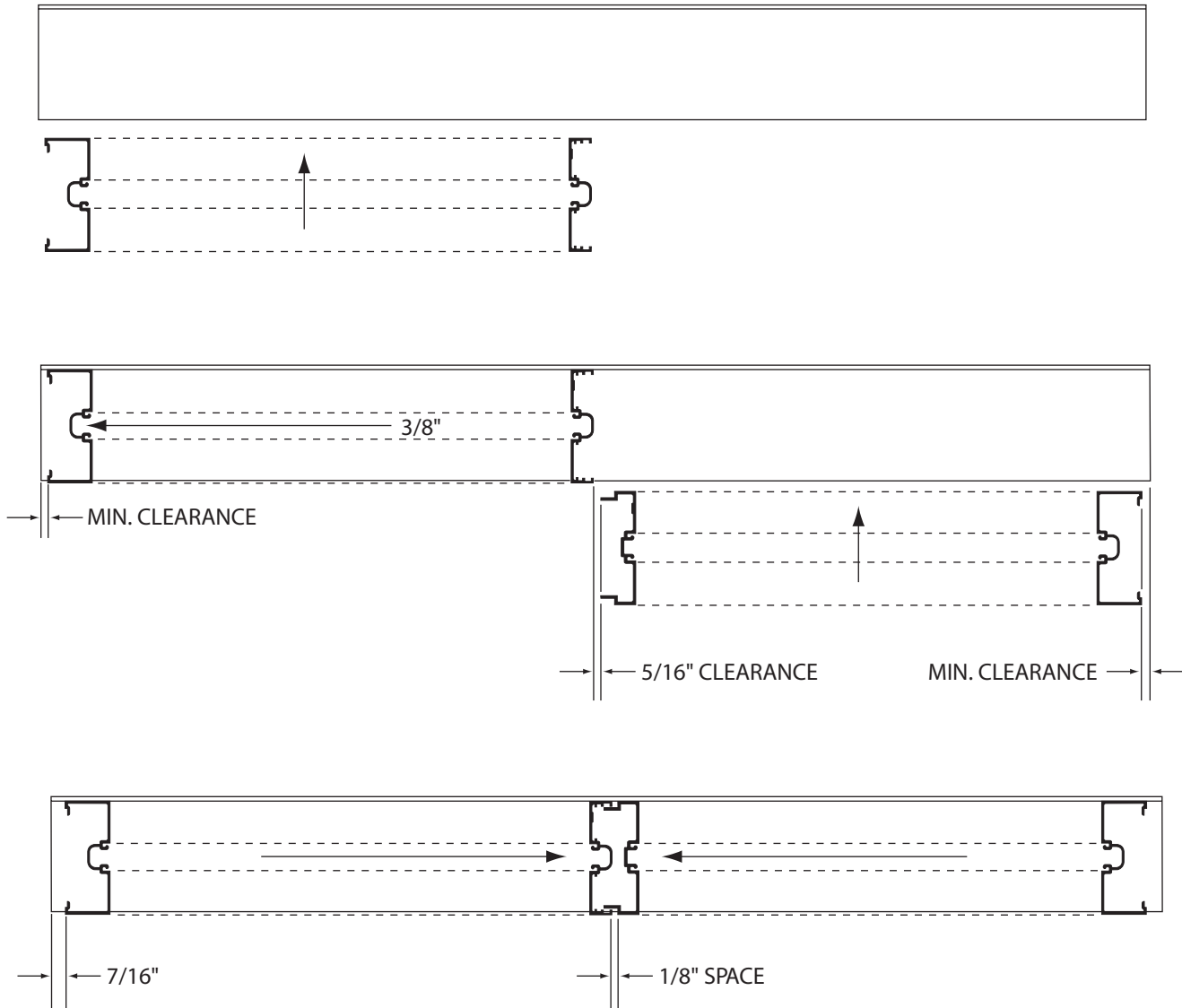
## FG-2000: INSIDE GLAZE, SCREW SPLINE FRAME ASSEMBLY

Most of the extrusions in this system are the same, only the sill and its anchors are different. Notice also, that the tapes used for sealing the horizontals to mullions are located in a different manner.

The sill is designed so that the sill anchors may be cap sealed before the frame is installed. The frame is installed over the sill twist-in anchors. This prevents any additional screws from penetrating the sill and causing leaks under the sill.

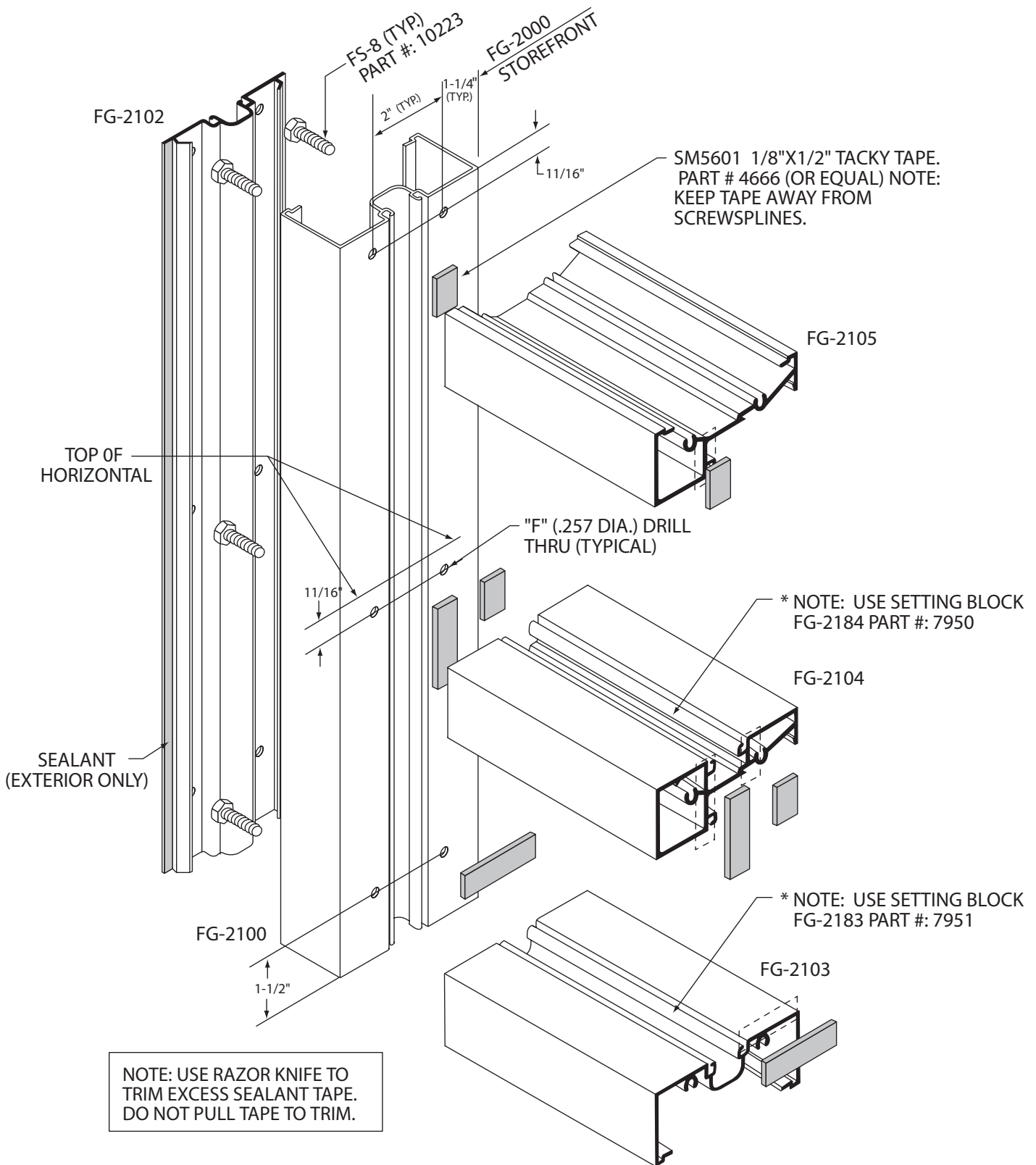
Multiple units require the use of split mullions. A minimum of  $7/16$ " clearance between the jamb and sill end dam must be provided. This will provide a minimum of  $3/8$ " clearance to move first unit side-ways to the second unit with the same clearance will clear interlocking legs of the expansion mull.

Adjust frame locations before running perimeter seals. Oldcastle BuildingEnvelope® recommends using FG-2188 vinyl filler to improve the perimeter seal.



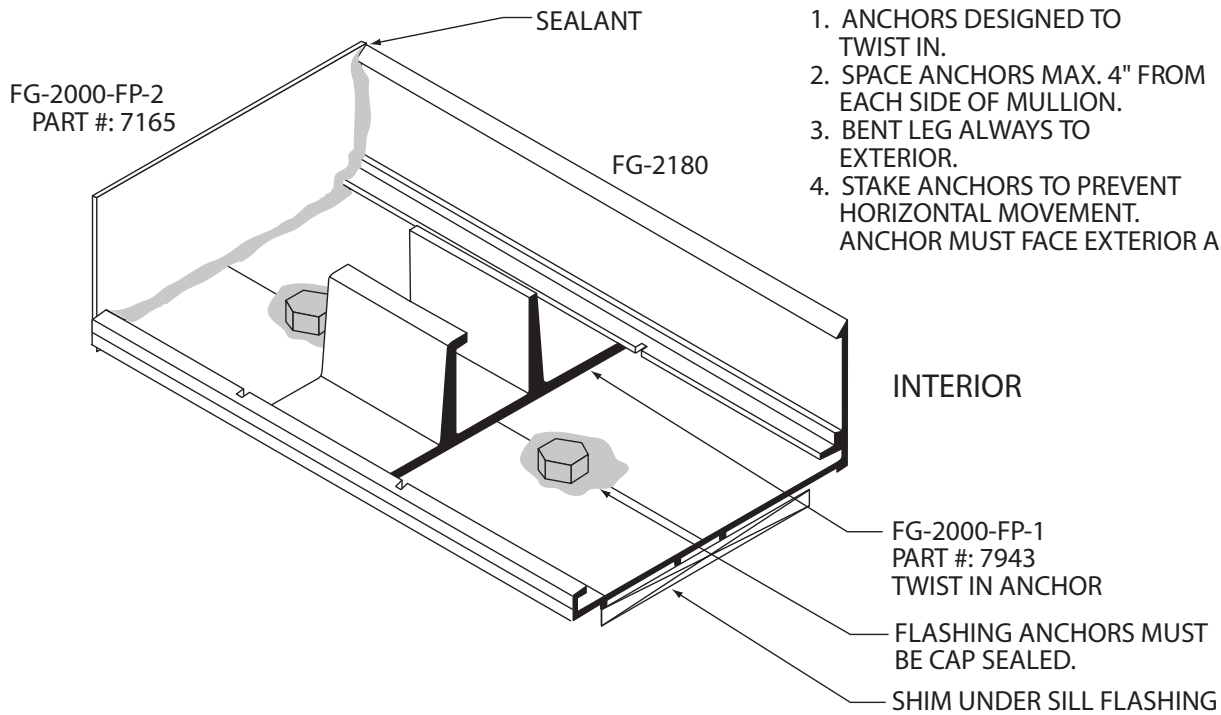
# FG-1000 / FG-2000 INSTALLATION MANUAL

## FG-2000 INSIDE GLAZE SCREW SPLINE FRAME ASSEMBLY



FOR FASTER, MORE ACCURATE HOLE FABRICATION, WE RECOMMEND THE OLDCASTLE BUILDING ENVELOPE® EZ PUNCH FABRICATION TOOL. DJ-5 DRILL FIXTURE PART # 4562 IS ALSO AVAILABLE TO AID FABRICATION FOR SCREW SPLINE FRAME ASSEMBLY.

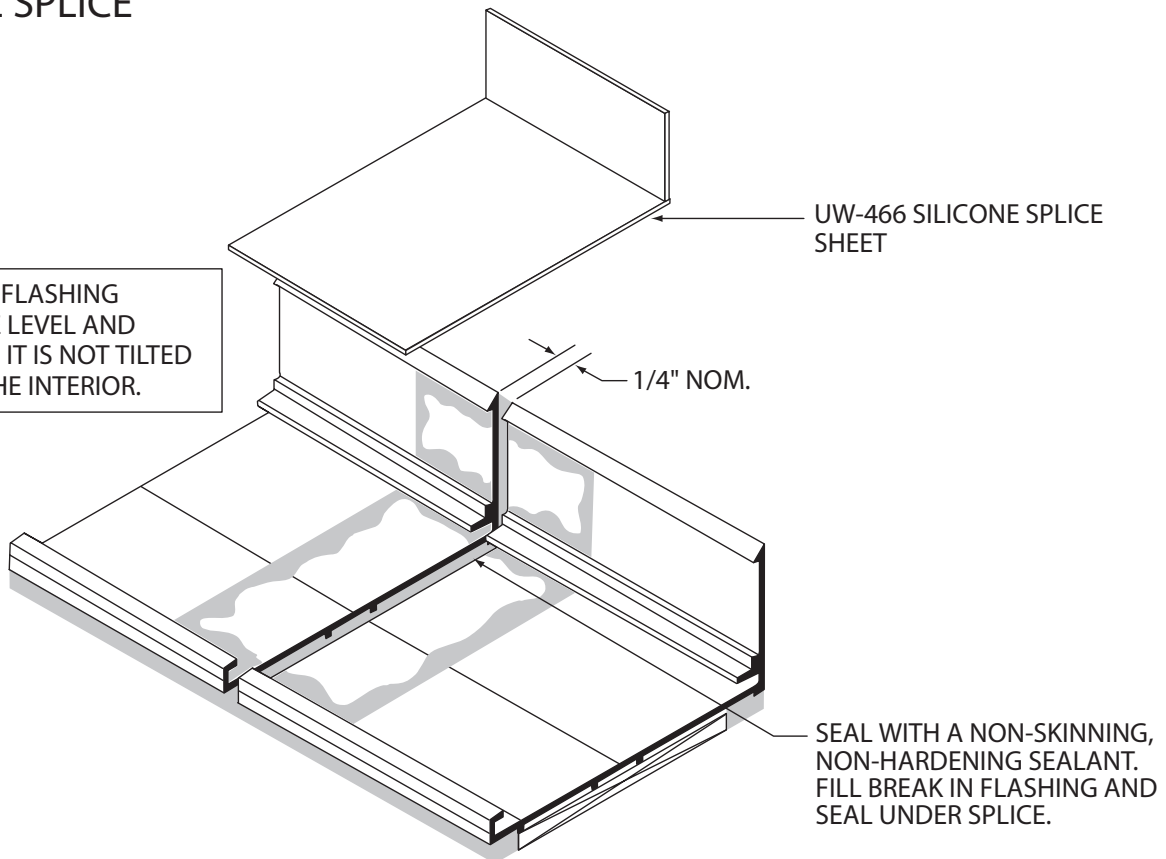
## INSIDE GLAZE SILL FLASHING INSTALLATION



1. ANCHORS DESIGNED TO TWIST IN.
2. SPACE ANCHORS MAX. 4" FROM EACH SIDE OF MULLION.
3. BENT LEG ALWAYS TO EXTERIOR.
4. STAKE ANCHORS TO PREVENT HORIZONTAL MOVEMENT. ANCHOR MUST FACE EXTERIOR AS SHOWN.

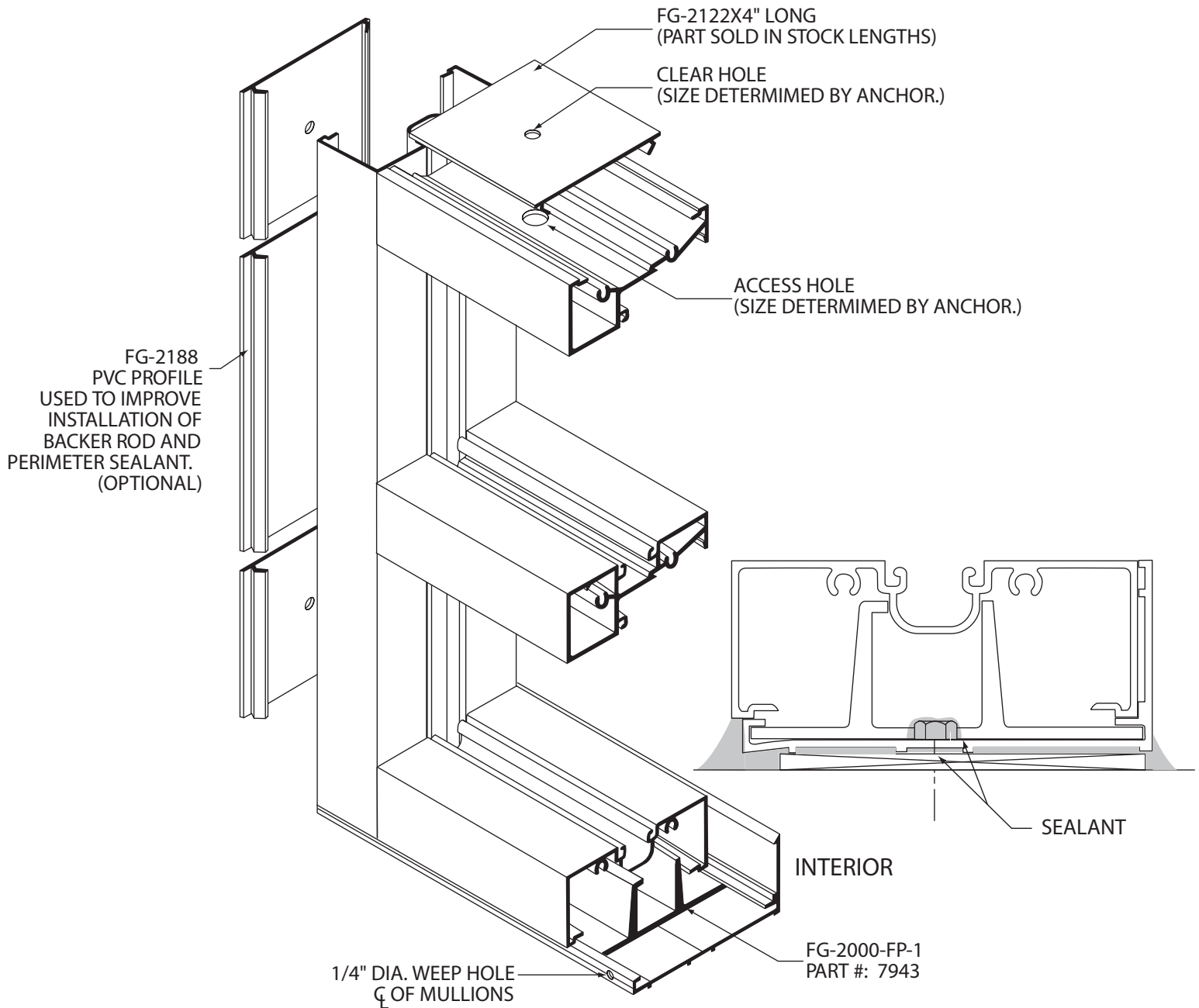
## SILL SPLICE

NOTE: SILL FLASHING SHOULD BE LEVEL AND MAKE SURE IT IS NOT TILTED TOWARD THE INTERIOR.



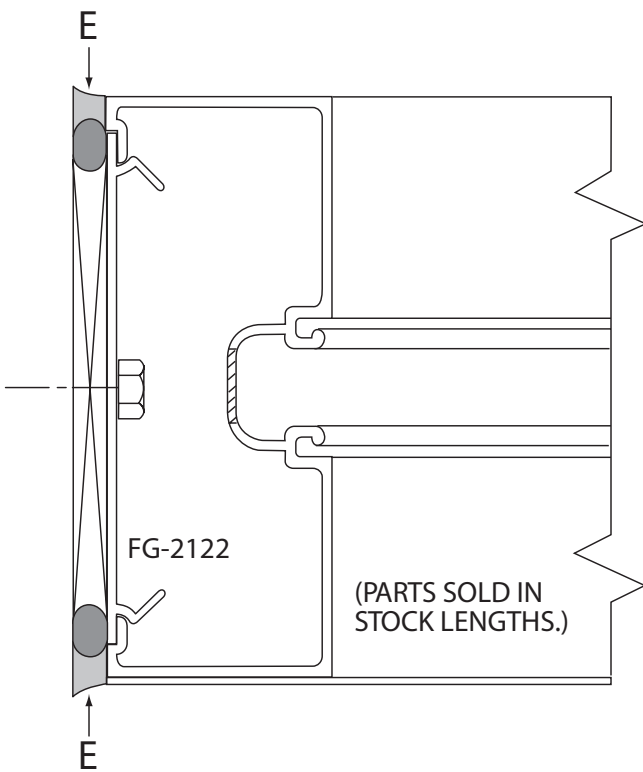
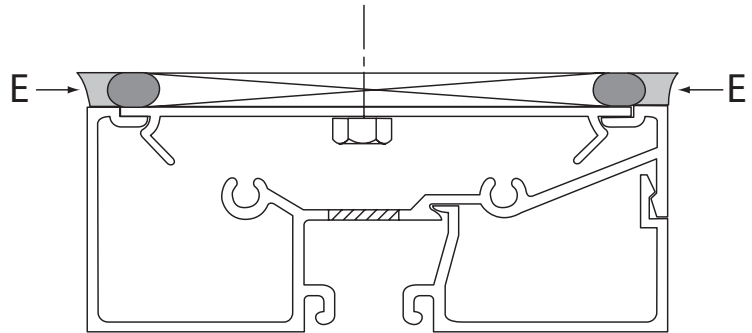
# FG-1000 / FG-2000 INSTALLATION MANUAL

## INSIDE GLAZE FRAME INSTALLATION



ANCHOR SIZE AND FREQUENCY SHOULD BE DETERMINED BY STRUCTURAL REQUIREMENTS. SILL ANCHORS FG-2000-FP-1 AND HEAD ANCHORS FG-2122 SHOULD BE LOCATED SO THAT THE ANCHOR IS NOT MORE THAN 4" FROM EACH SIDE OF THE MULLION.

## INSIDE GLAZE SILL INSTALLATION AND PERIMETER SEAL



### SHIM UNDER SILL FLASHING

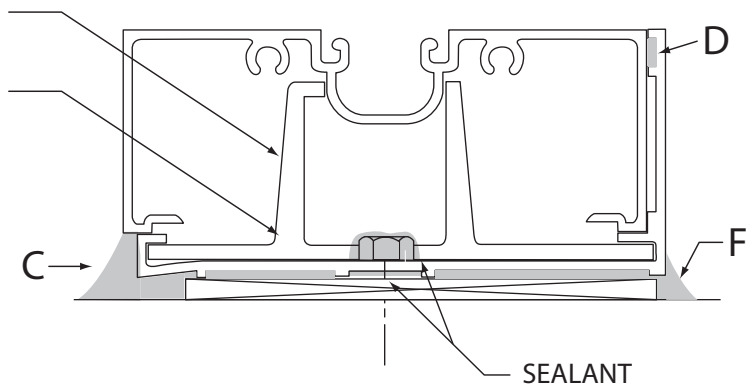
SPACE BETWEEN SILL AND FLASHING (C) TO BE CONTINUOUSLY SEALED EXCEPT FOR 1/4" DIA. WEEP HOLE UNDER VERTICAL MULLIONS FOR WEEPAGE. ONCE THE WALL IS SECURED, SEAL GROOVE (D) BETWEEN SILL FLASHING AND BACK OF SILL FLASHING AND BACK OF SILLS.

THE QUALITY OF THE INSIDE AND OUTSIDE PERIMETER SEALS (C AND E) MAY BE IMPROVED BY USING FG-1192 RIGID PVC FILLER. THE PART MAY BE USED IN FULL LENGTHS OR CUT INTO PIECES. ITS PURPOSE IS TO PROVIDE SUPPORT FOR THE BACKER ROD REGARDLESS OF JOINT OR SIZE. PERIMETER SEAL (F) IS FOR COSMETIC PURPOSES AND IS OPTIONAL.

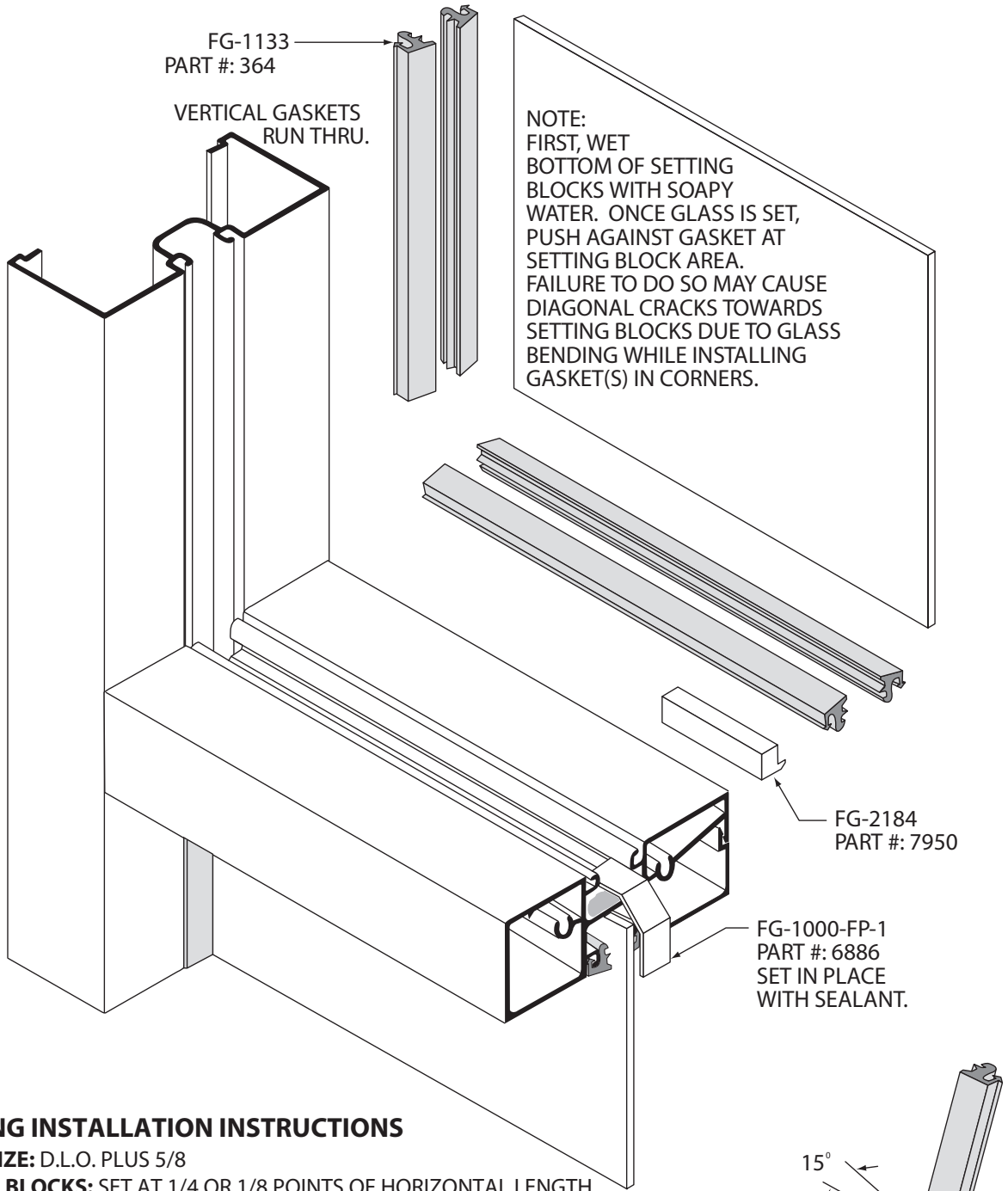
THIS LEG MUST BE TO THE EXTERIOR

FG-2000-FP-1  
PART #: 7943

NOTE: 1/4" WEEP HOLE REQUIRED IN FLASHING (C) AT CENTER LINE OF MULLION.



## INSIDE GLAZE GLAZING PROCEDURE



### GLAZING INSTALLATION INSTRUCTIONS

**GLASS SIZE:** D.L.O. PLUS 5/8

**SETTING BLOCKS:** SET AT 1/4 OR 1/8 POINTS OF HORIZONTAL LENGTH DEPENDING ON LITE SIZE.



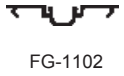

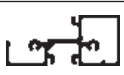






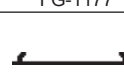
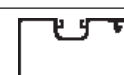
**WATER DIVERTERS:** GLAZE FROM BOTTOM TO TOP, INSTALLING DIVERTERS IN HORIZONTAL ABOVE AFTER LITE BELOW IS IN POSITION.



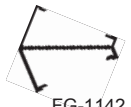



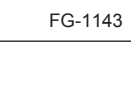
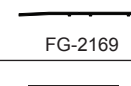
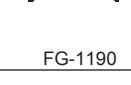
**GLAZING GASKET:** GASKET MAY BE INSTALLED ON ONE OR BOTH SIDES SIMULTANEOUSLY. PROVIDE 1/4" ADDITIONAL GASKET FOR EACH FOOT OF DAYLIGHT OPENING TO PROVIDE ADEQUATE COMPRESSION FOR THE GLAZING INFILL. NOTE: CLEAN GASKET WITH ISOPROPYL ALCOHOL PRIOR TO SEALING CORNERS.

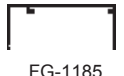

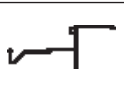
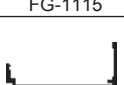


MITER HORIZONTAL GASKET  
TO FIT VERTICAL GASKET.

# FG-1000 / FG-2000 INSTALLATION MANUAL

## FG-1000 PARTS LIST











ITEM	DESCRIPTION
 FG-1100	Open back mullion/jamb
 FG-1101	Heavy open back mullion
 FG-1102	Open back filler
 FG-1103	Open back head/mullion
 FG-1104	Intermediate horizontal
 FG-1105	Open back sill/horizontal
 FG-1106	Glass stop
 FG-1108	Expansion mullion/jamb (requires FG-1109)
 FG-1109	Expansion mullion (requires FG-1108)
 FG-1176	Adjustable mullion 2° to 10° mates with FG-1177
 FG-1177	Adjustable mullion 2° to 10° mates with FG-1176
 FG-1122	Open back flat filler
 FG-1110	Self mating 180° post




ITEM	DESCRIPTION
 FG-1111	90° Corner mates with FG-1112
 FG-1112	Self mating flat corner post
 FG-1142	135° / 45° Corner use FG-1102 filler
 MO-242	4" Head receptor V-11 weathering not included
 MO-244	Head receptor face V-11 weathering not included
 FG-1143	Head receptor V-11 weathering not included
 FG-2169	Sub-sill (high back)
 FG-1190	Snap-in pocket filler
 RS-3	Steel reinforcement painted finish

ITEM	DESCRIPTION
 FG-1185	Head receptor
 FG-1186	Head insert
 FG-1115	Sill insert
 FG-1187	Sill receptor
 FG-1181	Open back horizontal (use AC-120-1 clip)
 FG-1107	Mullion

# FG-1000 / FG-2000 INSTALLATION MANUAL

## FG-1000 PARTS LIST














ITEM	DESCRIPTION
 FG-1118	Open back door jamb weathering not included
 FG-1119	Open back tube
 FG-1124	Door header
 FG-1060	Screw spline door header for FG-1118 weathering not included
 F-1	1-3/4" X 4" Tube
 FG-1156	Standard door stop nominal 1/2" X 1/2" with weathering
 FG-1120	1/2" X 1-3/8" Snap-in door stop with weathering
 DS-1	1/2" X 1-5/8" Door stop with weathering (use SC-1 clip)
 DS-108	3/4" X 1-5/8" Door stop with weathering (use SC-1 clip)
 DS-104	1-3/16" X 1-5/8" Door stop with weathering. Uses SC-1 Clip (plus FS-201 @ pairs)

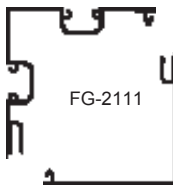
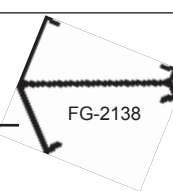
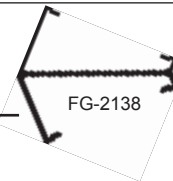




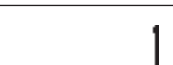


ITEM	DESCRIPTION
 FG-1123	Slide in pocket filler (required for lock cutouts)
 S-52	Glass stop for S-53 sash
 S-53	1-3/4" X 1-1/8" Sash









# FG-1000 / FG-2000 INSTALLATION MANUAL

## FG-2000 PARTS LIST







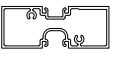


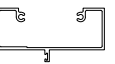


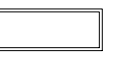


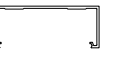







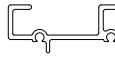


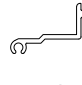
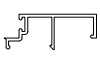
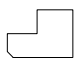
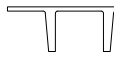
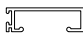


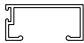
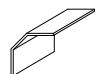

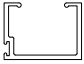

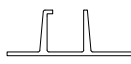




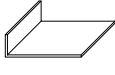

ITEM	DESCRIPTION
 FG-2100	Open back mullion/jamb
 FG-2101	Heavy open back mullion
 FG-2102	Open back filler
 FG-2103	Open back head/mullion
 FG-2104	Intermediate horizontal
 FG-2105	Open back sill/horizontal
 FG-2106	Glass stop
 FG-2108	Expansion mullion/jamb (requires FG-2109)
 FG-2109	Expansion mullion (requires FG-2108)
 FG-2154	Adjustable mullion 2° to 10° mates with FG-1177
 FG-2155	Adjustable mullion 2° to 10° mates with FG-1176
 FG-2122	Open back flat filler
 FG-2110	Self mating 180° post

ITEM	DESCRIPTION
 FG-2111	90° Corner mates with FG-2112
 FG-2112	Self mating flat corner post
 FG-2138	135° / 45° Corner use FG-2140 or 2102 filler
 FG-2140	Deep pocket filler for FG-2138
 MO-243	4" Head receptor V-11 weathering not included
 MO-244	Head receptor face V-11 weathering not included
 FG-2169	Sub-sill (high back)
 FG-2180	Sub-sill (inside glaze)
 FG-1190	Snap-in pocket filler
 RS-1	Steel reinforcement painted finish

ITEM	DESCRIPTION
 FG-2158	Head receptor
 FG-2159	Head insert
 FG-2115	Sill insert
 FG-2160	Sill receptor
 FG-2152	Open back horizontal (use AC-120-1 clip)
 FG-2107	Mullion









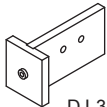
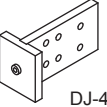
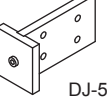
# FG-1000 / FG-2000 INSTALLATION MANUAL

## PARTS LIST

 FG-2118	Open back door jamb weathering not included	 S-53	1-3/4" x 1-1/8" Sash	 SM5601	Joint sealant tape 1/8" x 1/2"
 FG-2119	Open back tube	 FG-1133	1" Glazing Gasket	 FG-1192	FG-1000 Vinyl filler for caulk stop (12'-1")
 FG-2124	Door header for surface closer	 FG-1134	Light Gasket	 FG-2188	FG-2000 Vinyl filler for caulk stop (12'-1")
 FG-2021	Screw spline door header with fin for FG-2118 weathering not included	 FG-5125	Heavy Gasket	 AC-100-1	Shear Block
 F-16	Tubular door header for concealed closer	 V-11	Gasket for expansion mullion & head receptors	 AC-101-1	Shear Block
 FG-2128	Open back door header for concealed closer	 D-125	Weatherseal gasket for air tight entrance applications	 AC-103-1	Shear Block
 FG-1129	Snap-in filler for FG-2128	 WP-084	Weatherstripping for entrance application	 AC-104-1	Shear Block
 FG-1184	Snap-in filler for FG-2128 with weathering	 WP-083	Weatherstripping for entrance application	 AC-106-1	Shear Block
 FG-2145	Standard door stop nominal 1/2" x 7/8" with weathering	 FG-1136	Standard FG-1000 & FG-2000 setting block	 AC-120-1	Shear Block
 FG-2120	1/2" x 1-5/8" Snap-in door stop with weathering	 FG-2184	Inside glaze setting block for FG-2104	 AC-109-1	Twist-in head anchor
 DS-1	1/2" x 1-5/8" door stop with weathering (use SC-1 clip)	 FG-2183	Inside glaze setting block for FG-2103	 FG1000-FP-3	Sill anchor for FG-1000
 DS-108	3/4" x 1-5/8" door stop with weathering (use SC-1 clip)	 FG1000-FP-1	Water diverter for flush glaze horizontals	 FG2000-FP-3	Sill anchor for FG-2000
 DS-104	1-3/16" x 1-5/8" door stop with weathering (use SC-1 clip plus FS-201 @ pairs)	 UW-466	2" wide silicone sheet for splicing of sill receptors	 FG2000-FP-1	Twist-in sill anchor
 FG-1123	Slide-in pocket filler (required for lock cutouts)	 FG2000-FP-4	End Dam for FG-2169	 GP-151	Side block for deep pocket
 S-52	Glass stop for S-53 sash	 FG2000-FP-2	End Dam for FG-2180	 GP-153	Side block for shallow pocket

# FG-1000 / FG-2000 INSTALLATION MANUAL

## FG-1000 & 2000 ACCESSORIES

ITEM	DESCRIPTION
 SC-1	Spring clip for DS-1 and DS-108
 FS-2	#8 X 1/2" P.F.H.S.M.S. anchors S-53
 FS-8	#14 X 1" H.H.S.T.S. FG assembly screw
 FS-10	#14 X 1-3/4" P.F.H.W.S. anchors FG thru pocket
 FS-11	#14 X 3" FS-11 P.F.H.W.S. CLR. anchors FS-11 tubes BRZ.
 FS-12	#14 X 1" plastic plug
 FS-15	3/16" dia. X 7/16" Drive rivet anchors SC-1 clip
 FS-201	#10 X 2" FS-201 PFH CLR. attaches FS-201 DS-104 BRZ.
 DJ-3	Drill fixture for AC-100-1 & AC-101 horizontal shear blocks
 DJ-4	Drill fixture for AC-103-1 & AC-104-1 head & sill shear blocks
 DJ-5	Drill fixture for screw spline assembly